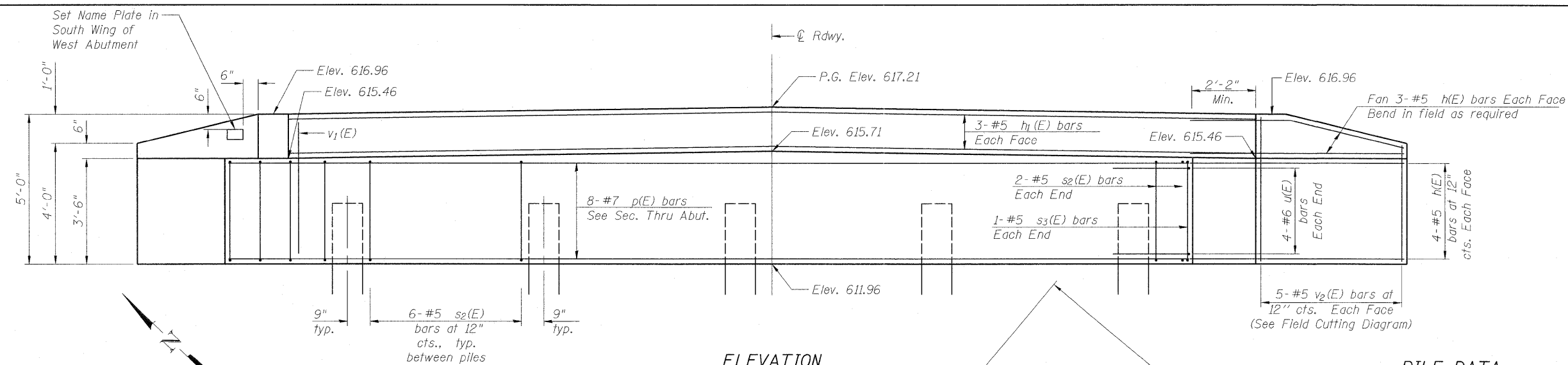


**TWO ABUTMENTS
BILL OF MATERIAL**

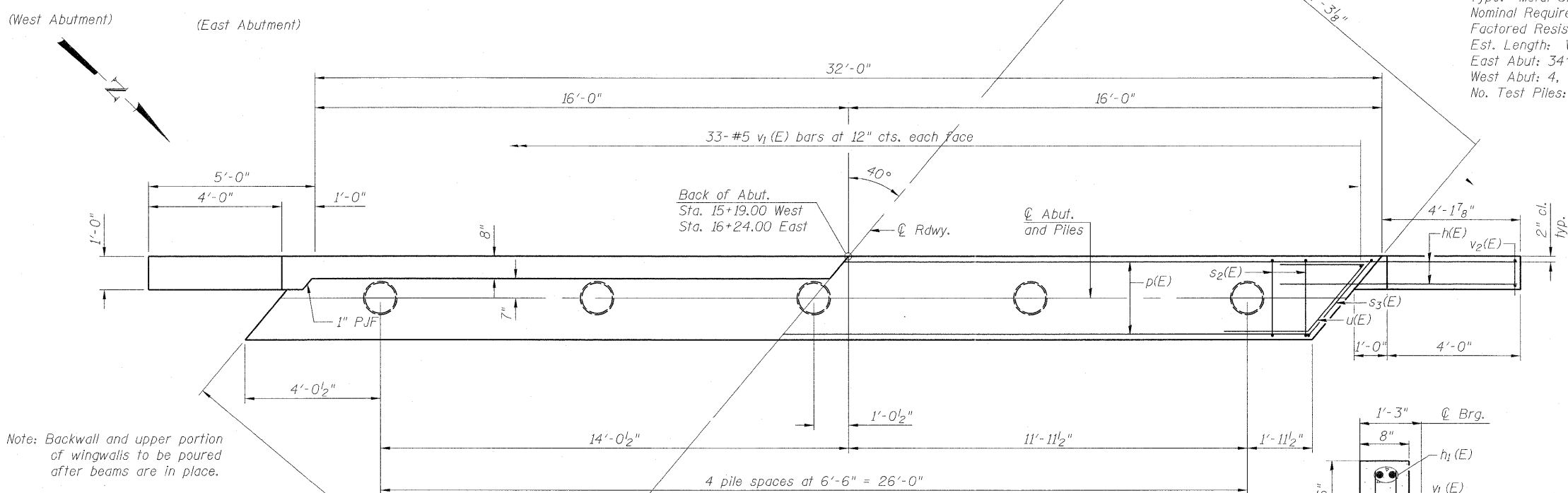
Bar	No.	Size	Length	Shape
h(E)	56	#5	7'-3"	—
h ₁ (E)	12	#5	31'-8"	—
p(E)	16	#7	31'-8"	—
s ₂ (E)	56	#5	11'-7"	□
s ₃ (E)	4	#5	12'-11"	□
u(E)	16	#6	7'-7"	┘
v ₁ (E)	132	#5	4'-4"	—
v ₂ (E)	20	#5	8'-4"	—
Structure Excavation Cu. Yd. 28.0				
Concrete Structures Cu. Yd. 26.8				
Reinforcement Bars, Epoxy Coated Pound 3,540				
Furnishing				
Metal Shell Piles Foot 290				
12" φ x 0.25" Nominal Required Bearing: 165 Kips				
Factored Resistance Available: 91 Kips				
Est. Length: West Abut: 30', East Abut: 34' No. Production Piles:				
West Abut: 4, East Abut: 5				
No. Test Piles: 1 (West Abut.)				
Name Plates Each 1				

For details of piles see sheet 8 of 10.

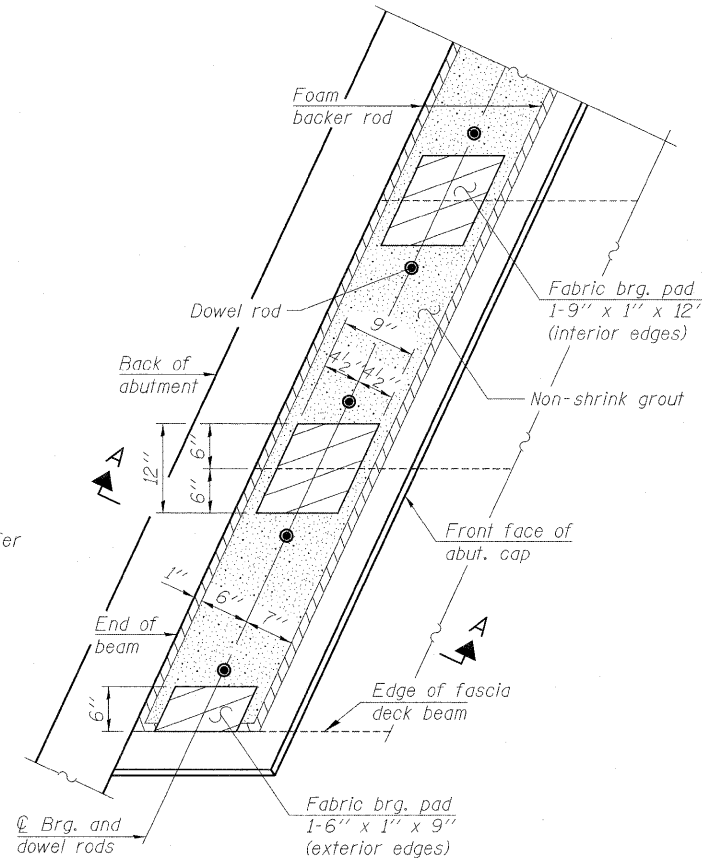


ELEVATION
(Looking @ front face of Abutment)

PILE DATA
Type: Metal Shells, 12" φ x 0.25" wall
Nominal Required Bearing: 165 Kips
Factored Resistance Available: 91 Kips
Est. Length: West Abut: 30', East Abut: 34' No. Production Piles:
West Abut: 4, East Abut: 5
No. Test Piles: 1 (West Abut.)

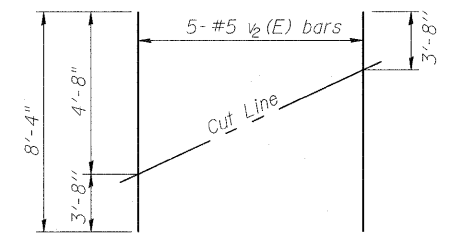


PLAN

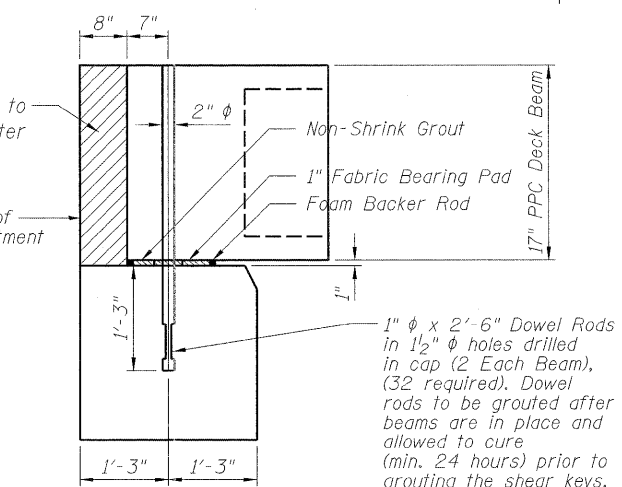


PLAN

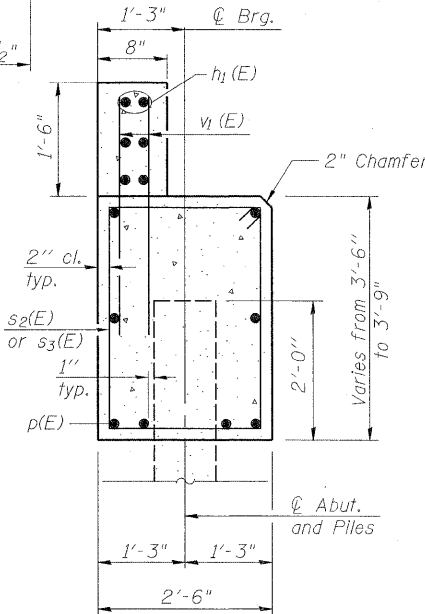
Notes:
The bearing seat surfaces shall be adjusted by shimming the bearing to assure firm and even bearing prior to placement of grout. 2-1/8" fabric adjusting shims of the dimensions of the exterior bearing pad shown shall be provided for each bearing.



FIELD CUTTING DIAGRAM
Order v₂(E) full length. Cut as shown and use remainder of bars in opposite face.



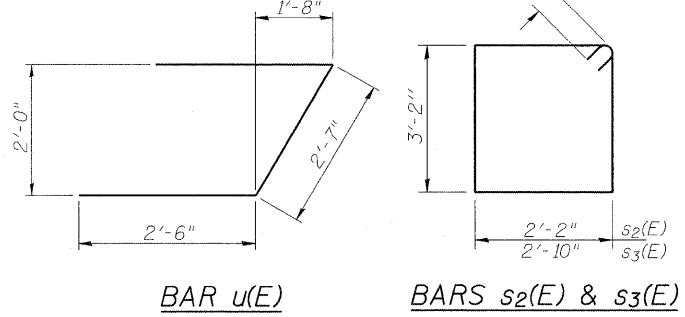
TYP. SEC. AT BEARINGS
Note: All horizontal dimensions are at right angles to beam ends.



SEC. THRU ABUT.



AI-R 7-1-10



**STATE OF ILLINOIS
DEPARTMENT OF TRANSPORTATION**

**ABUTMENTS
STRUCTURE NO. 011-3417**

T.R. RTE.	SECTION	COUNTY	TOTAL SHEETS	SHEET NO.
307A	08-04118-00-BR	CHRISTIAN	26	14
				CONTRACT NO. 93367
ILLINOIS FED. AID PROJECT: BR05-0021 (176)				