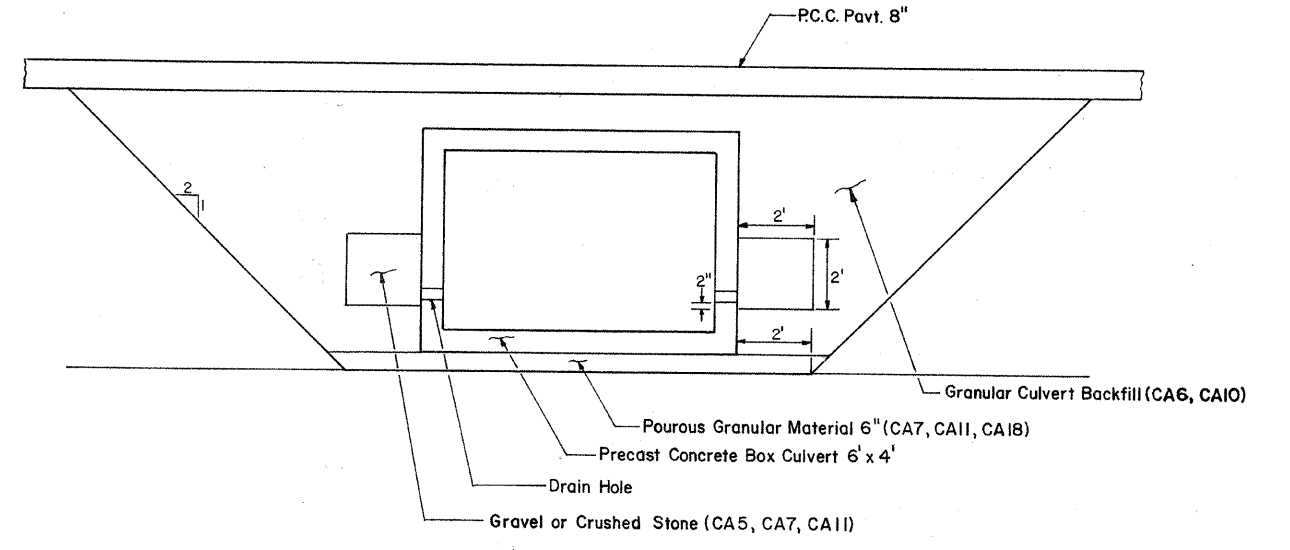
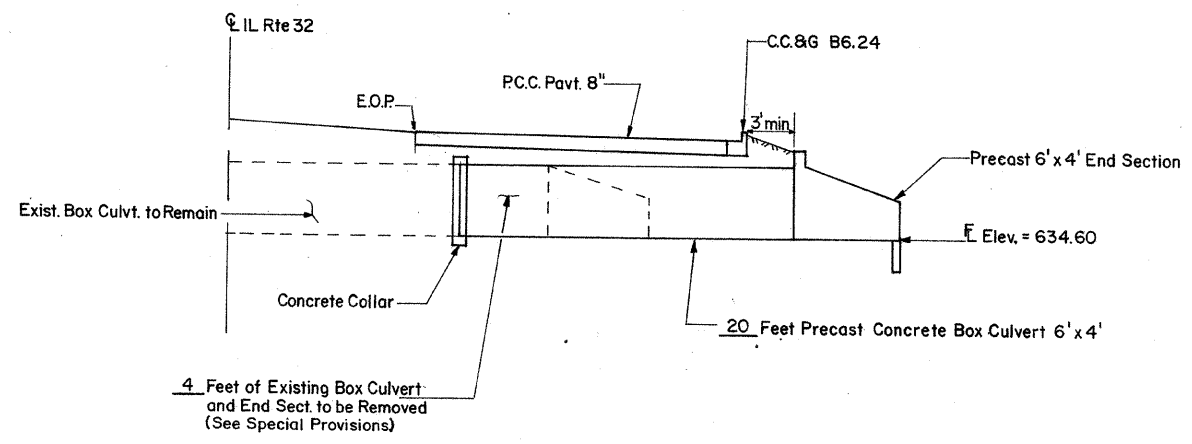


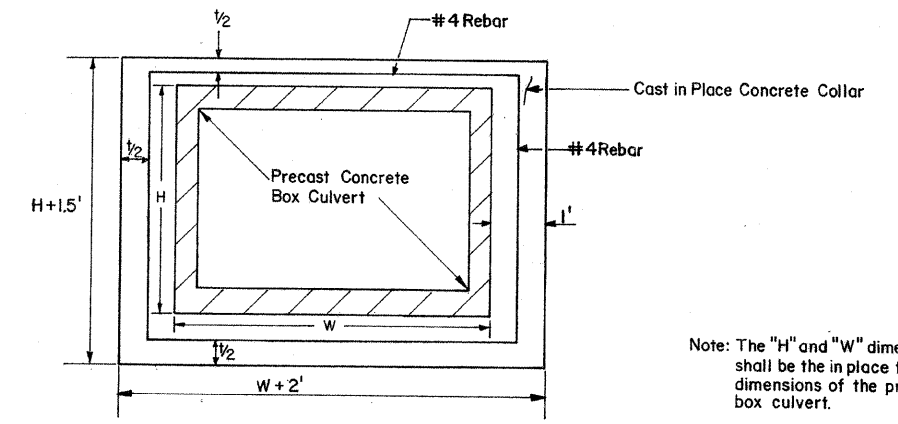
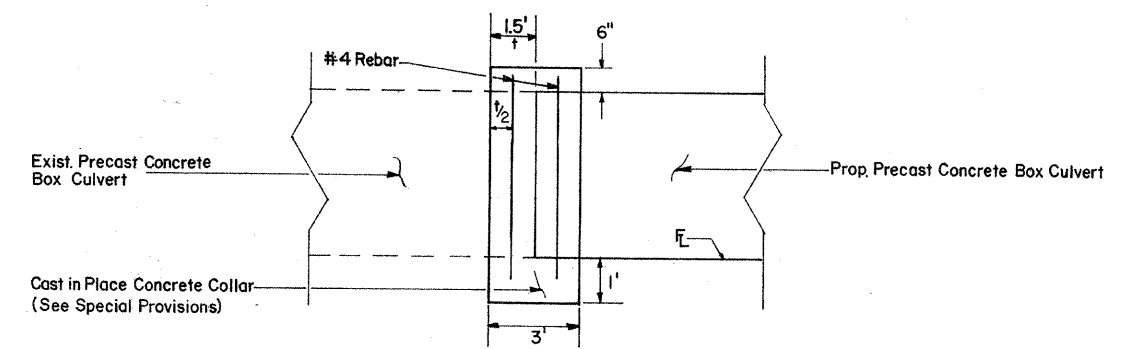
CULVERT EXTENSION PLAN VIEW



BACKFILL DETAILS



CULVERT EXTENSION PROFILE VIEW



Note: The "H" and "W" dimensions shall be the in place field dimensions of the precast box culvert.

CONCRETE COLLAR DETAILS

BILL OF MATERIAL

ITEM	UNIT	QUANTITY
REMOVAL OF EXISTING STRUCTURES NO. 1	EACH	1.0
BOX CULVERT END SECTIONS, CULVERT NO. 1	EACH	1.0
PRECAST CONCRETE BOX CULVERTS 6' X 4'	FOOT	20.0

BOX CULVERT EXTENSION DETAILS

SCALE:	APPROVED BY:	DRAWN BY:
DATE:	REVISION:	
		DRAWING NUMBER: