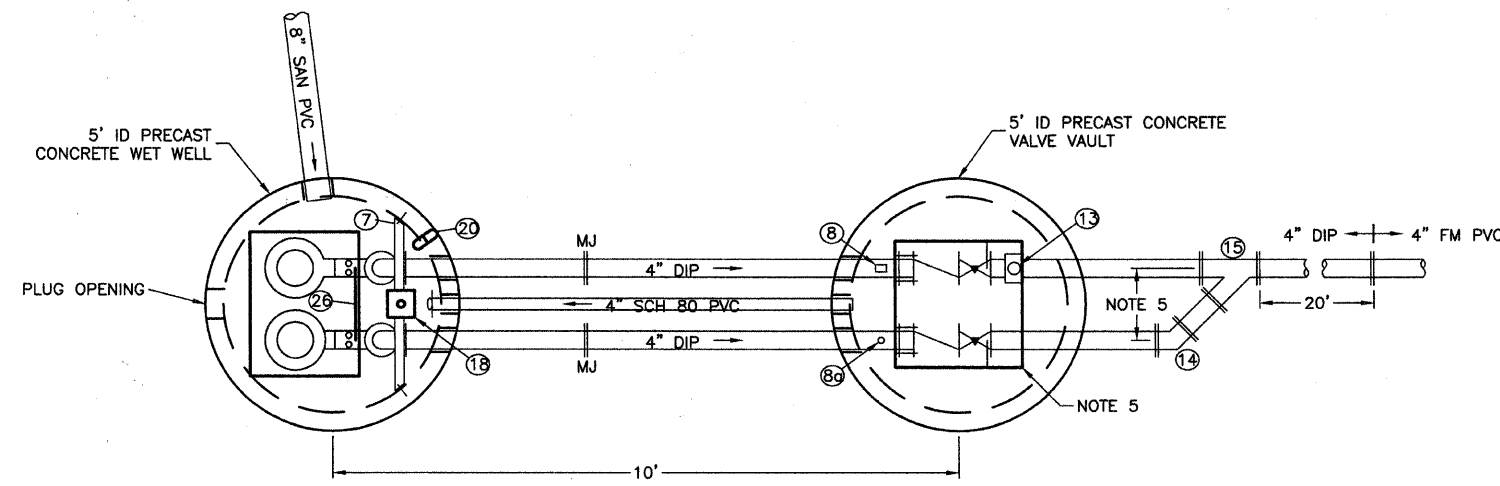
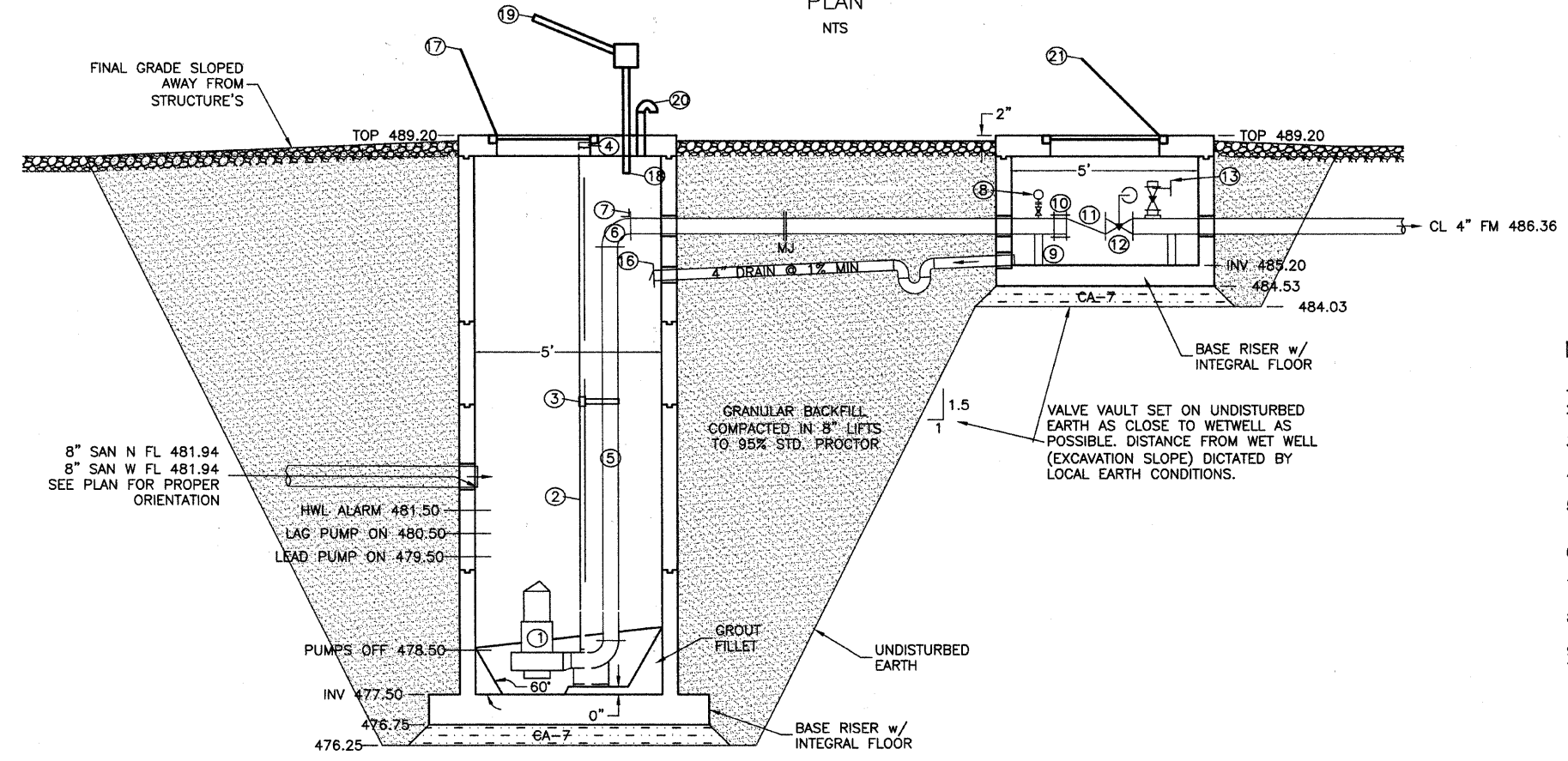


ROUTE	SECTION	CITY	TOTAL SHEETS	SHEET NO.
F.A.U. 8526	10-00054-00-PV	FLORA	34	17A
CONTRACT NO. 95672		ILLINOIS	PROJECT M-5023(011)	



PLAN
NTS



ELEVATION
NTS

LEGEND:

- 1 SUBMERSIBLE PUMP w/ DISCHARGE CONNECTION (EXPLOSION PROOF), 2
- 2 2" GUIDE RAILS (SCH 40 GALV STEEL PIPES CUT TO LENGTH), 4
- 3 INTERMEDIATE GUIDE RAIL BRACKETS (FOR RAILS OVER 20' LONG), 2
- 4 UPPER GUIDE RAIL BRACKET, 2
- 5 4" FL DIP
- 6 4" FL DIP 90° BEND
- 7 2"x2" GALV STEEL ANGLE PIPE THRUST SUPPORT w/ SS ANCHORS, 1
- 8 PRESSURE GAUGE ASSEMBLY INCLUDES 1/2" THR TAP, 1/2" PLUG VALVE, DIAPHRAGM SEAL, PRESSURE GAUGE
- 8a PRESSURE GAUGE ASSEMBLY INCLUDED 1/2" THR TAP & 1/2" PLUG VALVE
- 9 PIPE STAND SUPPORT (THR BASE STAND & ADJ SADDLE SUPPORT w/ YOKE), 2
- 10 FLANGED COUPLING ADAPTER, 2
- 11 4" FL CHECK VALVE, 2
- 12 4" FL PLUG VALVE, 2
- 13 BYPASS PUMP ASSEMBLY INCLUDES 4" TAPPING SADDLE, 4" THR NIPPLE, 4" PLUG VALVE, 4" CAM & GROOVE QUICK CONNECTION
- 14 4" MJ 45° BEND w/ RETAINER GLANDS & THRUST BLOCKED AGAINST UNDISTURBED EARTH, 1
- 15 4" MJ WYE w/ RETAINER GLANDS & THRUST BLOCKED AGAINST UNDISTURBED EARTH, 1
- 16 4" FL COPOLYMER CIRCULAR FLAP VALVE, 1
- 17 48"x30" ALUM HATCH, 1
- 18 FLUSH MOUNT SOCKET BASE, 1
- 19 PORTABLE DAVIT CRANE, 1
- 20 3" GALV STEEL VENT w/ #24 MESH SCREEN, 1
- 21 36"x36" ALUM HATCH
- 26 CABLE HOLDER

NOTES:

- 1 PRECAST CONCRETE WET WELL & VALVE VAULT SHALL BE CONSTRUCTED IN ACCORDANCE WITH ASTM C- 478.
- 2 ALL JOINTS BETWEEN PRECAST CONCRETE ELEMENTS SHALL BE SEALED WITH AN APPROVED BITUMASTIC MATERIAL OR AN APPROVED RUBBER GASKET.
- 3 CONTRACTOR SHALL COORDINATE CONSTRUCTION OF PRECAST FLAT SLAB LIDS w/ HATCH, PUMP, & ELECTRICAL EQUIPMENT MNFRS.
- 4 ALL PIPING ENTERING & LEAVING WET WELL & VALVE VAULT SHALL BE SEALED w/FLEXIBLE RESILIENT CONNECTORS.
- 5 CONTRACTOR SHALL COORDINATE SPACING OF PUMPS & LOCATION OF HATCHES PER PUMP MNFR RECOMMENDATIONS. VALVE VAULT HATCH SHALL GENERALLY BE CENTERED IN LID EXCEPT THAT IT MAY BE OFFSET AS NEEDED TO ENSURE BYPASS PUMP ASSEMBLY IS UNDER HATCH OPENING.
- 6 PUMP DISCHARGE CONNECTION SHALL BE ANCHORED TO THE FLOOR & LEVELED USING ANCHORS PER PUMP MNFR RECOMMENDATIONS. GROUT UNDER DISCHARGE CONNECTION AS SHOWN ON THE DRAWING.
- 7 SUBMERSIBLE PUMPS, LIFT-OUT RAIL ASSEMBLYS, & ELECTRICAL SYSTEMS SHALL BE EXPLOSION PROOF IN COMPLIANCE w/ NEC REQUIREMENTS FOR CLASS 1 GROUP D DIVISION 1 LOCATIONS.
- 8 ALL PUMP DISCHARGE PIPING IN WET WELL AND VALVE VAULT SHALL BE FLANGED DIP. ALL BURIED PUMP DISCHARGE PIPING SHALL BE MECHANICAL JOINT w/ RETAINER GLANDS.
- 9 CONTRACTOR SHALL INSTALL PIPE SUPPORTS UNDER PIPING IN VALVE VAULT.
- 10 ABBREVIATIONS:

MJ MECHANICAL JOINT	ID INSIDE DIAMETER	SAN SANITARY	FM FORCEMAIN
FL FLANGED JOINT	MIN MINIMUM	FL FLOWLINE INV	INVERT
SS STAINLESS STEEL	HWL HIGH WATER LEVEL	CL CENTERLINE	DIP DUCTILE IRON PIPE

SANITARY PUMP STATION MECHANICAL DETAILS

ADDED 4-18-12