

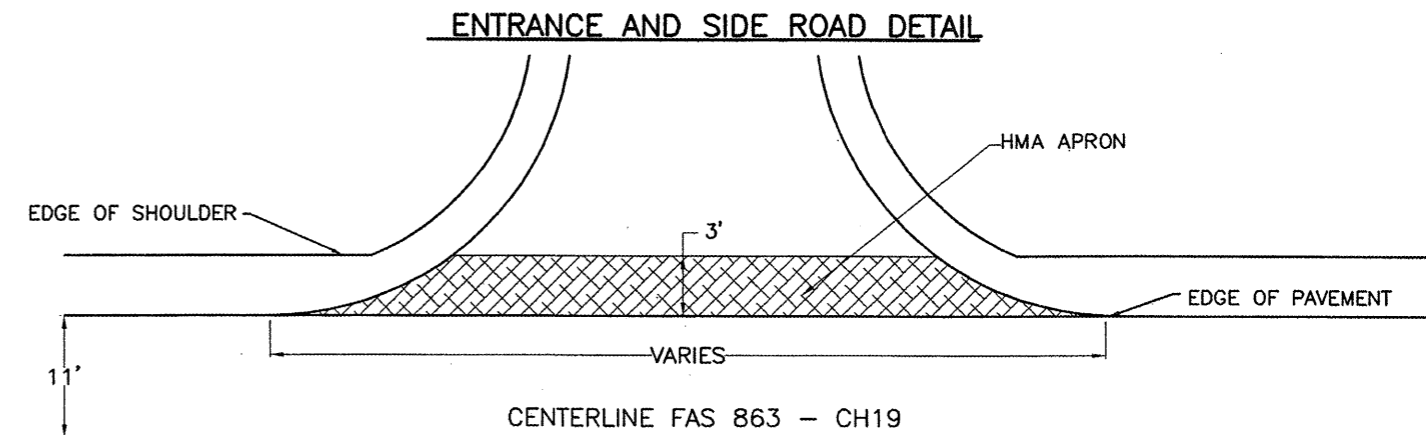
SUMMARY OF QUANTITIES

ROUTE	COUNTY	SECTION	SHEET/OF
FAS 863	RANDOLPH	09-00039-06-RS	2/11
CONTRACT NO. 97490			

PAY ITEM	ITEM	UNIT	QUANTITY
20400800	FURNISHED EXCAVATION	CU YD	1,899
20800150	TRENCH BACKFILL	CU YD	501
25000200	SEEDING, CLASS 2	ACRE	1.2
25000400	NITROGEN FERTILIZER NUTRIENT	POUND	108
25000500	PHOSPHORUS FERTILIZER NUTRIENT	POUND	108
25000600	POTASSIUM FERTILIZER NUTRIENT	POUND	108
25000700	AGRICULTURAL GROUND LIMESTONE	TON	2.4
25100115	MULCH, METHOD 2	ACRE	1.2
28000250	TEMPORARY EROSION CONTROL SEEDING	POUND	120
28000500	INLET AND PIPE PROTECTION	EACH	14
40600100	BITUMINOUS MATERIALS (PRIME COAT)	GALLON	3,557
40600635	LEVELING BINDER (MACHINE METHOD), N70	TON	3,861
40600895	CONSTRUCTING TEST STRIP	EACH	1
40600982	HOT-MIX ASPHALT SURFACE REMOVAL - BUTT JOINT	SQ YD	705.1
40603315	HOT-MIX ASPHALT SURFACE COURSE, MIX "C", N70	TON	4,007
44000153	HOT-MIX ASPHALT SURFACE REMOVAL, 1"	SQ YD	1,312
44201713	CLASS D PATCHES, TYPE I, 6 INCH	SQ YD	49
44201717	CLASS D PATCHES, TYPE II, 6 INCH	SQ YD	139.2
48101200	AGGREGATE SHOULDERS, TYPE B	TON	1,359
542A0241	PIPE CULVERTS, CLASS A, TYPE 1 36"	FOOT	56
542A1069	PIPE CULVERTS, CLASS A, TYPE 2 24"	FOOT	596
542A1081	PIPE CULVERTS, CLASS A, TYPE 2 36"	FOOT	80
542A1093	PIPE CULVERTS, CLASS A, TYPE 2 48"	FOOT	64
542A1105	PIPE CULVERTS, CLASS A, TYPE 2 60"	FOOT	128
542A1909	PIPE CULVERTS, CLASS A, TYPE 3 24"	FOOT	92
54213693	PRECAST REINFORCED CONCRETE FLARED END SECTIONS 48"	EACH	2
54213705	PRECAST REINFORCED CONCRETE FLARED END SECTIONS 60"	EACH	4
*63000001	STEEL PLATE BEAM GUARDRAIL, TYPE A, 6 FOOT POSTS	FOOT	1,775
*63100075	TRAFFIC BARRIER TERMINAL, TYPE 5A	EACH	4
*63100167	TRAFFIC BARRIER TERMINAL TYPE1, (SPECIAL) TANGENT	EACH	18
63200310	GUARDRAIL REMOVAL	FOOT	3,037.5
67100100	MOBILIZATION	L SUM	1
70100450	TRAFFIC CONTROL AND PROTECTION, STANDARD 701201	L SUM	1
70100460	TRAFFIC CONTROL AND PROTECTION, STANDARD 701306	L SUM	1
70106800	CHANGEABLE MESSAGE SIGN	CAL MO	1
70300100	SHORT TERM PAVEMENT MARKING	FOOT	3,831
70300220	TEMPORARY PAVEMENT MARKING - LINE 4"	FOOT	56,695
70301000	WORK ZONE PAVEMENT MARKING REMOVAL	SQ FT	20,175
*78001110	PAINT PAVEMENT MARKING - LINE 4"	FOOT	56,695
*78100100	RAISED REFLECTIVE PAVEMENT MARKER	EACH	237
*78100105	RAISED REFLECTIVE PAVEMENT MARKER (BRIDGE)	EACH	3
*78201000	TERMINAL MARKER-DIRECT APPLIED	EACH	18
AZ0076600	TRAIN FEES	HOURL	500

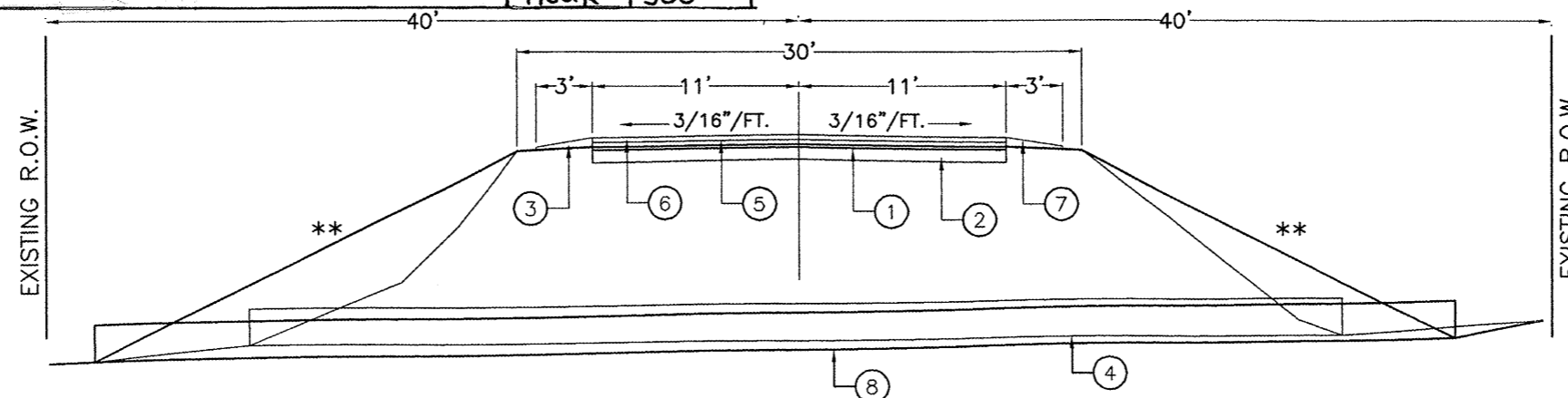
GENERAL NOTES:

1. BITUMINOUS MATERIALS (PRIME COAT) SHALL BE APPLIED AT THE RATE OF 0.075 GALLONS PER SQUARE YARD. EMULSIFIED ASPHALT SHALL BE USED.
2. SHORT-TERM PAVEMENT MARKING SHALL BE APPLIED TO THE LEVELING BINDER AND SURFACE COURSE.
3. PROPOSED PAVEMENT MARKINGS SHALL MATCH EXISTING PAVEMENT MARKINGS.



*** SPECIALTY ITEMS**

Δ 0042



- | | |
|------------------------------------|--|
| ① Existing Hot-Mix Asphalt Surface | ⑤ Proposed Leveling Binder (Machine Method), N70 (1 1/2") |
| ② Existing Aggregate Base Course | ⑥ Proposed Hot-Mix Asphalt Surface Course, Mix "C", N70 (1 1/2") |
| ③ Existing Turf Shoulder | ⑦ Proposed Aggregate Shoulders, Type B |
| ④ Existing Pipe Culvert | ⑧ Proposed Pipe Culverts, Class A |

** Proposed side slopes shall be 2:1 or flatter.

TYPICAL SECTION