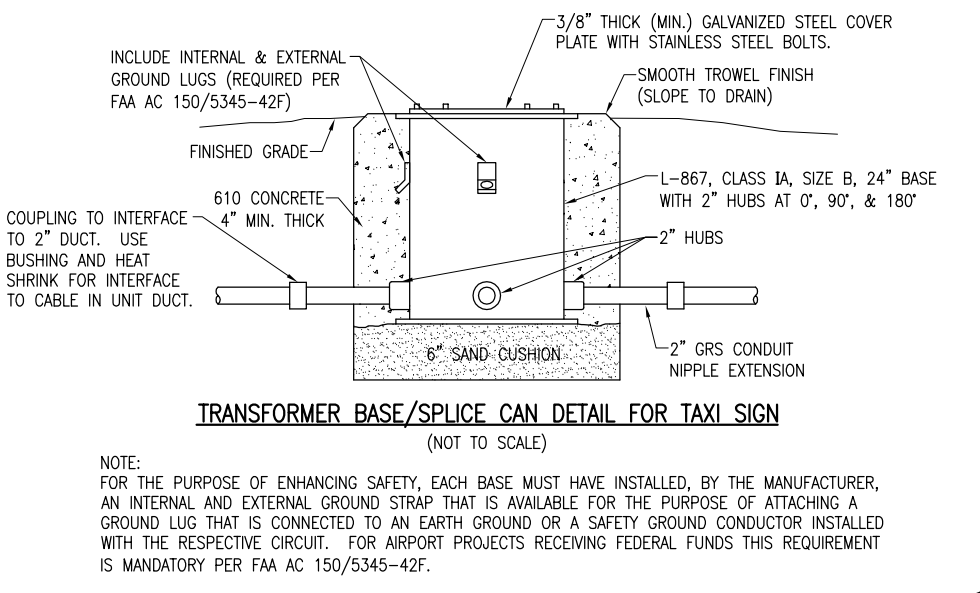
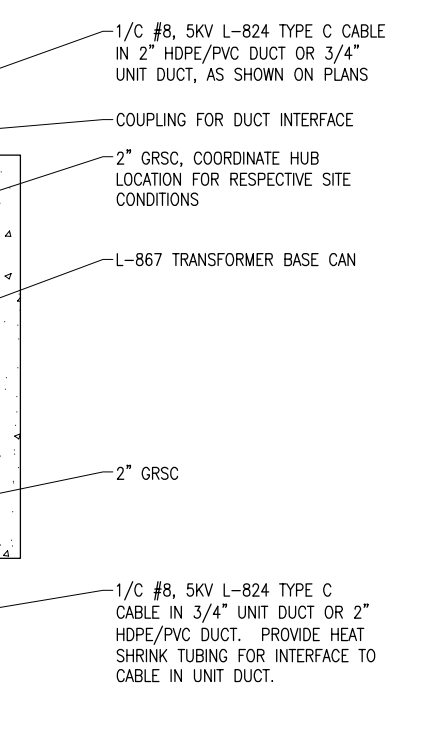
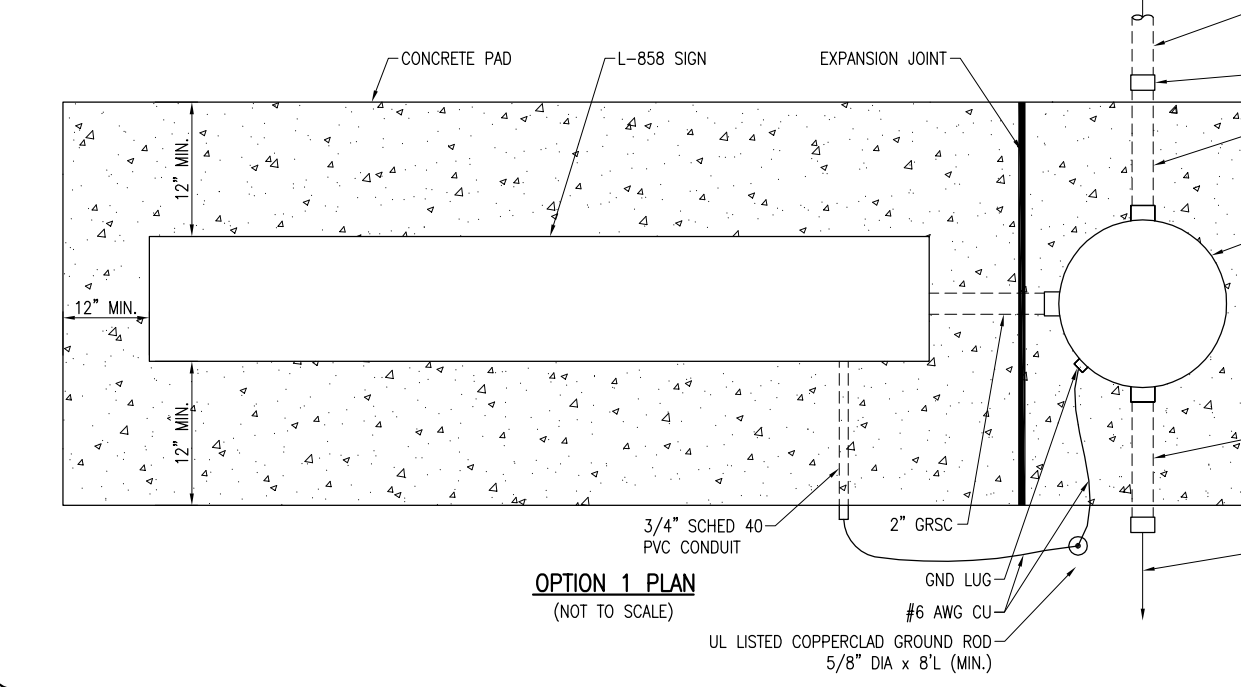
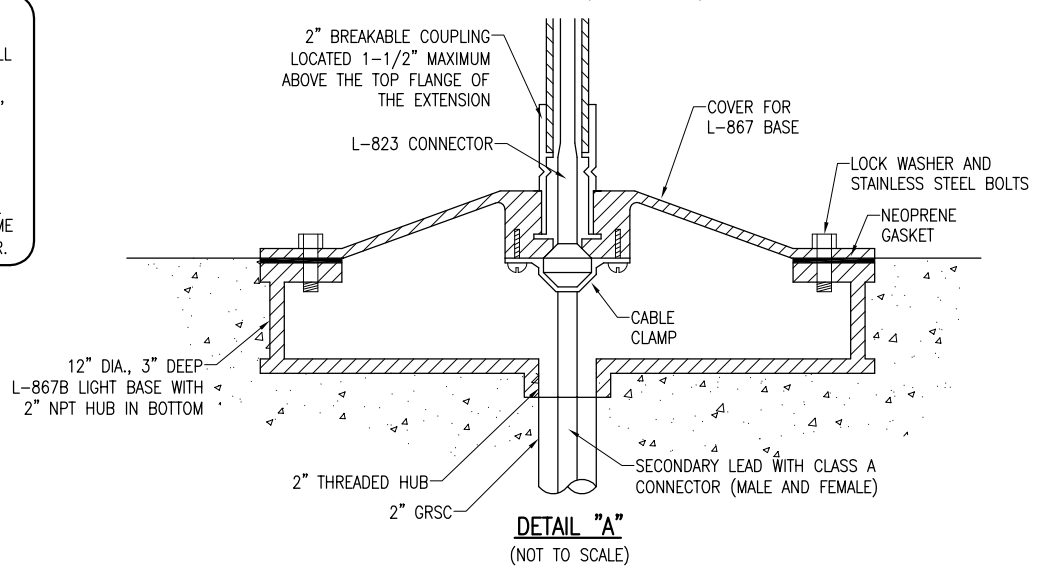


PER FAA AC 150/5340-30F DESIGN AND INSTALLATION DETAILS FOR AIRPORT VISUAL AIDS, A LIGHT BASE GROUND MUST BE INSTALLED AT EACH LIGHT FIXTURE. A LIGHT BASE GROUND SHALL BE INSTALLED AT EACH STAKE MOUNTED LIGHT AND EACH TRANSFORMER BASE/LIGHT CAN ASSOCIATED WITH RUNWAY LIGHTS, TAXIWAY LIGHTS, AND LIGHTED TAXI GUIDANCE SIGNS. THE LIGHT BASE GROUND SHALL BE A #6 AWG BARE COPPER CONDUCTOR CONNECTED TO THE GROUND LUG ON THE RESPECTIVE L-867 TRANSFORMER BASE/LIGHT CAN, TAXI SIGN FRAME, OR MOUNTING STAKE AND A 3/8-INCH DIAMETER BY 8-FOOT LONG (MINIMUM) UL LISTED COPPER CLAD GROUND ROD. ALSO BOND THE SIGN FRAME TO THE GROUND ROD WITH A #6 AWG BARE COPPER CONDUCTOR.

**GENERAL NOTES**

- SEE LIGHTING LAYOUT SHEET FOR SIGN LEGEND, LOCATION, TYPE, SIZE, STYLE, AND CLASS.
- SEE ELECTRICAL NOTES SHEETS.



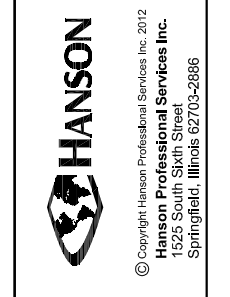
NOTE: FOR THE PURPOSE OF ENHANCING SAFETY, EACH BASE MUST HAVE INSTALLED, BY THE MANUFACTURER, AN INTERNAL AND EXTERNAL GROUND STRAP THAT IS AVAILABLE FOR THE PURPOSE OF ATTACHING A GROUND LUG THAT IS CONNECTED TO AN EARTH GROUND OR A SAFETY GROUND CONDUCTOR INSTALLED WITH THE RESPECTIVE CIRCUIT. FOR AIRPORT PROJECTS RECEIVING FEDERAL FUNDS THIS REQUIREMENT IS MANDATORY PER FAA AC 150/5345-42F.

REVISION	DATE

JOLIET REGIONAL AIRPORT  
JOLIET PARK DISTRICT  
JOLIET, ILLINOIS

A.I.P. PROJ.: 3-17-0066-B8  
ILL. PROJ.: JOT-4166

Hanson Project No. 09A0177D-0001	File Name E-503-DETL.dwg	Scale NOT TO SCALE	Date 02/13/12
LAYOUT	KNL	01/16/12	
DRAWN	MLH	01/27/12	
REVIEWED	KNL/CAH	02/13/12	



ELECTRICAL DETAILS  
SHEET 3

CONSTRUCT A STAND ALONE ELECTRICAL VAULT, REPLACE RUNWAY LIGHTS AND INSTALL TAXIWAY LIGHTS

MAR 12, 2012 2:18 PM KINC00394  
pw:\sps-sv306\hanson\Documents\09\Jobs\09A0177D\CAD\Airport\Sheet\E-503-DETL