

UNLIGHTED TAXI GUIDANCE SIGN NOTES

1. THE PROPOSED UNLIGHTED TAXI GUIDANCE SIGNS SHALL CONFORM TO ADVISORY CIRCULAR 150/5345-44J (OR LATEST ISSUE IN FORCE) AND BE FAA-APPROVED FOR TYPE L-858 TAXIWAY AND RUNWAY SIGNS. THE SIGNS SHALL BE SIZE 1, 18-IN. SIGN FACE WITH A 12-IN. LEGEND; STYLE 4, UNLIGHTED SIGNS; MODE 2, TO WITHSTAND WIND LOADS OF 200 M.P.H., BASE-MOUNTED.
2. THE SIGNS SHALL READ AS DESCRIBED ON THE TAXI GUIDANCE SIGN SCHEDULE. THE PROPOSED TAXI GUIDANCE SIGNS WILL BE TYPE L-858-Y DIRECTION, DESTINATION, AND BOUNDARY SIGNS (BLACK LEGEND ON YELLOW BACKGROUND); TYPE L-858-R MANDATORY INSTRUCTION SIGN (BLACK OUTLINE ON OUTSIDE EDGE OF WHITE LEGEND ON RED BACKGROUND); AND TYPE L-858-L LOCATION SIGN (YELLOW LEGEND AND BORDER ON BLACK BACKGROUND).
3. THE CONCRETE USED IN THE CONSTRUCTION OF THESE ITEMS SHALL BE IN ACCORDANCE WITH ITEM 610 STRUCTURAL PORTLAND CEMENT CONCRETE.

REVISION	DATE

**JOLIET REGIONAL AIRPORT
JOLIET PARK DISTRICT
JOLIET, ILLINOIS**

A.I.P. PROJ.: 3-17-0066-B8
ILL. PROJ.: JOT-4166

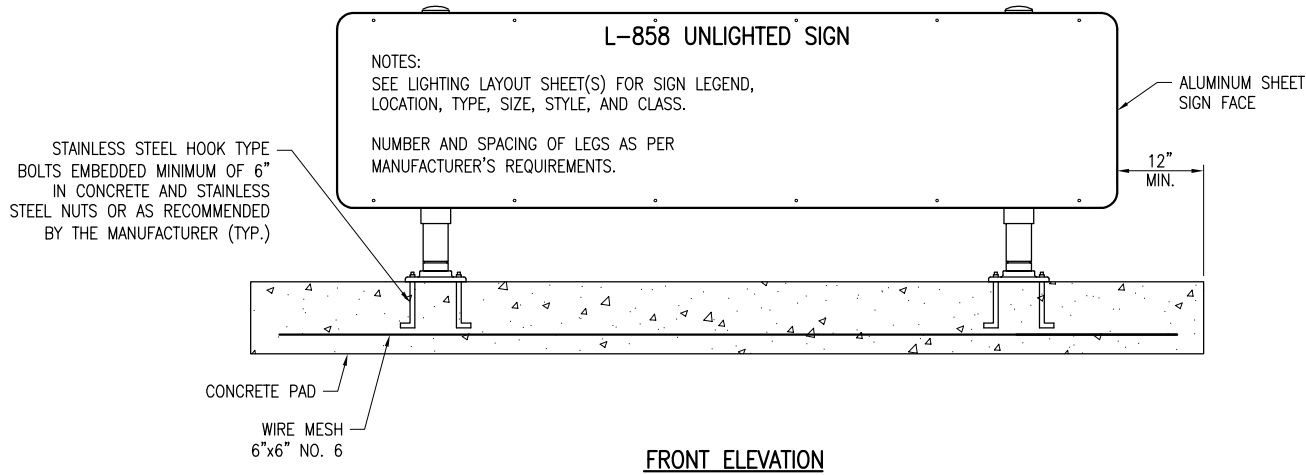
Hanson Project No. 09A0177D-0001	LAYOUT	KNL	01/16/12
Filename E-503-DETL.dwg	DRAWN	MLH	01/27/12
Scale NOT TO SCALE	REVIEWED	KNL/CAH	02/13/12
Date 02/13/12			



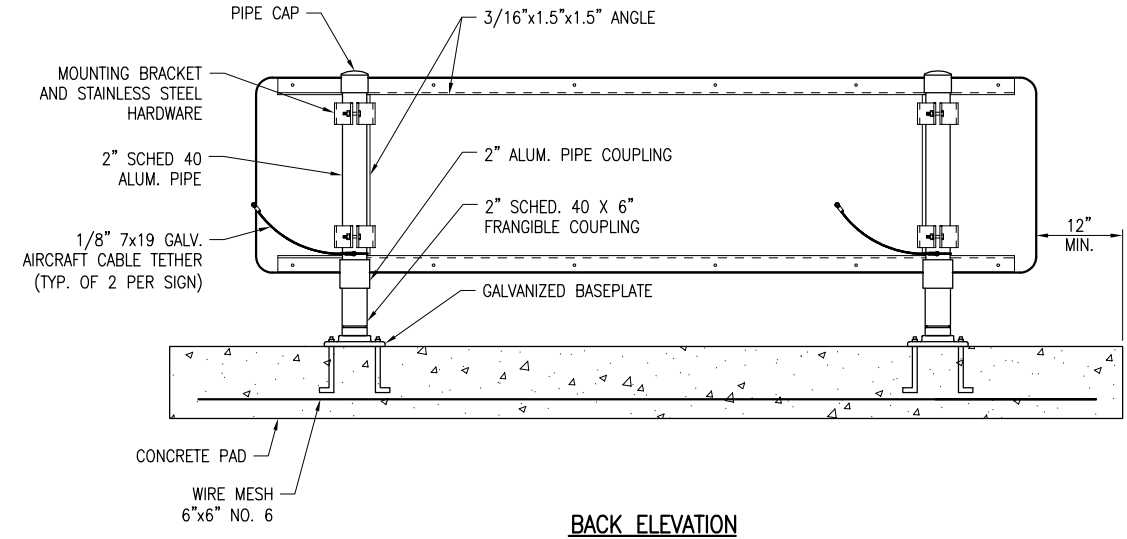
© Copyright Hanson Professional Services Inc. 2012
Hanson Professional Services Inc.
1525 S. Skyway
Springfield, Illinois 62703-2886

**UNLIGHTED SIGN
DETAILS**

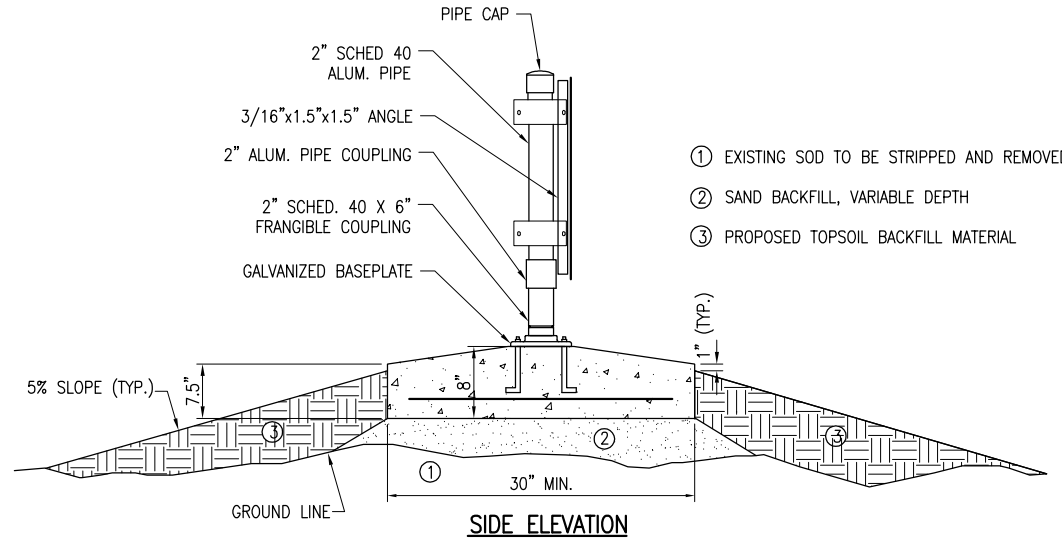
**CONSTRUCT A STAND ALONE
ELECTRICAL VAULT, REPLACE RUNWAY
LIGHTS AND INSTALL TAXIWAY LIGHTS**



FRONT ELEVATION



BACK ELEVATION



SIDE ELEVATION

UNLIGHTED SIGN DETAILS
(NOT TO SCALE)

MAR 12, 2012 1:54 PM KINC00394
pw:\sps-sv306.hanson.com\hanson_projects\Documents\09A0177D\09A0177D (CAD) Airport\Sheet\E-503-DETL