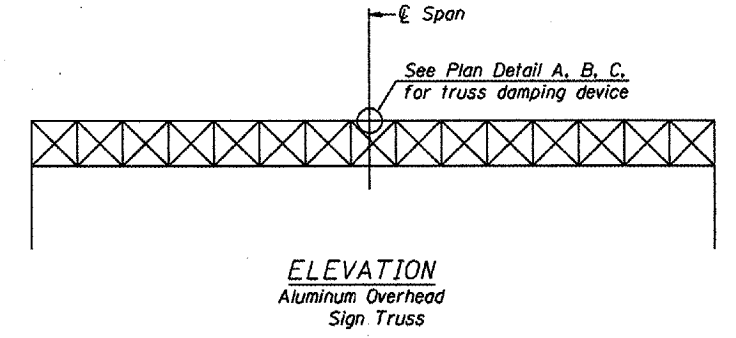
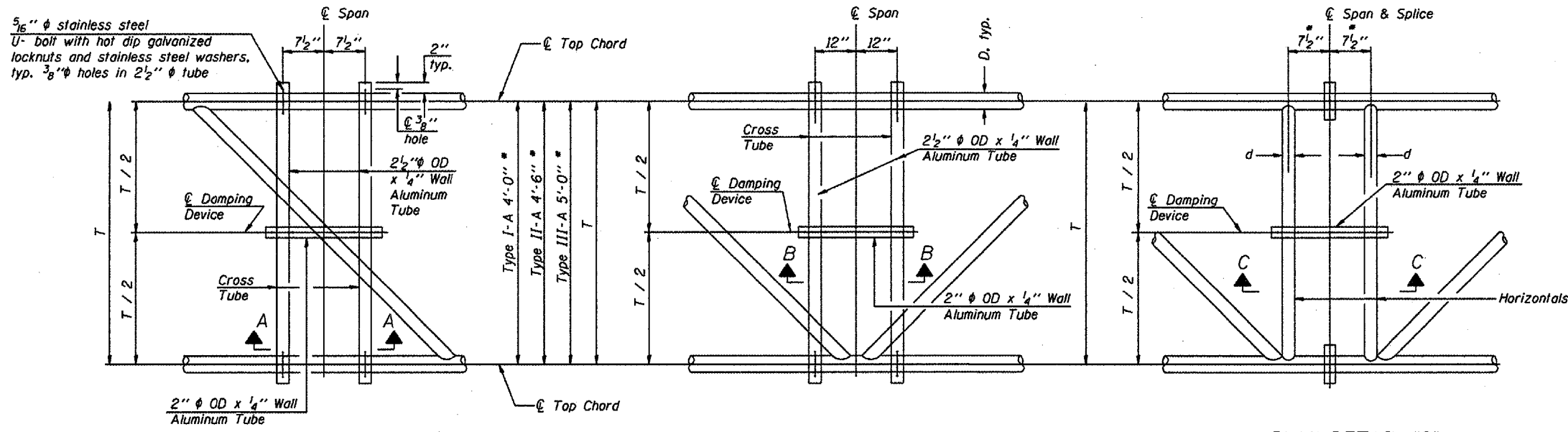


Center of horizontal to center of splice dimension may vary. Verify before drilling holes in mounting tube.

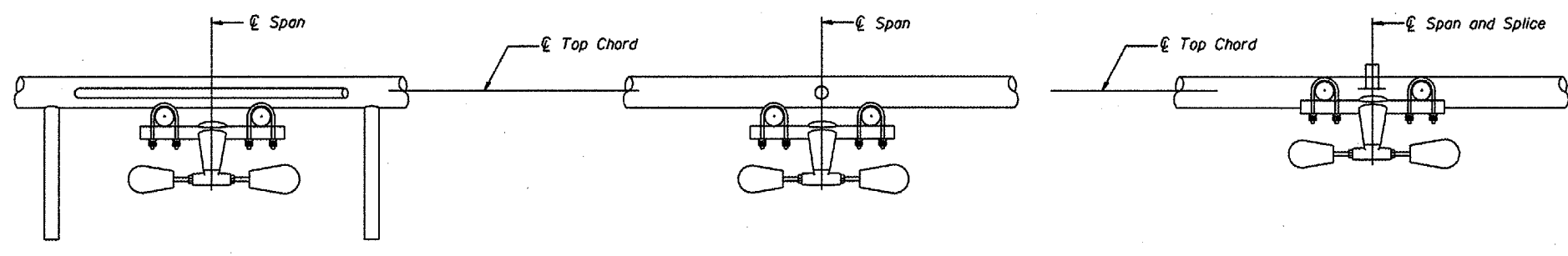


PLAN DETAIL "A"  
Span between Panel Points

PLAN DETAIL "B"  
Span at Panel Point

PLAN DETAIL "C"  
Span at Chord Splice

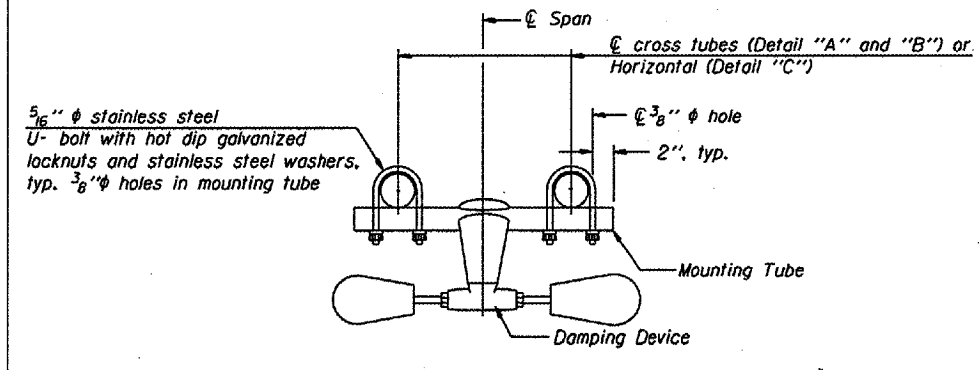
**NOTES**  
Damper: One damper per truss.  
(31 lbs. Stockbridge-Type Aluminum)  
Cost included in Overhead Sign Structure...  
Materials: Aluminum tubes shall be ASTM B221 alloy 6061 temper T6. Cost included in Overhead Sign Structure...



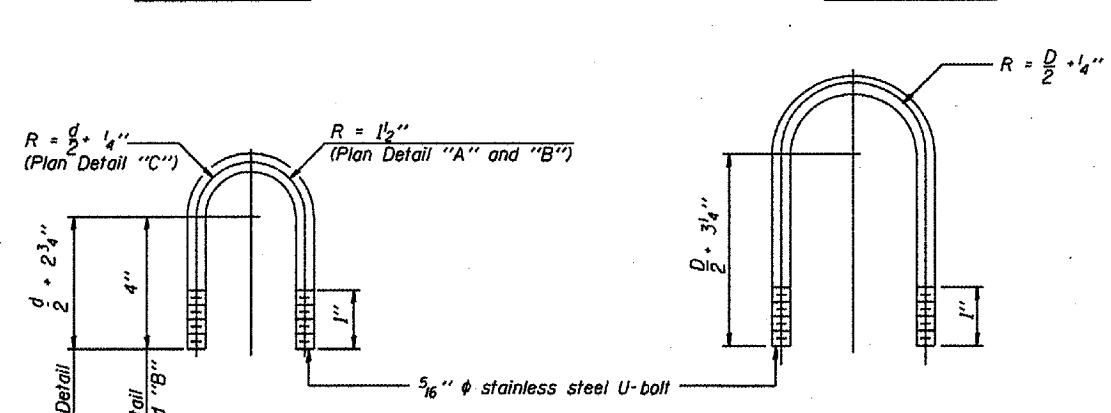
SECTION A-A

SECTION B-B

SECTION C-C



TRUSS DAMPING  
DEVICE CONNECTION DETAIL  
(Typical)



DAMPING DEVICE MOUNTING  
TUBE U-BOLT DETAIL  
(Typical)

TOP CHORD TO CROSS TUBE  
U-BOLT DETAIL  
(Typical - Detail "A" and "B")

This detail applies to the following overhead sign structures:  
1. 250371080L011.4  
2. 250501080R073.4

DESIGNED	
CHECKED	
DRAWN	
CHECKED	

EXAMINED	20
PASSED	ENGINEER OF BRIDGE DESIGN
	ENGINEER OF BRIDGES AND STRUCTURES

**OVERHEAD SIGN STRUCTURE  
DAMPING DEVICE**

District 2  
Overhead Sign  
Structure Replacement