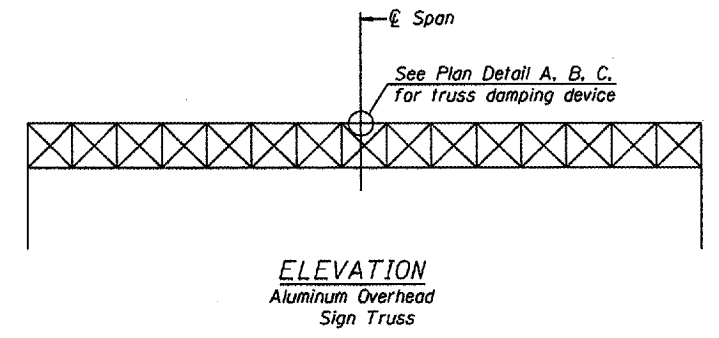
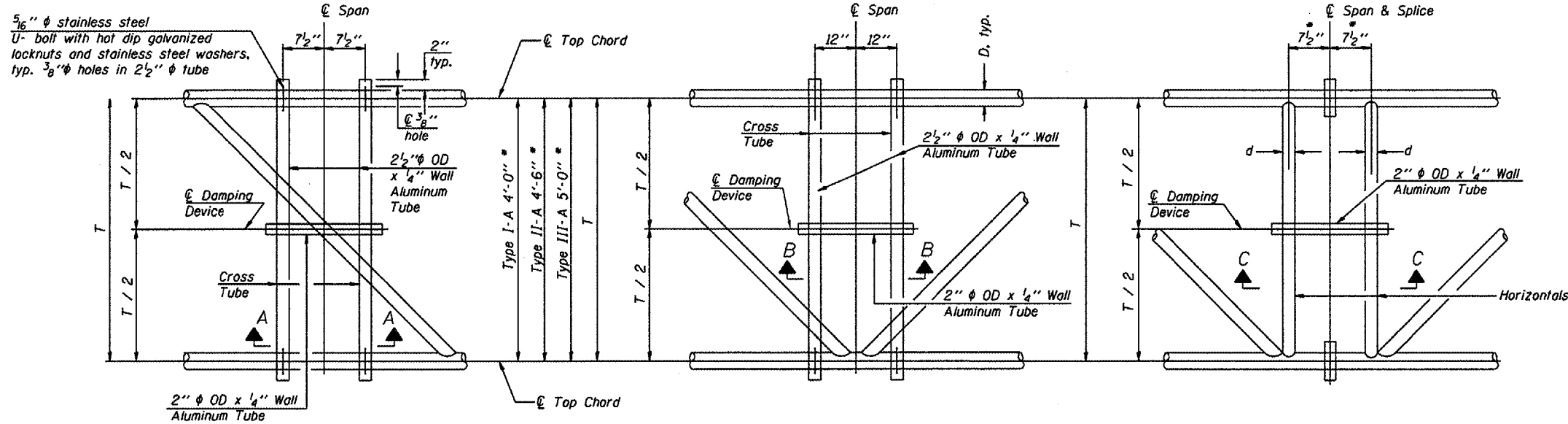


STATE OF ILLINOIS
DEPARTMENT OF TRANSPORTATION

Center of horizontal to center of splice dimension may vary. Verify before drilling holes in mounting tube.

Various Routes
OVD SIN STR REP & REPL 2006-9
Various Counties
Sheet 43 of 114
Contract Number 44904



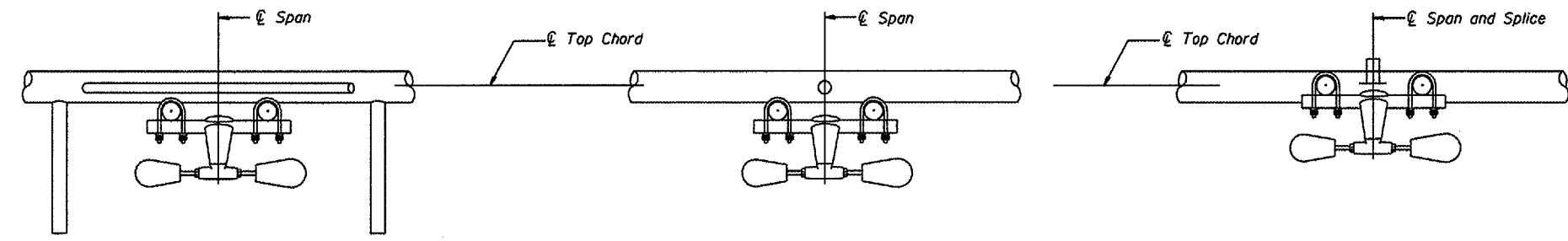
PLAN DETAIL "A"
Span between Panel Points

PLAN DETAIL "B"
Span at Panel Point

PLAN DETAIL "C"
Span at Chord Splice

NOTES
Damper: One damper per truss.
(31 lbs. Stockbridge-Type Aluminum)
Cost included in Overhead Sign Structure...

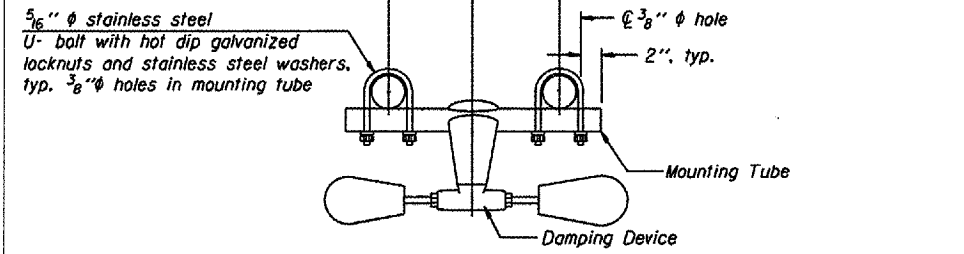
Materials: Aluminum tubes shall be ASTM B221 alloy 6061 temper T6. Cost included in Overhead Sign Structure...



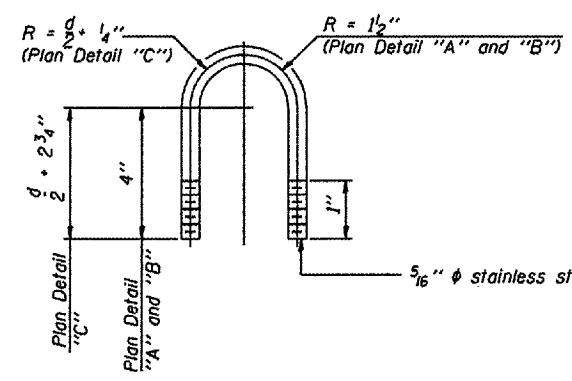
SECTION A-A

SECTION B-B

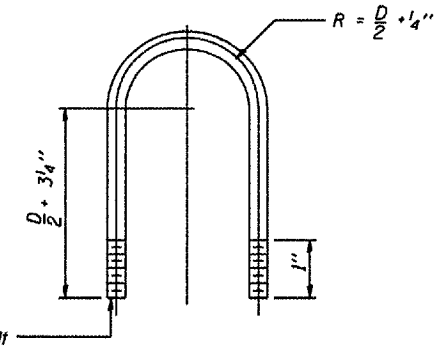
SECTION C-C



TRUSS DAMPING
DEVICE CONNECTION DETAIL
(Typical)



DAMPING DEVICE MOUNTING
TUBE U-BOLT DETAIL
(Typical)



TOP CHORD TO CROSS TUBE
U-BOLT DETAIL
(Typical - Detail "A" and "B")

DESIGNED	-	20
CHECKED	-	EXAMINED
DRAWN	-	PASSED
CHECKED	-	ENGINEER OF BRIDGES AND STRUCTURES

OS-A-D 1-7-05

OVERHEAD SIGN STRUCTURE
DAMPING DEVICE

District 3
Overhead Sign
Structure Replacement