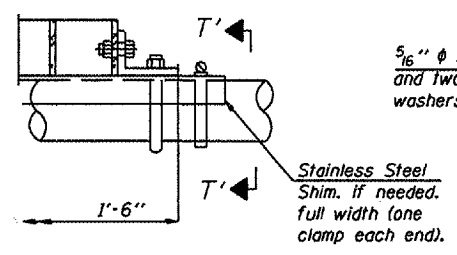
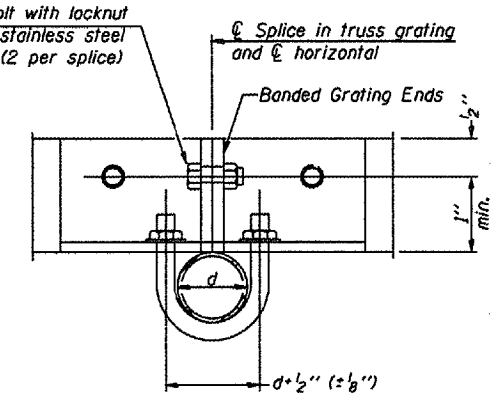


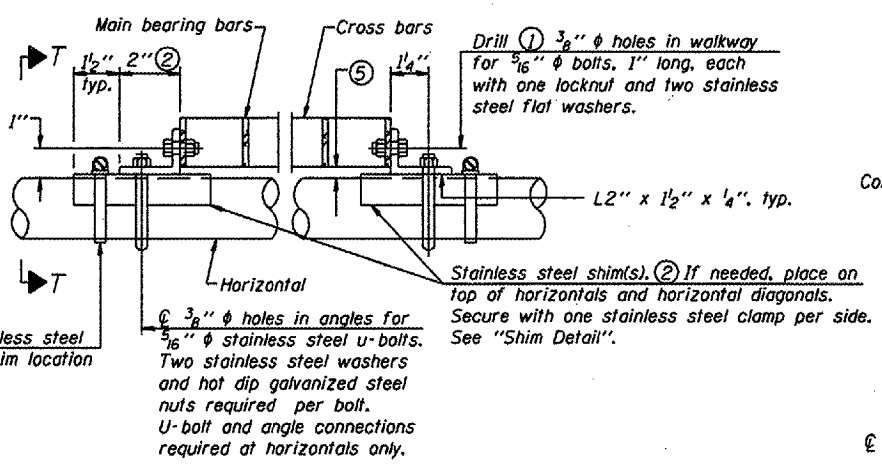
DETAIL W
(Walkway grating)



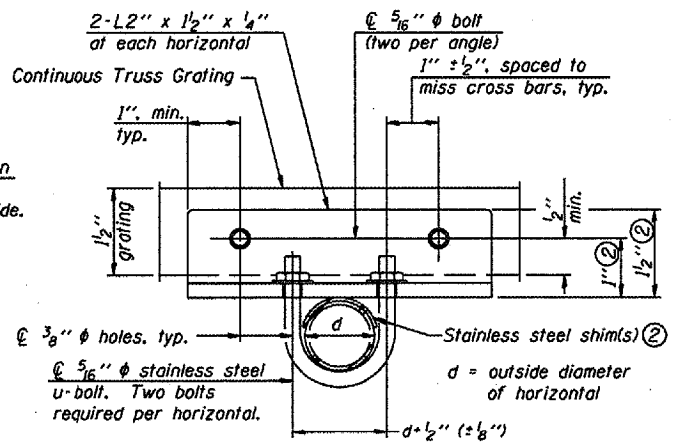
DETAIL T'
(Truss grating splice)
Details not shown same as Detail T. Alternate materials may be used subject to the Engineer's review and approval.



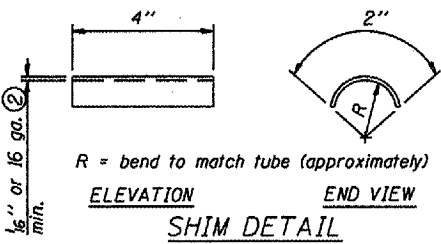
SECTION T'-T'



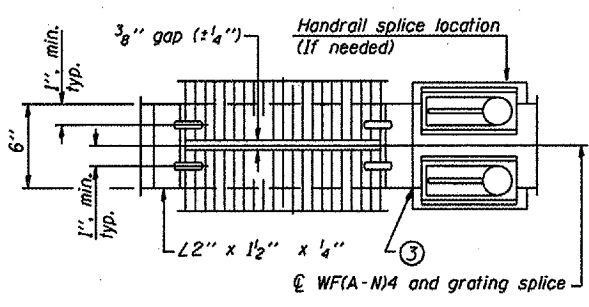
DETAIL T
(Continuous Truss grating)



SECTION T-T



SECTION B-B



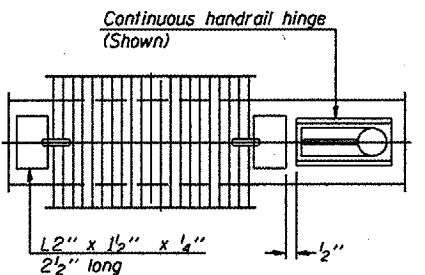
(AT WALKWAY GRATING SPLICE)

SPECIFICATIONS FOR STANDARD ALUMINUM GRATING

Main Bearing Bars shall be 3/16" x 1 1/2" on 1 3/16" centers and conform to ASTM B221 Alloy 6061-T6.
Cross bars shall be 3/16" x 1 1/2" on 4" centers and conform to ASTM B221 Alloy 6063-T5 or 6061-T6.

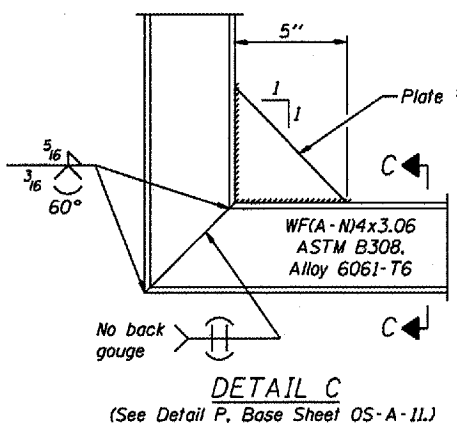
OR

Aluminum Grating with modified "T" sections for main bearing bars shall meet the following requirements:
Main bars shall conform to ASTM B221 Alloy 6061-T6 and have a minimum section modulus equal to 0.0705 in.³ per bar, a depth of 1 1/2", spaced on 1 3/16" centers.
Cross bars shall conform to ASTM B221 Alloy 6063-T5 or T-42 and spaced on 4" centers.

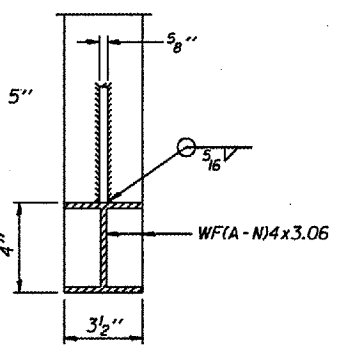


(CONTINUOUS WALKWAY GRATING)

SECTION W-W



SECTION C-C



DESIGNED -	20
CHECKED -	EXAMINED
DRAWN -	PASSED
CHECKED -	ENGINEER OF BRIDGE DESIGN
	ENGINEER OF BRIDGES AND STRUCTURES

OS-A-10 1-7-05

NUMBER	REVISION	DATE

Structure Number	Station	A	B	C	D

Existing Walkway and Walkway Support Brackets to be Reused.

**OVERHEAD SIGN STRUCTURES
ALUMINUM WALKWAY DETAILS**

District 4
Overhead Sign Structure
Repair and Replacement