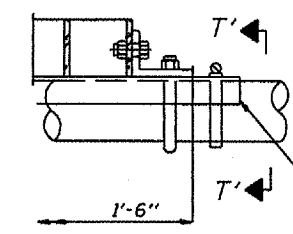
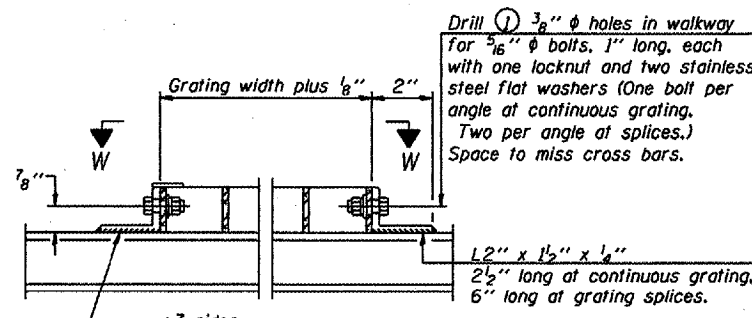
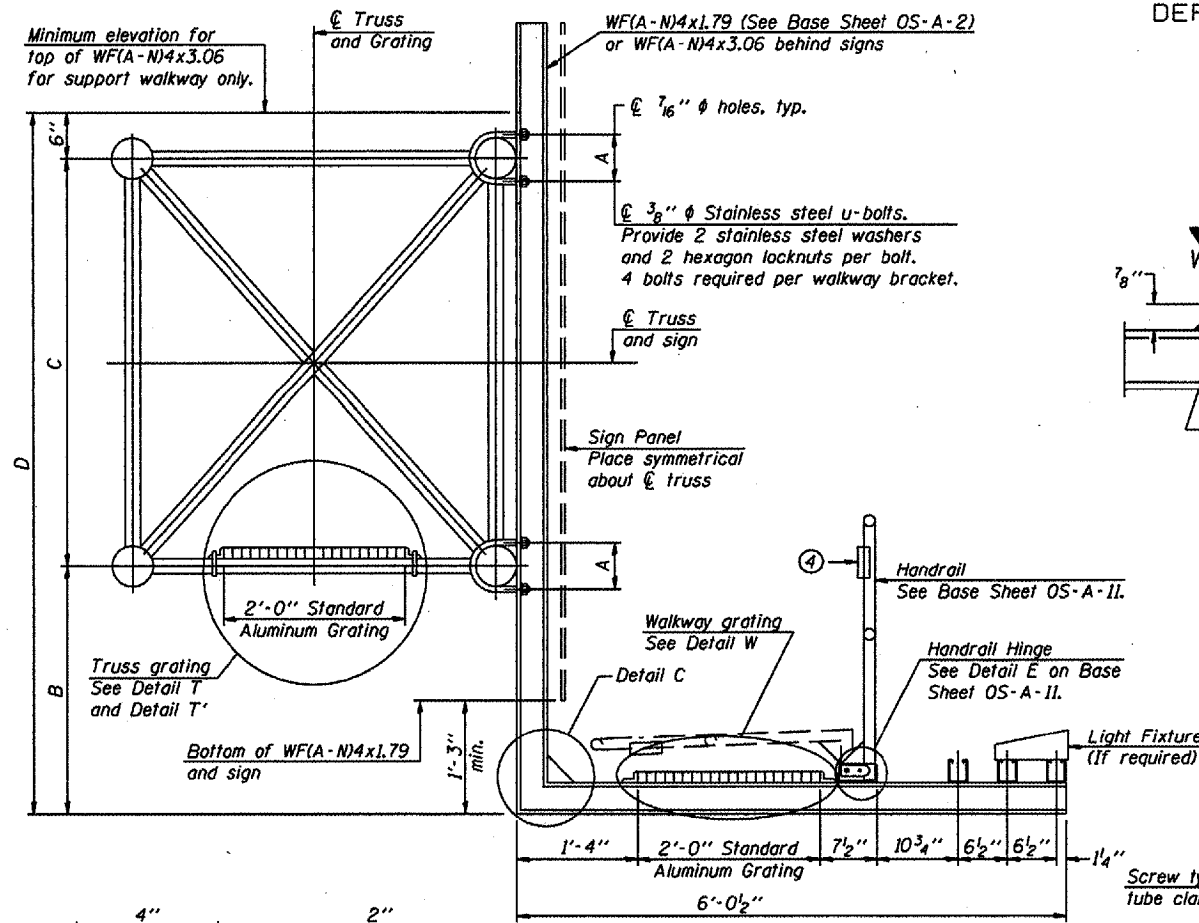
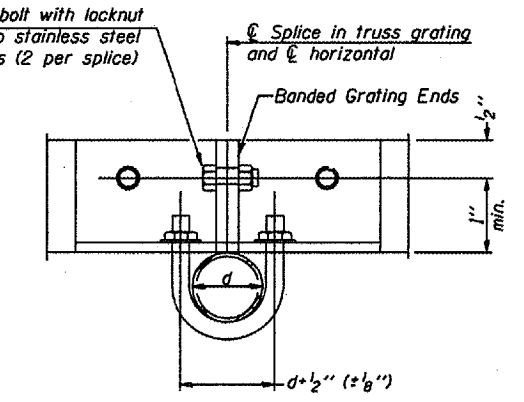


STATE OF ILLINOIS
DEPARTMENT OF TRANSPORTATION

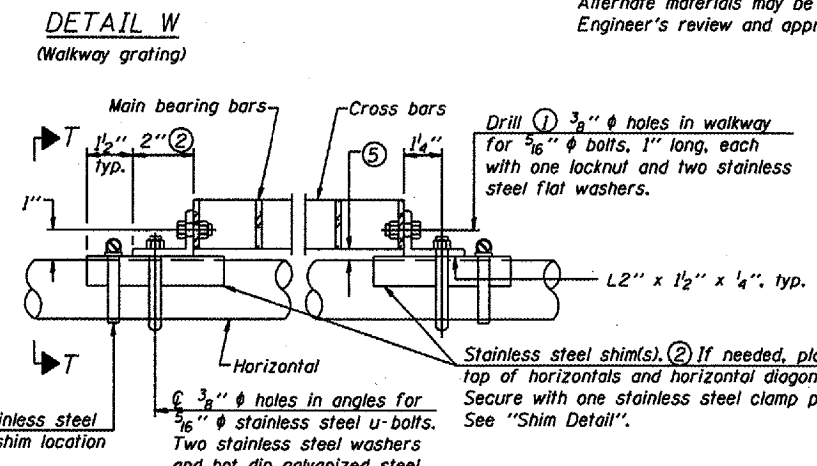
Various Routes
OVD SIN STR REP & REPL 2006-9
Various Counties
Sheet 68 of 114
Contract Number 44904



DETAIL T'
(Truss grating splice)
Details not shown same as Detail T. Alternate materials may be used subject to the Engineer's review and approval.

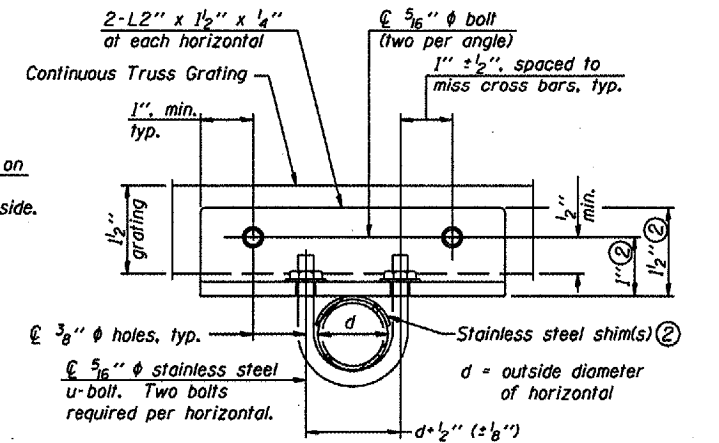


SECTION T'-T'



DETAIL W
(Walkway grating)

DETAIL T
(Continuous Truss grating)



SECTION T-T

SPECIFICATIONS FOR STANDARD ALUMINUM GRATING

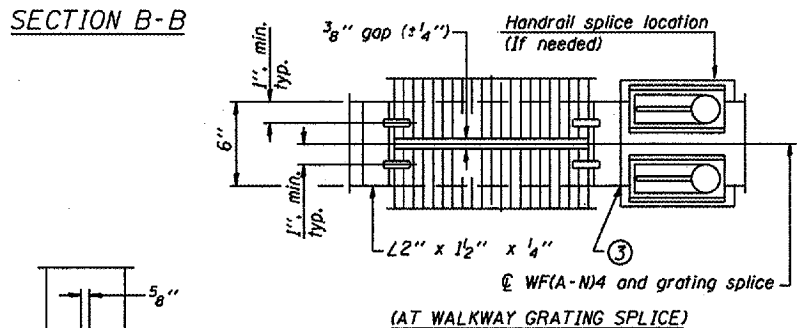
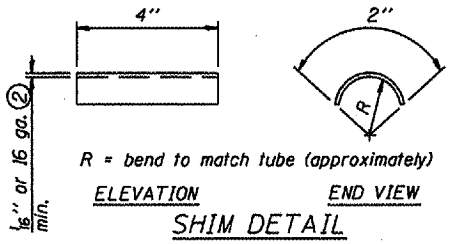
Main Bearing Bars shall be 3/16" x 1 1/2" on 1 3/16" centers and conform to ASTM B221 Alloy 6061-T6.
Cross bars shall be 3/16" x 1 1/2" on 4" centers and conform to ASTM B221 Alloy 6063-T5 or 6061-T6.

OR
Aluminum Grating with modified "I" sections for main bearing bars shall meet the following requirements:
Main bars shall conform to ASTM B221 Alloy 6061-T6 and have a minimum section modulus equal to 0.0705 in.³ per bar, a depth of 1 1/2", spaced on 1 3/16" centers.
Cross bars shall conform to ASTM B221 Alloy 6063-T5 or T-42 and spaced on 4" centers.

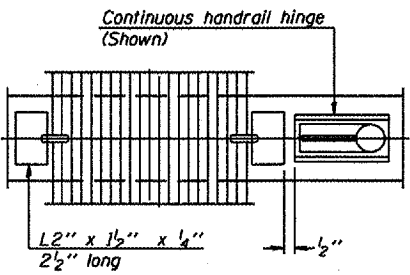
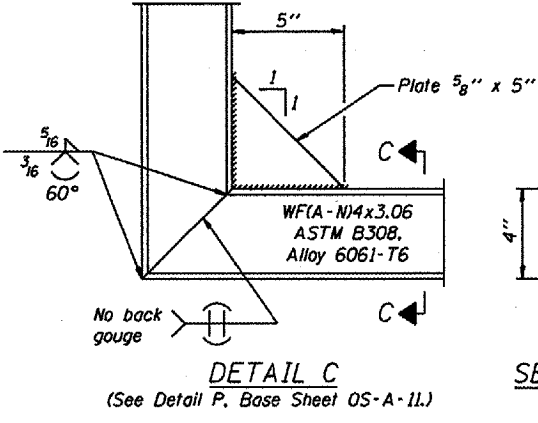
Structure Number	Station	A	B	C	D
550101074R178.7 *	1824+00	5 3/8"	5' - 6"	4' - 6"	14' - 3"
550921074R214.0 *	1913+00	5 3/8"	3' - 5"	5' - 3"	10' - 9"

* The Contractor shall field verify the dimensions for all walkway support brackets.

- Drilling holes in grating may be done in shop or field, based on Contractor's preference and subject to accurate alignment.
- Stainless steel shims shall be placed as shown in Detail T if needed to compensate for alignment variations between horizontal and diagonal pipes beyond adjustment provided by angles. Thicker shims may be used subject to shims performing properly.
- If Handrail Joint present, weld angle to WF(A-N)4 and 1/4" extension bars. (See Base Sheet OS-A-11.)
- 5/8" x 1/2" x 2" welded to handrail posts to protect locations that contact grating.
- Tube to grating gap may vary from 0 to 1/2", max. to align walkway, allow for camber, etc.



SECTION C-C



SECTION W-W

DESIGNED -	20
CHECKED -	EXAMINED
DRAWN -	PASSED
CHECKED -	ENGINEER OF BRIDGES AND STRUCTURES

NUMBER	REVISION	DATE

OVERHEAD SIGN STRUCTURES
ALUMINUM WALKWAY DETAILS

District 5
Overhead Sign Structure
Repair and Replacement