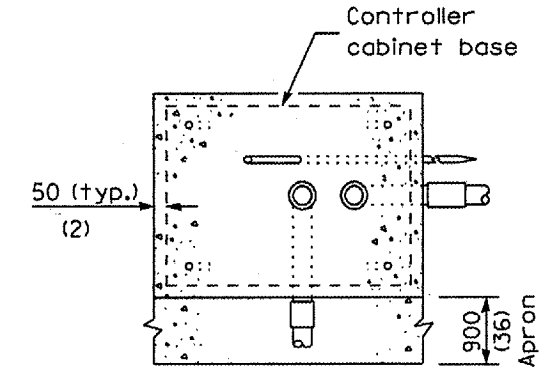
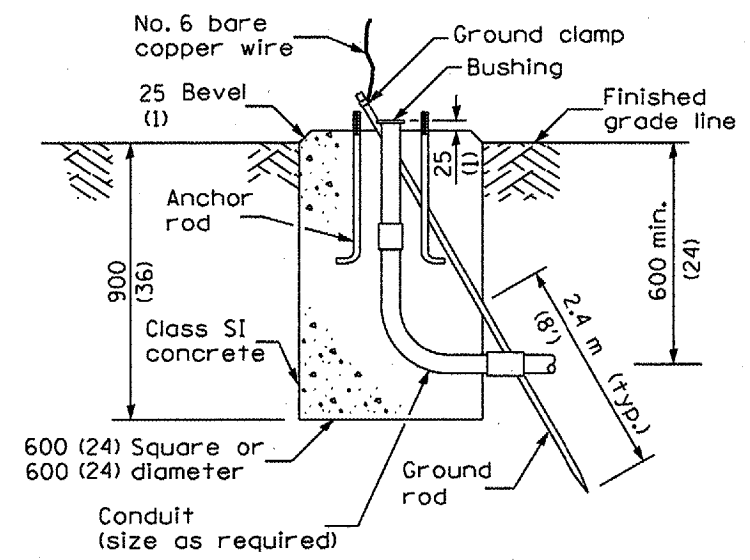


TOP VIEW

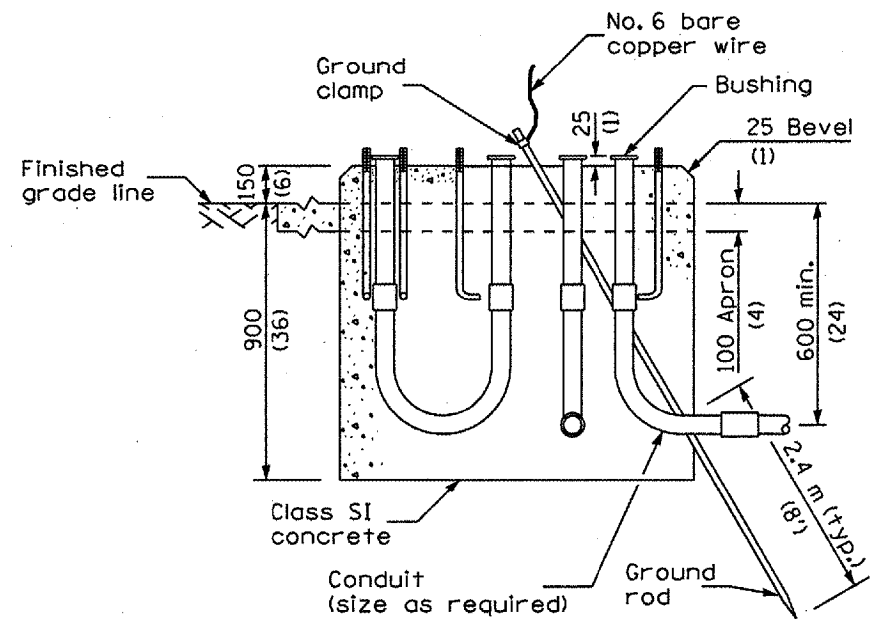


TOP VIEW

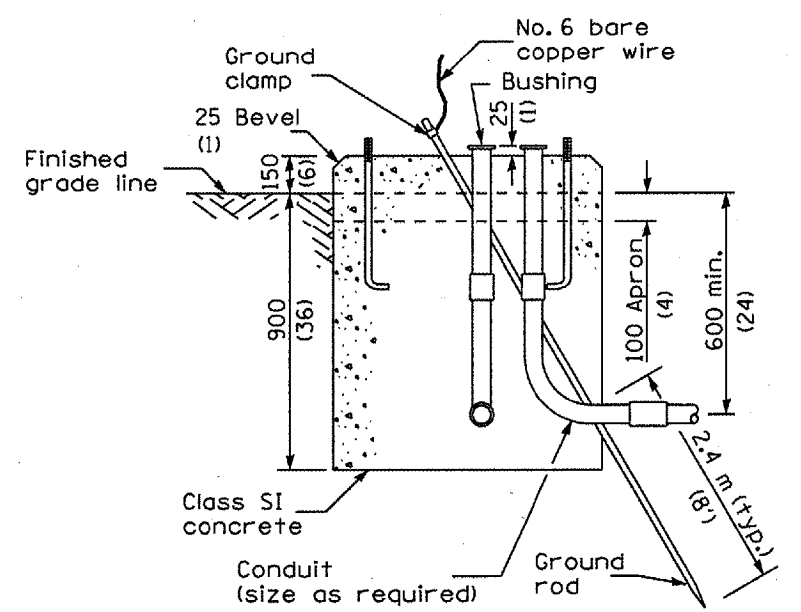
Dimensions are in millimeters unless  
 unless otherwise shown.



TYPE A



TYPE C  
 FOR GROUND MOUNTED  
 CONTROLLER CABINET  
 AND UPS BATTERY CABINET



TYPE D  
 FOR GROUND MOUNTED  
 CONTROLLER CABINET

DATE	REVISIONS
4-1-06	Added Type C foundation detail.
1-1-05	Revised Type E foundation detail.

CONCRETE  
 FOUNDATION DETAILS

(Sheet 1 of 2)

STANDARD 878001-04