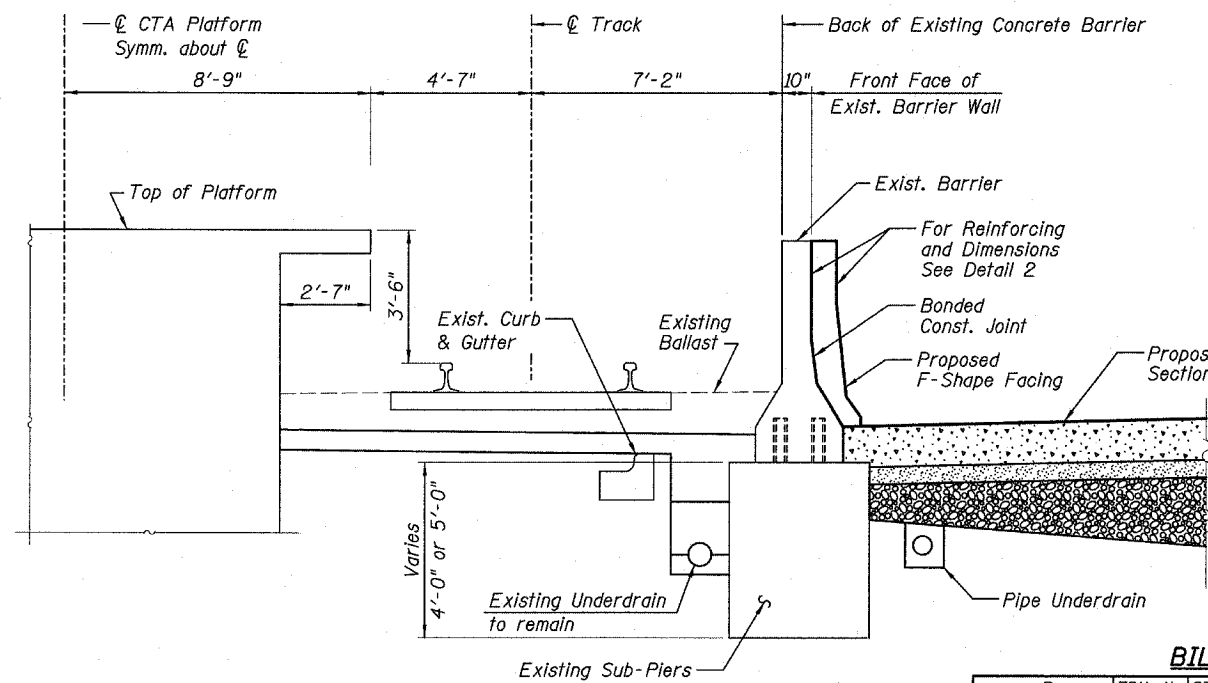


**TYPICAL SECTION
BETWEEN SUB-PIERS**
(Pipe Underdrain not shown)

Contractor to cut and dispose of soldier pile tops as required for paving and as directed by the Engineer. Cost to be included in "Furnishing Soldier Piles (HP Section)".



**TYPICAL SECTION
AT SUB-PIER**

LEGEND:

	Concrete Removal
	PCC Pavement
	BAM
	Sub Base

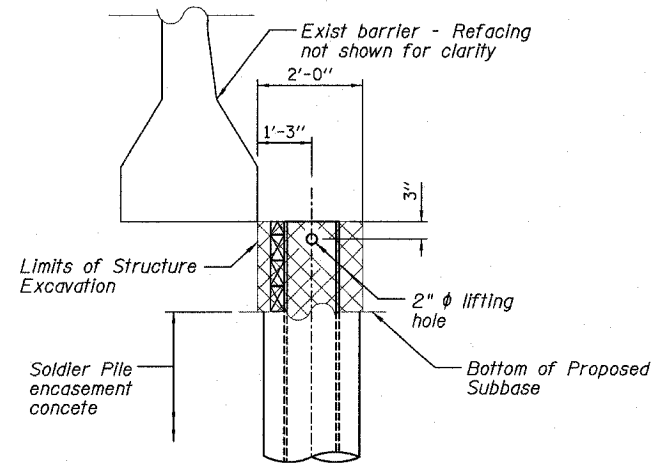
BILL OF MATERIAL

Bar	79th No.	87th No.	95th No.	Size	Length	Shape
d3(E)	528	518	627	#4	4'-9"	
d4(E)	528	518	627	#4	2'-8"	
d12(E)	4	4	2	#4	3'-4"	
h1(E)	108	108	174	#4	29'-7"	
h3(E)	792	777	941	#4	1'-6"	
h12(E)	6	6	3	#4	1'-4"	
h14(E)	8	8	4	#4	2'-2"	
Item	Unit	79th Qty	87th Qty	95th Qty		
Furnishing Soldier Piles (HP Section)	Foot	1056	1068	1332		
Drilling and Setting Soldier Piles (in Soil)	Cu. Ft.	2753	2759	3516		
Untreated Timber Lagging	Sq. Ft.	778	872	1111		
Reinforcement Bars, Epoxy Coated	Pound	5570	5510	7510		
* Concrete Structures	Cu. Yd.	63	64	78		
Protective Coat	Sq. Yd.	370	374	453		
Structure Excavation	Cu. Yd.	97	100	139		

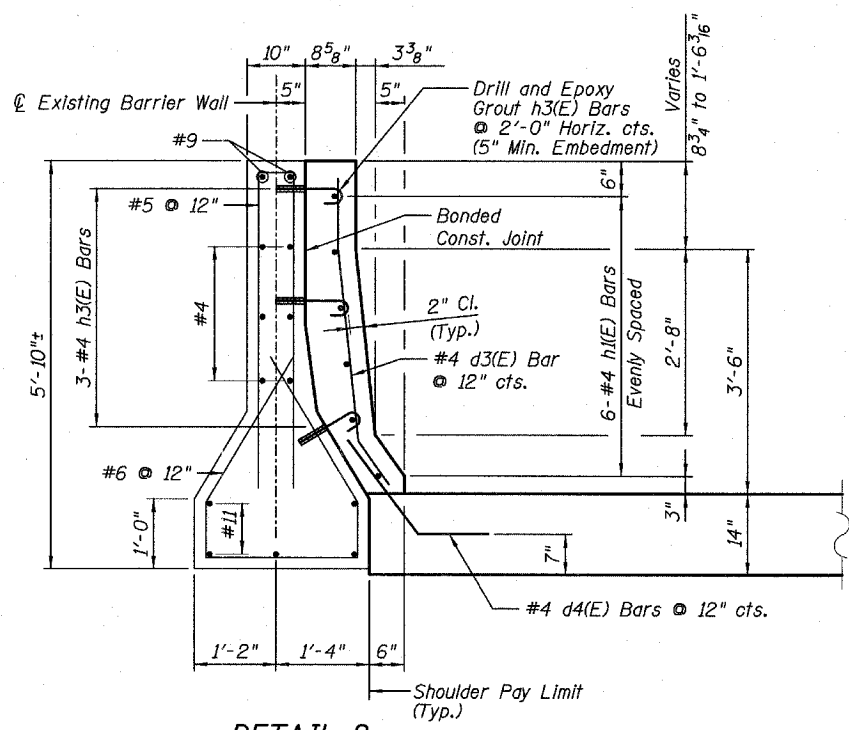
* Coarse Aggregate shall meet the requirements of Article 1004.01-1004.02 of the Standard Specifications except the gradation will be limited to CA-11 or CA-14.

NOTES:

- Drilling and grouting of #4 h3(E) bars shall be in accordance with Section 584 of the Standard Specifications.
- #4 d4(E) bars shall be seated in their final position prior to the placement of the concrete shoulder. Bars shall not be mucked into place.
- The cost of drilling holes, furnishing and placing Epoxy Grout and setting #4 h3(E) bars shall be included in the cost for Concrete Structures.
- Provide joints in facing to match those in the existing barrier, see Sht B1 for details.
- h1(E) bars shall be cut as needed for fit.
- See Sht. B1 for bar detailing.



MISCELLANEOUS DETAILS



DETAIL 2