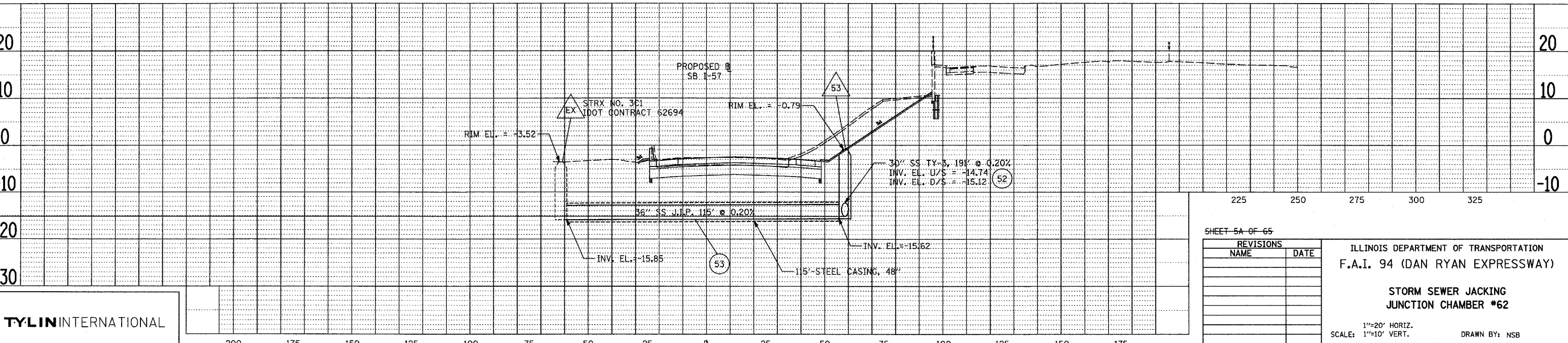


- LEGEND:**
- EXISTING COMBINED SEWER
 - (XY) PROPOSED STORM SEWER NUMBER (X=SHEET NO., Y=PIPE NO.)
 - (XY) PROPOSED STRUCTURE NUMBER (X=SHEET NO., Y=STRUCTURE NO.)
 - S- PIPE STUBOUT TO BE PLUGGED
 - P SEWER PLUG
 - F.V. FIELD VERIFY
 - /// UTILITY REMOVAL
 - PROPOSED CATCH BASIN CONSTRUCTED IN CONCURRENT CONTRACT 62304
 - PROPOSED STORM SEWER CONSTRUCTED IN CONCURRENT CONTRACT 62304



SHEET 5A OF 65

REVISIONS	
NAME	DATE

ILLINOIS DEPARTMENT OF TRANSPORTATION
 F.A.I. 94 (DAN RYAN EXPRESSWAY)

**STORM SEWER JACKING
 JUNCTION CHAMBER #62**

1"=20' HORIZ.
 SCALE: 1"=10' VERT.
 DATE: MARCH 1, 2006

DRAWN BY: NSB
 CHECKED BY: DA

TYLIN INTERNATIONAL

PLAN

DATE	BY

SURVEYED, PLOTTED, CHECKED, FILED, NO. 000 FILE NAME

PROFILE

DATE	BY

SURVEYED, PLOTTED, CHECKED, FILED, NO. 000 FILE NAME