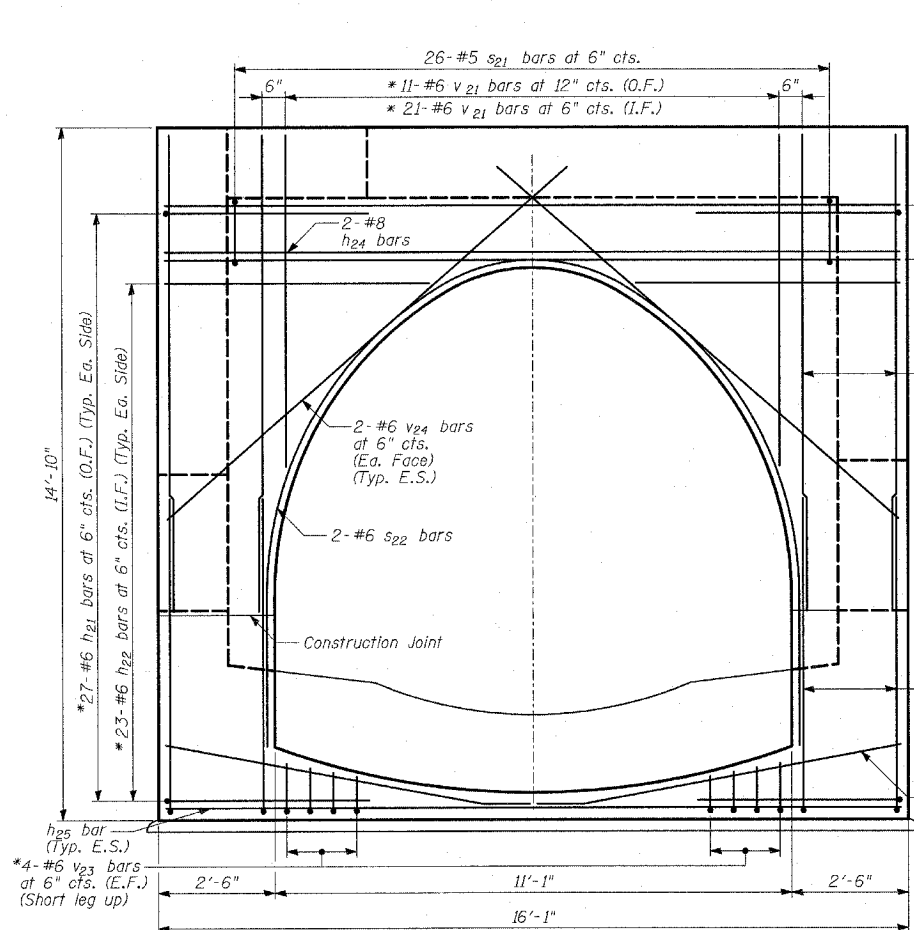
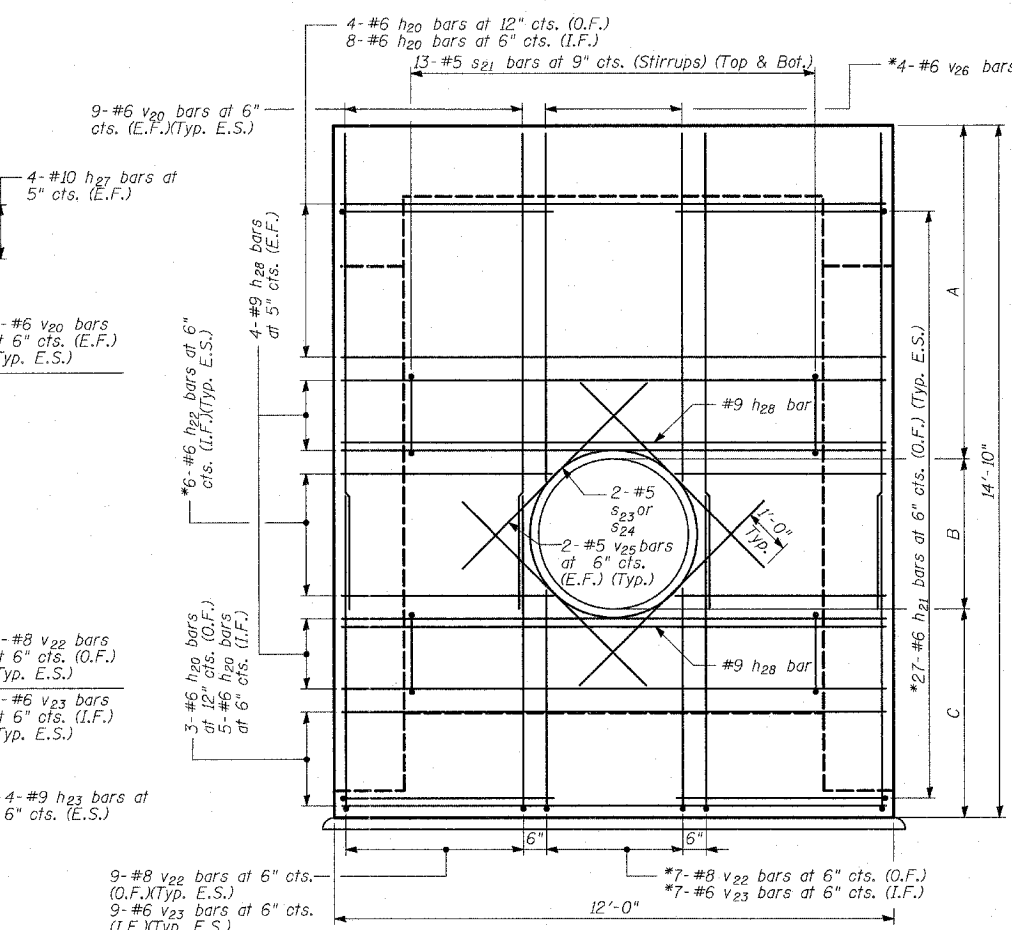


**BILL OF MATERIAL**

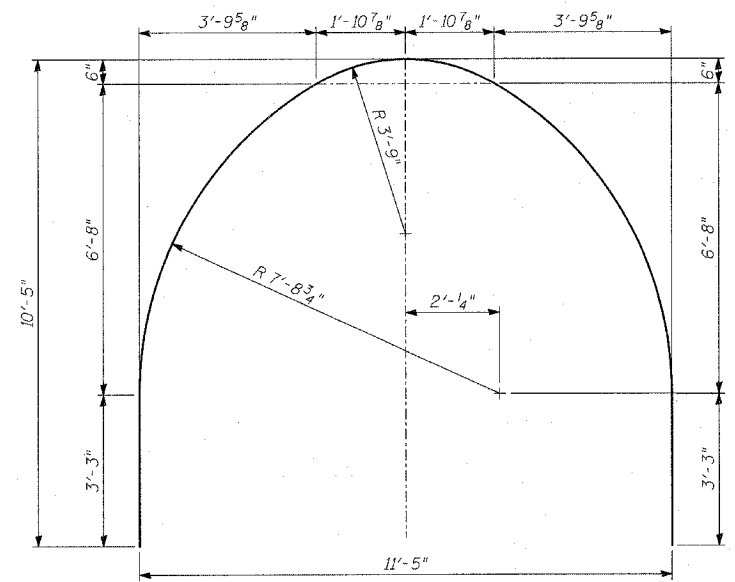
Bar	No.	Size	Length	Shape
a20	32	#6	11'-8"	—
a21	38	#10	14'-6"	—
a22	6	#8	11'-8"	—
a23	13	#5	8'-8"	—
a24	12	#5	5'-4"	—
a25	4	#5	4'-2"	—
a26	27	#10	15'-0"	—
h20	40	#6	11'-8"	—
h21	108	#6	10'-6"	—
h22	116	#6	7'-8"	—
h23	16	#9	7'-11"	—
h24	8	#8	15'-9"	—
h25	26	#6	15'-9"	—
h26	4	#10	18'-7"	—
h27	16	#10	15'-9"	—
h28	36	#9	11'-8"	—
h29	20	#5	9'-5"	—
h30	39	#9	18'-3"	—
v20	112	#6	10'-0"	—
v21	64	#6	6'-11"	—
v22	70	#8	11'-10"	—
v23	102	#6	7'-10"	—
v24	16	#6	11'-5"	—
v25	32	#5	5'-8"	—
v26	16	#6	7'-6"	—
s20	2	#5	12'-8"	○
s21	104	#5	5'-7"	□
s22	4	#6	26'-7"	—
s23	2	#5	13'-5"	○
s24	2	#5	12'-5"	○
Reinforcement Bars		POUND	22,890	
Concrete Structures		CU YD	48	



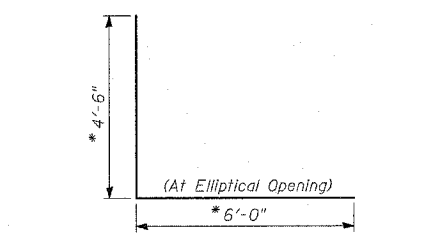
**ELEVATION VIEW B-B**  
(Opposite Wall Typical)



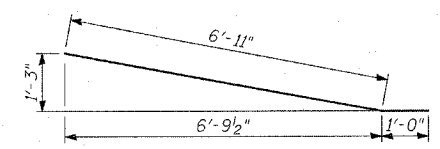
**SECTION E-E & F-F**



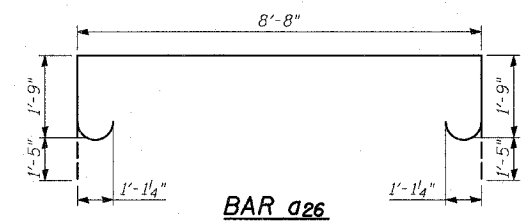
**BAR s22**



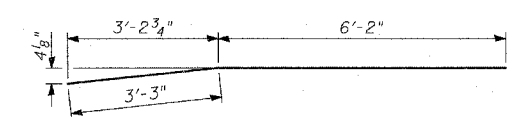
**BAR h21**



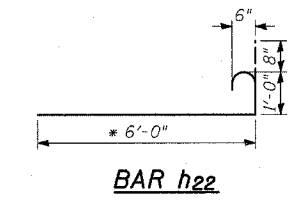
**BAR h23**



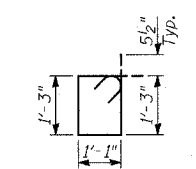
**BAR a26**



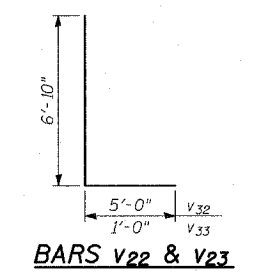
**BAR h29**



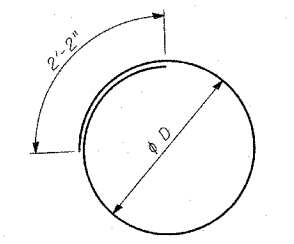
**BAR h22**



**BAR s21**

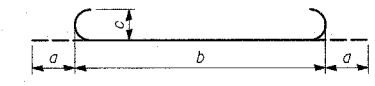


**BARS v22 & v23**



**BARS s20, s23 & s24**

Bar	φ D
s20	3'-4"
s23	3'-7"
s24	3'-3"



**BARS a21, h26 & h30**

Bar	a	b	c
a21	1'-5"	11'-8"	1'-1 1/4"
h26	1'-5"	15'-9"	1'-1 1/4"
h30	1'-3"	15'-9"	11 3/4"

**NOTES:**

- All dimensions and elevations shall be field verified prior to construction.
- Concrete pipe sizes shall be coordinated with openings provided into junction chamber before pouring concrete.
- Manhole Frame, Ladder Rungs, and any Inserts installation shall be coordinated with Roadway Plans.
- Concrete cover for reinforcement steel to be 2" unless otherwise noted.
- All concrete edges shall be chamfered 1 inch.
- All lap splices marked on the drawings are minimum.
- Concrete Compressive Strength  $f_c' = 3,500$  psi.
- Steel Yield Strength = 60,000 psi.
- Work this Sheet with Sheets 1 and 2 of 3.
- Cut bars to fit in field.

- E.F. - denotes Each Face
- E.S. - denotes Each Side
- I.F. - denotes Inside Face
- O.F. - denotes Outside Face

REVISIONS	
NAME	DATE

ILLINOIS DEPARTMENT OF TRANSPORTATION  
 F.A.I. 94 (DAN RYAN EXPRESSWAY)  
**JUNCTION CHAMBER 73**  
**DETAILS 2**  
 S.N. \_\_\_\_\_  
 SCALE: \_\_\_\_\_  
 DATE: MARCH 1, 2006  
 DESIGNED BY: TD, DE  
 DRAWN BY: DE  
 CHECKED BY: MI