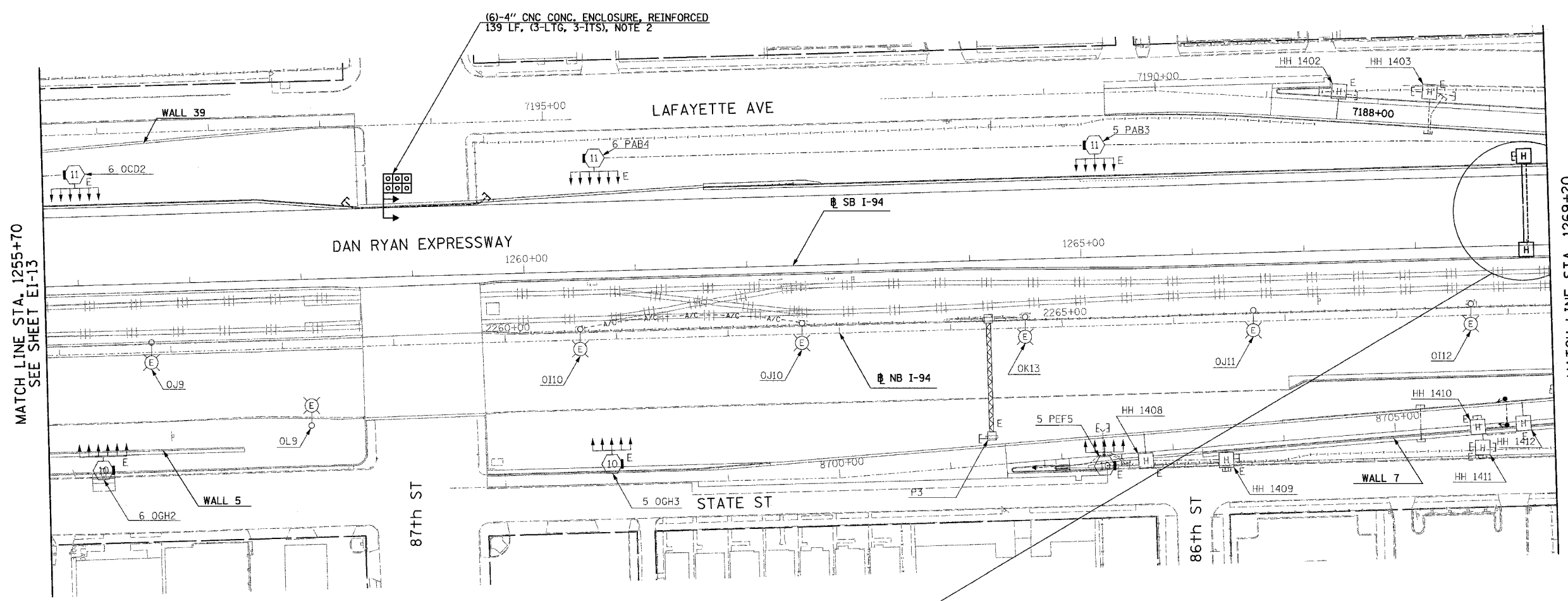


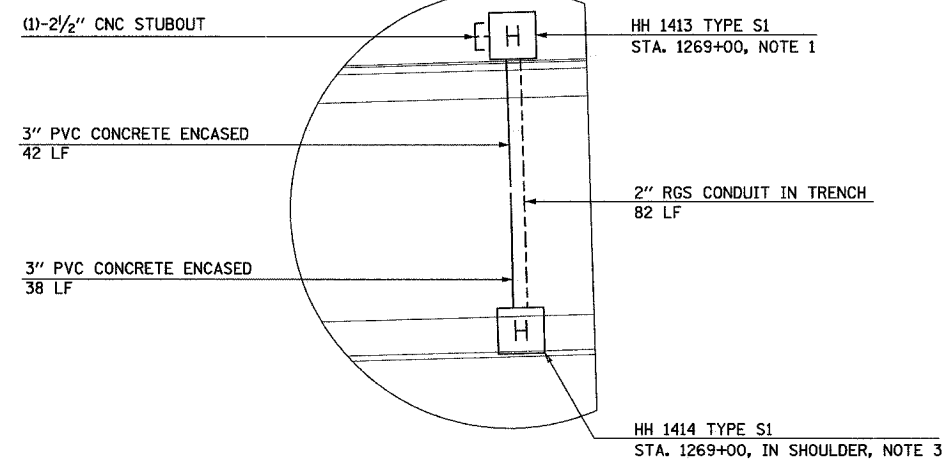
F.A.I. RTE.	SECTION	COUNTY	TOTAL SHEETS	SHEET NO.
94	*	COOK	764	474
STA. 1255+70		TO STA. 1269+00		
FED. ROAD DIST. NO.		ILLINOIS	FED. AID PROJECT	
* (1516.1, 1717, 1818) R-5		62593		

- NOTES:
- REFER SHEET EI-106 FOR HANDHOLE DETAILS. INSTALL HANDHOLE MINIMUM 2' BEHIND CURB.
 - REFER TO SHEETS EI-102 AND EI-103 FOR DUCTBANK INSTALLATION DETAILS.
 - REFER SHEET EI-110 FOR HANDHOLE DETAIL.



MATCH LINE STA. 1255+70
SEE SHEET EI-13

MATCH LINE STA. 1269+20
SEE SHEET EI-15



23/EI-14

SINGH
SINGH & ASSOCIATES, INC.
CONSULTING ENGINEERS

300 W. ADAMS ST.
CHICAGO, IL 60606
TEL: (312) 629-0240
FAX: (312) 629-8449

REVISIONS	
NAME	DATE

ILLINOIS DEPARTMENT OF TRANSPORTATION
F.A.I. 94 (DAN RYAN EXPRESSWAY)

ELECTRICAL INFRASTRUCTURE PLANS
PROPOSED IMPROVEMENTS

SCALE: 1"=50'
DATE: MARCH 1, 2006

DRAWN BY: VK
CHECKED BY: TM

2/27/2006 11:44:06 AM