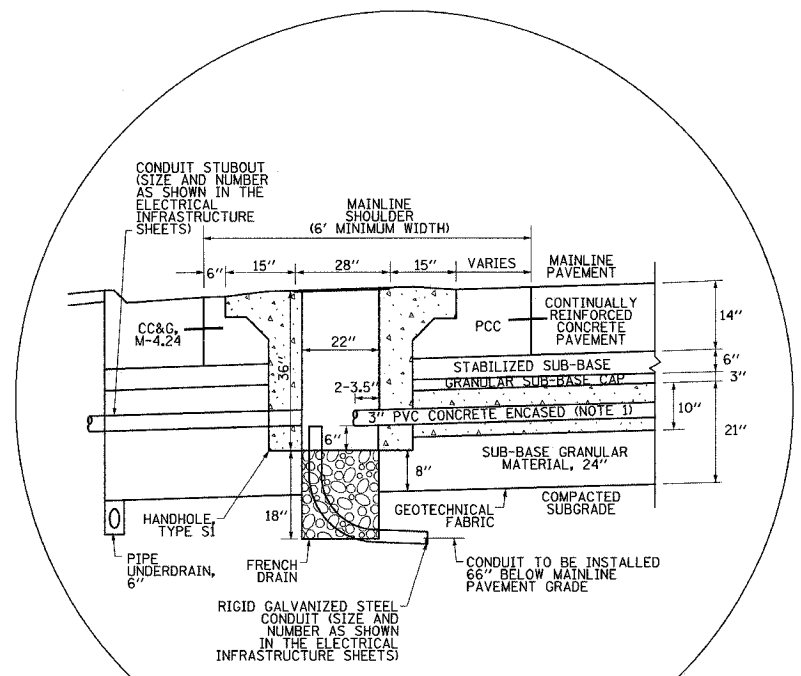
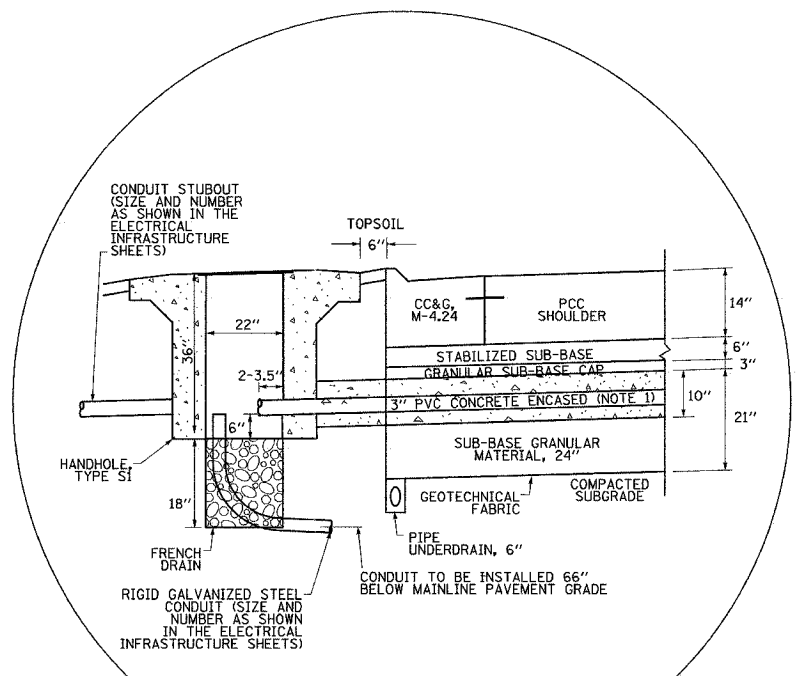


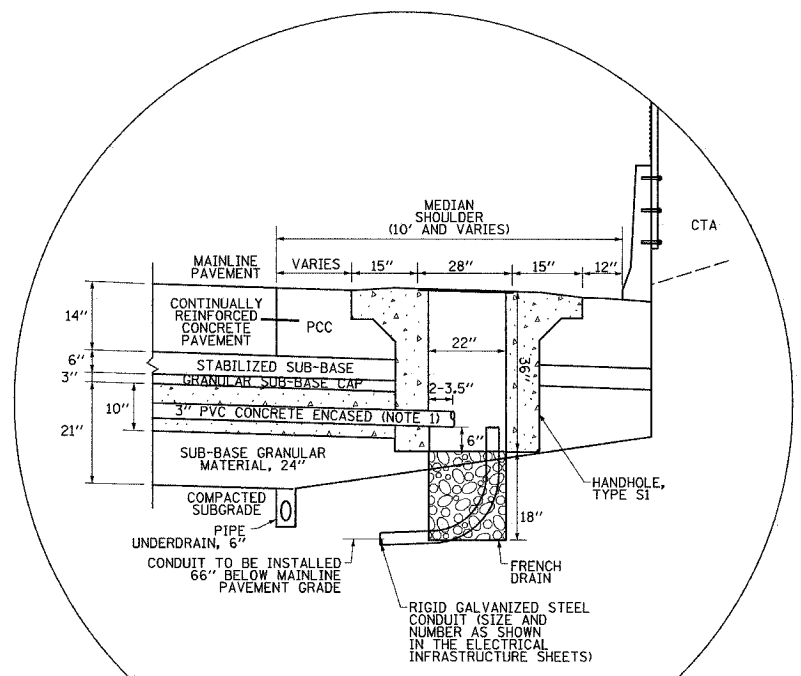
F.A.I. RTE.	SECTION	COUNTY	TOTAL SHEETS	SHEET NO.
94		COOK	764	482
STA.		TO STA.		
FED. ROAD DIST. NO.		ILLINOIS FED. AID PROJECT		
(1516.1, 1717, 1818) R-5		62593		



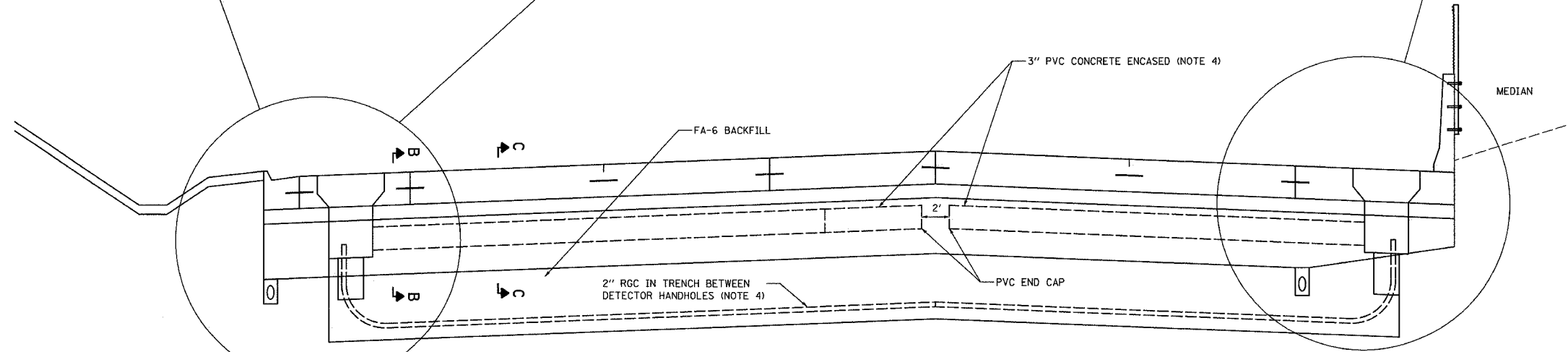
HANDHOLE INSTALLATION IN MAINLINE SHOULDER



HANDHOLE INSTALLATION BEHIND MAINLINE CURB



HANDHOLE INSTALLATION IN MEDIAN SHOULDER



TYPICAL MAINLINE DETECTOR INSTALLATION: SECTION A-A

NOTES

- 3" PVC CONCRETE ENCASED CONDUIT IS REQUIRED ONLY WHERE SHOWN ON THE PLAN DRAWINGS. WHEN INSTALLED, THE CONDUIT MUST MAINTAIN THE SAME ANGLE AS THE PAVEMENT THROUGHOUT ITS ENTIRE LENGTH.
- FOR HANDHOLE DETAIL SEE SHEET EI-106.
- WHEN INSTALLING CONDUIT NEAR OR THROUGH UNDERDRAIN GEOTECHNICAL FABRIC, THE CONTRACTOR SHALL MAINTAIN THE INTEGRITY AND UNIFORMITY OF THE UNDERDRAIN FABRIC THROUGH OVERLAP TO THE SATISFACTION OF THE ENGINEER.
- CONDUIT IS TO BE INSTALLED IN STAGES AS THE PAVEMENT IS BUILT. SEE SHEETS EI-110A AND EI-115.

SINGH 300 W. ADAMS ST.
CHICAGO, IL 60606
SINGH & ASSOCIATES, INC. TEL: (312) 629-0240
CONSULTING ENGINEERS FAX: (312) 629-8449

REVISIONS	
NAME	DATE

ILLINOIS DEPARTMENT OF TRANSPORTATION
F.A.I. 94 (DAN RYAN EXPRESSWAY)

TYPICAL MAINLINE DETECTOR
INSTALLATION DETAIL (SHEET 1 OF 2)

SCALE: NTS DRAWN BY: NB
DATE: MARCH 1, 2006 CHECKED BY: MJL

23/EI-110

J:\175\contract 23 details\23_0110 rev2.dwg 2/20/2006 2:08:11 PM