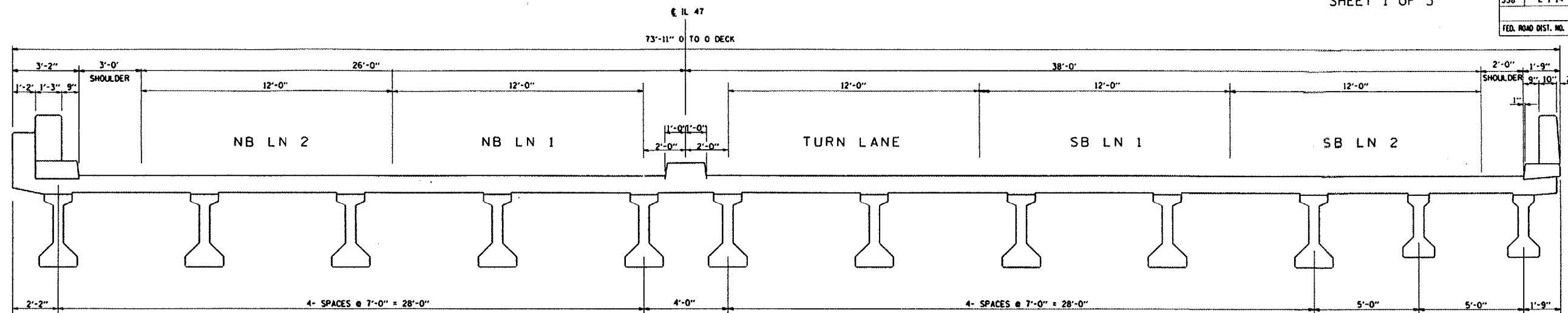
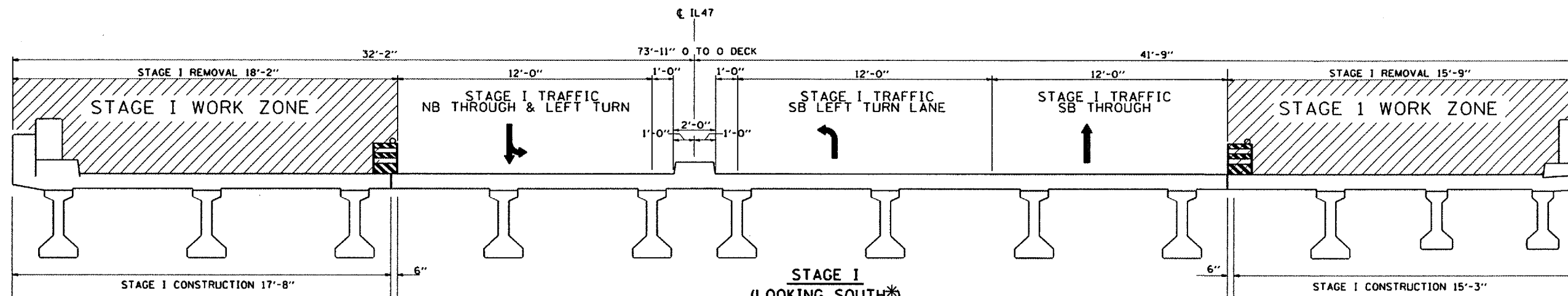


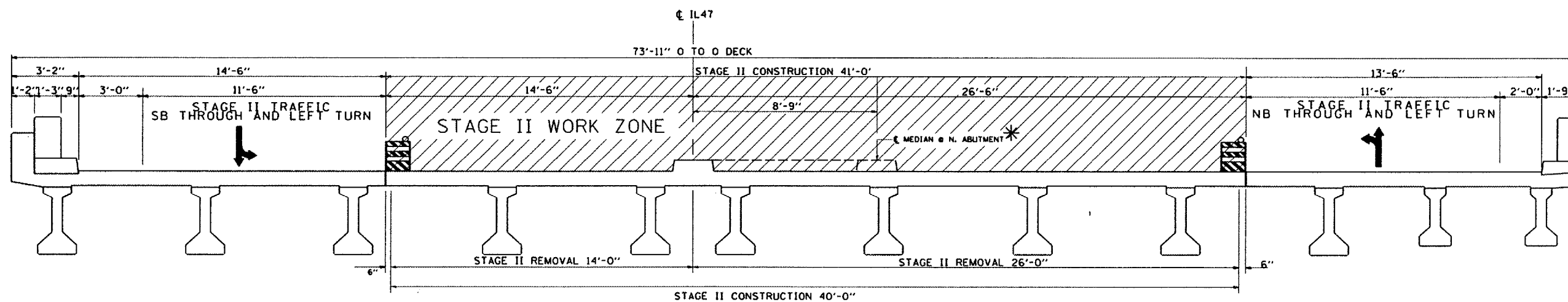
F.A.P. RTE.	SECTION	COUNTY	TOTAL SHEETS	SHEET NO.
338	E-1-14-1-2	DUPAGE	12	4
FED. ROAD DIST. NO. 1		ILLINOIS	FED. AID PROJECT	



CROSS SECTION
(LOOKING SOUTH*)



STAGE I
(LOOKING SOUTH*)



STAGE II
(LOOKING SOUTH*)

NOTE: ALL DIMENSIONS ARE AT RIGHT ANGLES TO THE ϕ RDWY
 WORK THIS SHEET WITH TRAFFIC CONTROL PLAN FOR EACH STAGE ON SHEETS 5 & 6
 * SHOWING MEDIAN CONFIGURATION & LEFT TURN LANE AT SOUTH ABUTMENT
 COVER CONFLICTING PAVEMENT MARKINGS WITH BLACK TYPE II TAPE.
 COST OF TYPE III TAPE & ITS REMOVAL IS INCLUDED IN THE COST OF "TRAFFIC CONTROL & PROTECTION STD 701401"

REVISIONS	NAME	DATE

ILLINOIS DEPARTMENT OF TRANSPORTATION
 IL 59 OVER I-88 BRIDGE
 STAGING PLAN
 SN 022-9900
 SCALE: NONE
 DATE: 2/10/06
 DRAWN BY: SHB
 CHECKED BY:

3/1/2006 c:\projects\62968\105\62968.dwg