

STATE OF ILLINOIS  
DEPARTMENT OF TRANSPORTATION

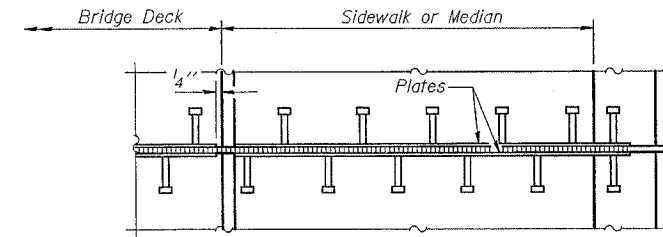
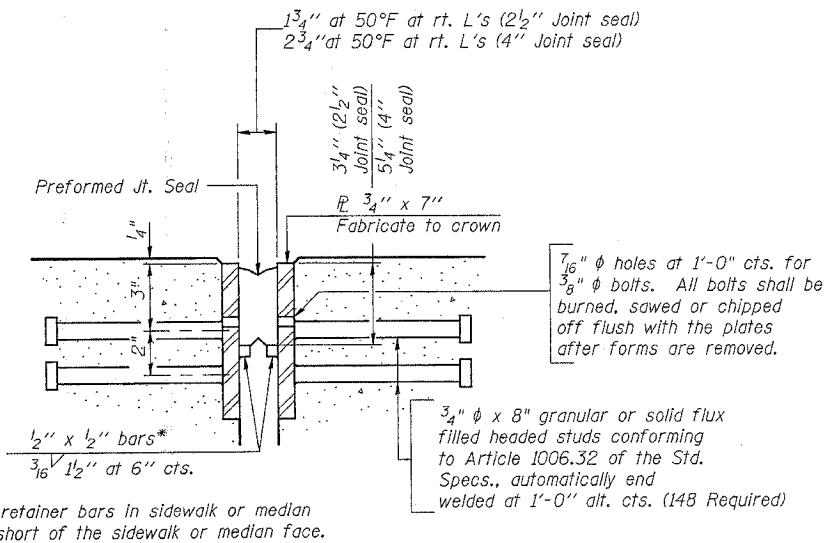
ROUTE NO.	SECTION	COUNTY	TOTAL SHEETS	SHEET	SHEET NO.
78	10BR-3D & 11BR-8	JO DAVIESS	45	34	12 SHEETS

FED. ROAD DIST. NO. 7 ILLINOIS FED. AID PROJECT-  
Contract # 64B27

GENERAL NOTES

Furnish steel plates in segments of 20 feet maximum length. Maximum space between installed segments shall be 3/16". Seal space with silicone sealant suitable for structural steel.

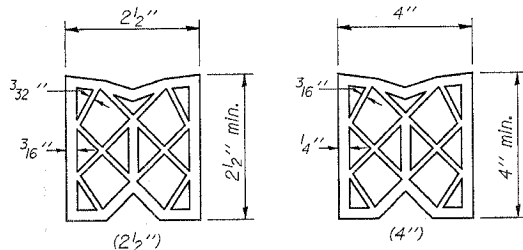
Bridge Joint System (Expansion)		
Design Movement	Required Prefomed Joint Seal Size	Required Strip Seal Rated Movement
1"	2 1/2"	1"
1 5/8"	4"	2"



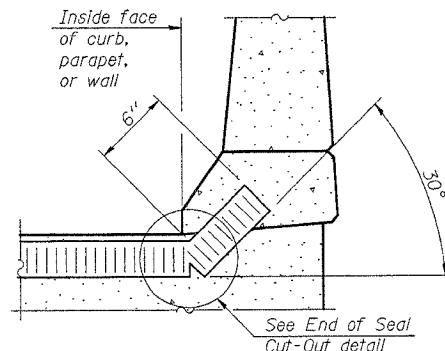
PLAN AT SIDEWALK OR MEDIAN

\*Cut retainer bars in sidewalk or median 6" short of the sidewalk or median face.

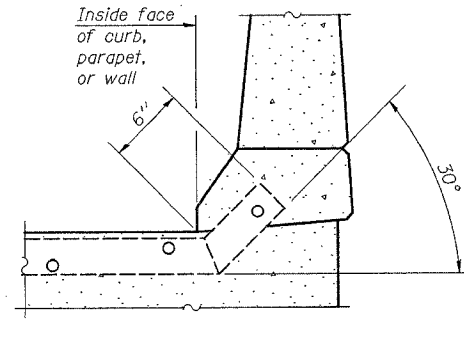
SECTION THRU EXPANSION JOINT  
(2 1/2" and 4" joint seals)



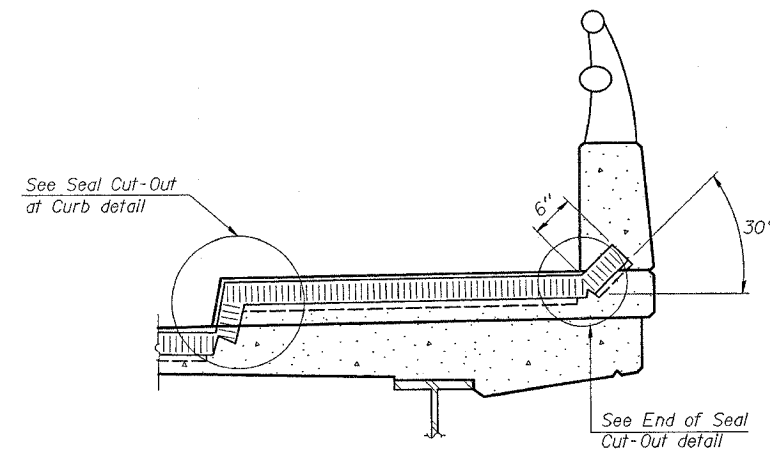
PREFORMED JOINT SEAL



AT CURB, PARAPET, OR WALL  
(Showing seal)



AT CURB, PARAPET, OR WALL  
(Showing plate)



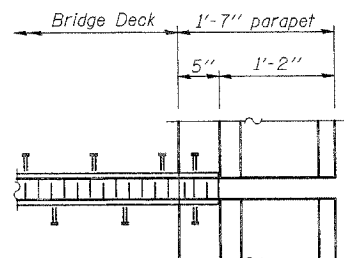
AT SIDEWALK OR MEDIAN\*  
(Showing plate and seal)

\* Shorter plates with a single row of studs at 12" centers may be necessary on medians which are shallower than 9". See manufacturer's recommendation.

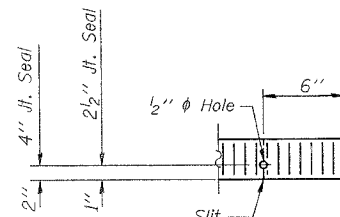
BILL OF MATERIAL

Item	Unit	Total
Bridge Joint System (Expansion) 1 5/8"	foot	36

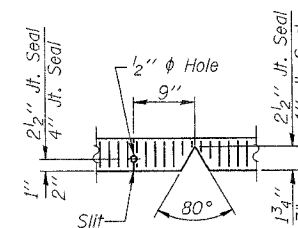
TYPICAL END TREATMENTS



PLAN AT PARAPET



END OF SEAL CUT-OUT



SEAL CUT-OUT AT CURB

(Sheet 1 of 2)  
BRIDGE JOINT SYSTEM - EXPANSION  
(PREFORMED JOINT SEAL)

IL. RTE. 78 OVER  
DAVIS CREEK  
F.A. 642 SECTION (10BR-3)D & 11BR-8  
JO DAVIESS COUNTY  
STA. 20+75.37  
STRUCTURE NUMBER 043-0042

DESIGNED	COM
CHECKED	EMM
DRAWN	COM
CHECKED	EMM

200  
EXAMINED  
ENGINEER OF BRIDGE DESIGN  
PASSED  
ENGINEER OF BRIDGES AND STRUCTURES

EJ-BJS

10-22-04

DATE : 12-21-05