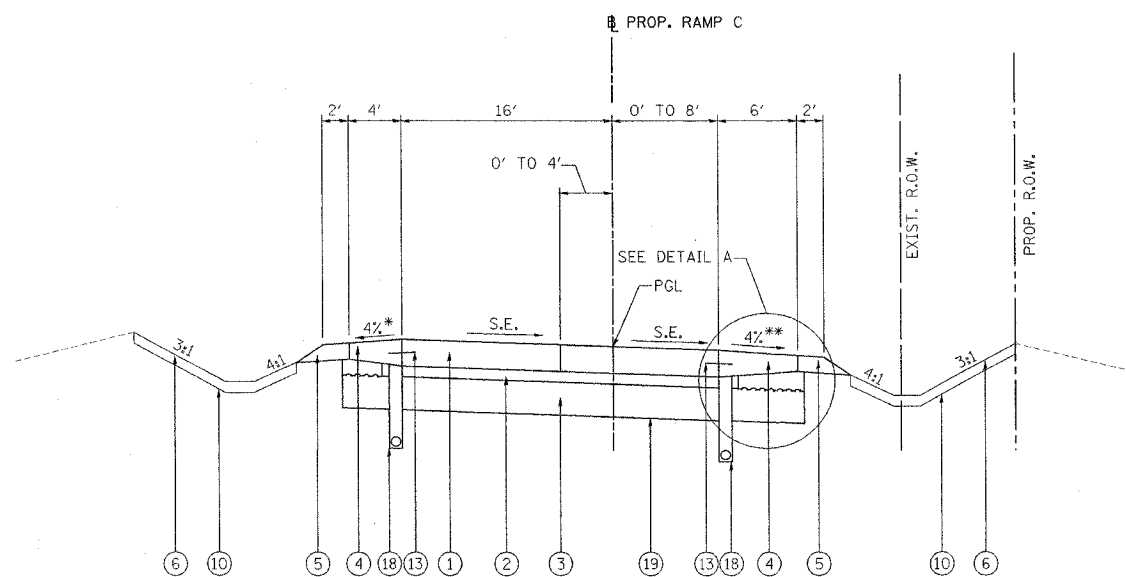
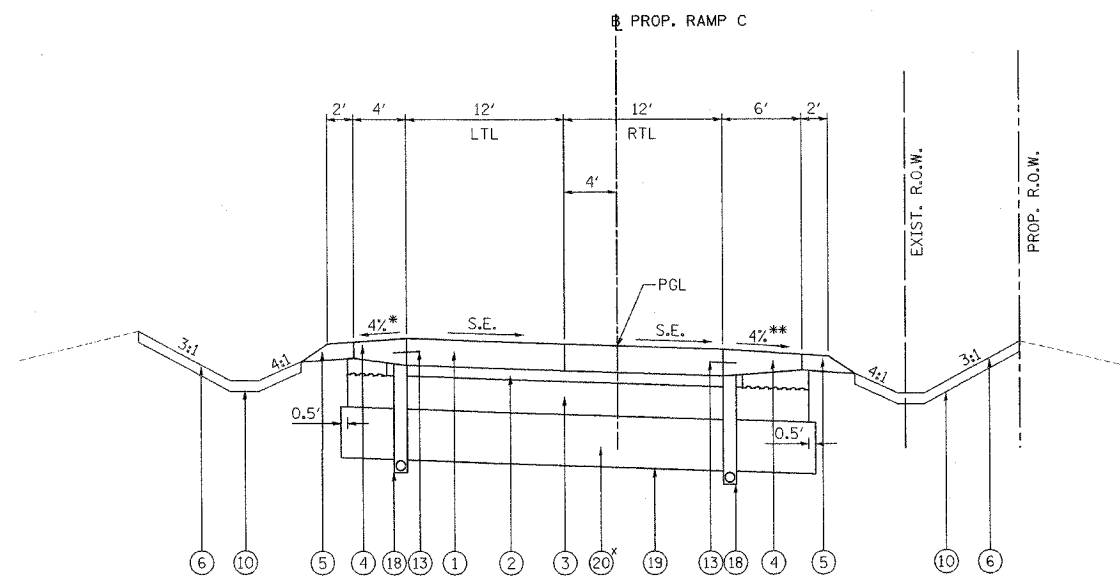


F.A.I. RTE.	SECTION	COUNTY	TOTAL SHEETS	SHEET NO.
80	(32, 47-4)K	KENDALL/GRUNDY	243	20
STA.	TO STA.			
FED. ROAD DIST. NO.	ILLINOIS	FED. AID PROJECT		
CONTRACT NO. 66294				



PROPOSED RAMP C SUPERELEVATED SECTION
STA. 195+90.03 TO STA. 197+15.03

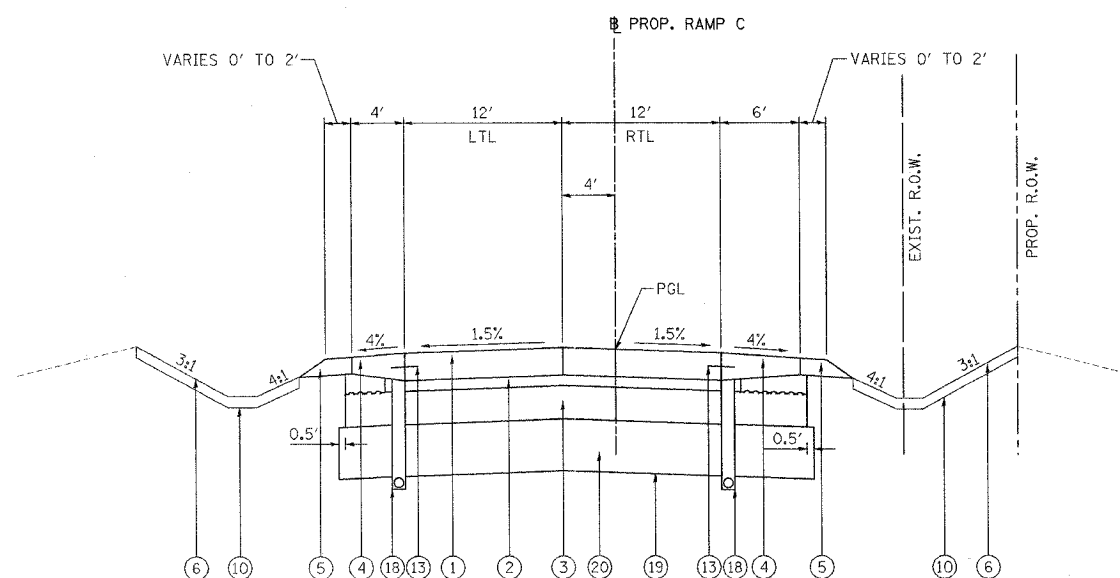


PROPOSED RAMP C SUPERELEVATED SECTION
STA. 197+15.03 TO STA. 198+12.61

*GRANULAR SUBGRADE REPLACEMENT, 3'
FROM STA. 198+00.00 TO STA. 198+12.61

LEGEND:

- ① PORTLAND CEMENT CONCRETE PAVEMENT 10" (JOINTED)
- ② STABILIZED SUB-BASE 4"
- ③ AGGREGATE SUBGRADE, 12"
- ④ PORTLAND CEMENT CONCRETE SHOULDER, 10" OR 14" (MATCH PAVEMENT THICKNESS)
- ⑤ AGGREGATE SHOULDER TYPE B, 6"
- ⑥ SEEDING, CLASS 2A
- ⑦ COMBINATION CONCRETE CURB AND GUTTER, TYPE B-6.24
- ⑧ CONCRETE MEDIAN, TYPE SB-6.24 (SPECIAL)
- ⑨ CONCRETE MEDIAN SURFACE, 6"
- ⑩ TOPSOIL, 4"
- ⑪ SODDING, SALT TOLERANT
- ⑫ LONGITUDINAL CONSTRUCTION JOINT, NO. 8 EPOXY COATED TIE BARS 24" LONG AT 24" CENTERS
- ⑬ LONGITUDINAL CONSTRUCTION JOINT, NO. 6 EPOXY COATED TIE BARS 24" LONG AT 24" CENTERS
- ⑭ SAWED LONGITUDINAL JOINT WITH NO. 6 x 30 EPOXY COATED DEFORMED TIE BARS AT 30" CENTERS
- ⑮ CONTINUOUSLY REINFORCED PORTLAND CEMENT CONCRETE PAVEMENT, 14"
- ⑯ STABILIZED SUB-BASE 6" (BAM)
- ⑰ AGGREGATE SHOULDER TYPE A, 4"
- ⑱ PIPE UNDERDRAINS 4" (MODIFIED)
- ⑲ GEOTECHNICAL FABRIC FOR GROUND STABILIZATION
- ⑳ GRANULAR SUBGRADE REPLACEMENT
- ㉑ PORTLAND CEMENT CONCRETE SIDEWALK, 4"



PROPOSED RAMP C TANGENT SECTION
STA. 198+12.61 TO STA. 198+91.40

* WHEN THE SUPERELEVATION RATE OF THE PAVEMENT EXCEEDS 4%, THE SHOULDER SHALL BE SLOPED SO THAT THE ALGEBRAIC DIFFERENCE BETWEEN PAVEMENT AND SHOULDER SLOPES WILL NOT BE GREATER THAN 8%.

** SLOPE OF SHOULDER SHALL BE THE SAME AS THE SUPERELEVATION RATE BUT NOT LESS THAN 4%.

REVISIONS	
NAME	DATE

ILLINOIS DEPARTMENT OF TRANSPORTATION
FAI ROUTE 80 (I-80 AT MINOOKA INTERCHANGE)

PROPOSED TYPICAL SECTIONS

SCALE: NONE

DRAWN BY: NJS

DATE: 2/10/06

CHECKED BY: JJC

NOTE: SEE SUPERELEVATION TRANSITIONS SHEET FOR DETAILS ON THE SUPERELEVATION RATES