
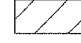
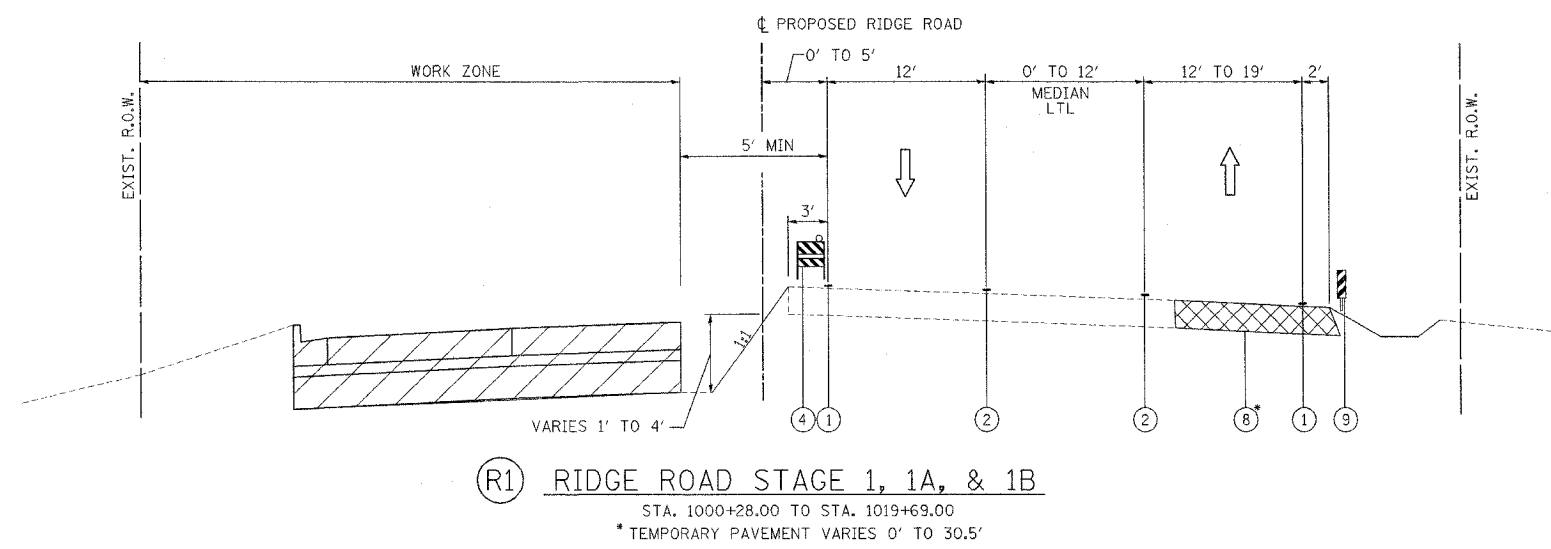


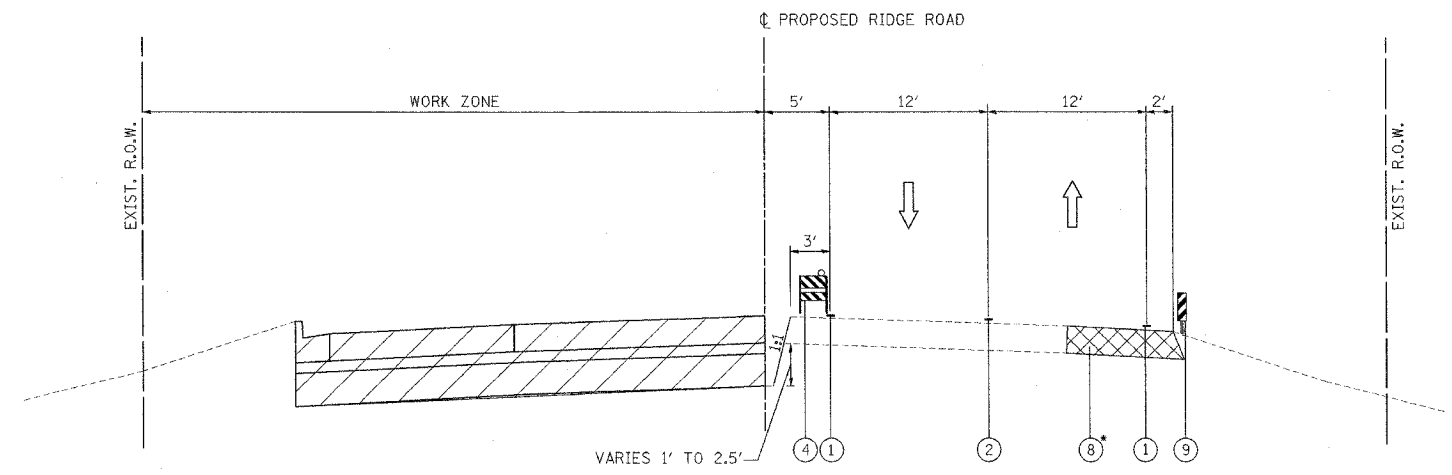
F.A.I. RTE.	SECTION	COUNTY	TOTAL SHEETS	SHEET NO.
80	(32, 47-4)K	KENDALL/GRUNDY	243	49
STA.	TO STA.			
FED. ROAD DIST. NO.	ILLINOIS	FED. AID PROJECT		
CONTRACT NO. 66294				

LEGEND:

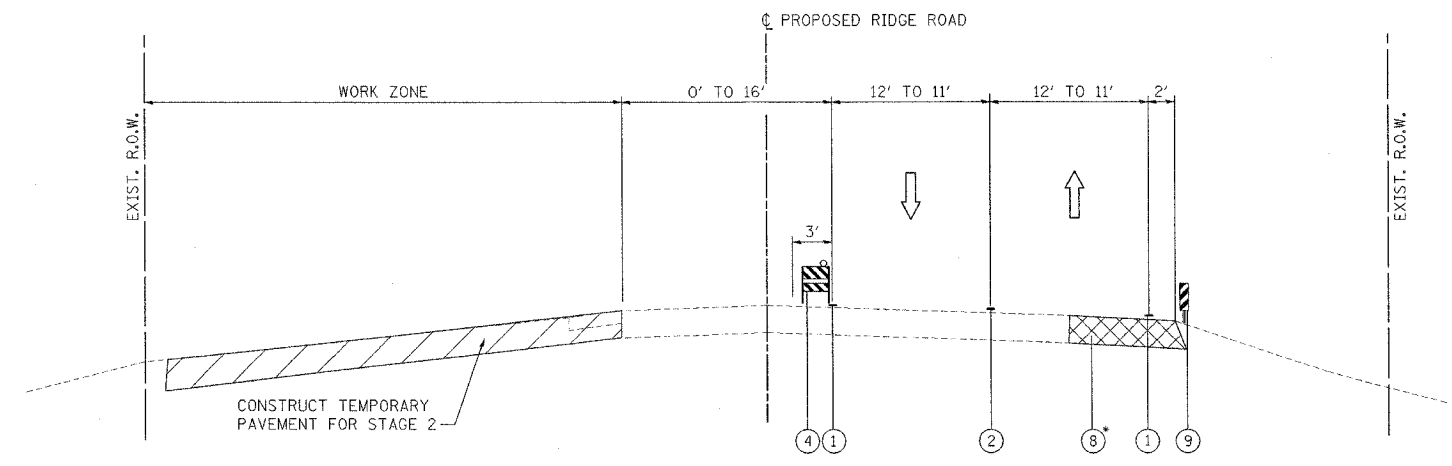
- ① TEMPORARY PAVEMENT MARKING LINE, 4 INCHES (WHITE)
 - ② TEMPORARY PAVEMENT MARKING LINE, 4 INCHES (DOUBLE YELLOW)
 - ③ TEMPORARY PAVEMENT MARKING LINE, 4 INCHES (YELLOW)
 - ④ TYPE II BARRICADE OR DRUM WITH STEADY BURNING LIGHT
 - ⑤ PAVEMENT MARKING TAPE, TYPE 3, 4 INCHES (WHITE)
 - ⑥ PAVEMENT MARKING TAPE, TYPE 3, 4 INCHES (DOUBLE YELLOW)
 - ⑦ PAVEMENT MARKING TAPE, TYPE 3, 4 INCHES (YELLOW)
 - ⑧ TEMPORARY PAVEMENT
 - ⑨ VERTICAL PANEL
-  BITUMINOUS TEMPORARY PAVEMENT, 10.5"
 NEW CONSTRUCTION



(R1) RIDGE ROAD STAGE 1, 1A, & 1B
 STA. 1000+28.00 TO STA. 1019+69.00
 *TEMPORARY PAVEMENT VARIES 0' TO 30.5'



(R2) RIDGE ROAD STAGE 1, 1A, & 1B
 STA. 1019+69.00 TO STA. 1025+50.00
 *TEMPORARY PAVEMENT VARIES 18.5' TO 19.6'



(R3) RIDGE ROAD STAGE 1, 1A, & 1B
 STA. 1025+50.00 TO STA. 1029+75
 *TEMPORARY PAVEMENT VARIES 0' TO 19.6'

NOTE: SEE RIDGE ROAD PRE-STAGE PLAN SHEETS FOR EXACT LOCATION OF TEMPORARY PAVEMENT.

REVISIONS		ILLINOIS DEPARTMENT OF TRANSPORTATION FAI ROUTE 80 (I-80 AT MINOOKA INTERCHANGE)
NAME	DATE	
		SUGGESTED STAGING OF CONSTRUCTION & TRAFFIC CONTROL TYPICAL SECTIONS RIDGE ROAD STAGE 1, 1A, & 1B
SCALE: NONE	DRAWN BY: MAT	MOT-2 OF 31
DATE: 2/10/06	CHECKED BY: JJC	

PATRICK
 ENGINEERING INC.
 LISLE, ILLINOIS