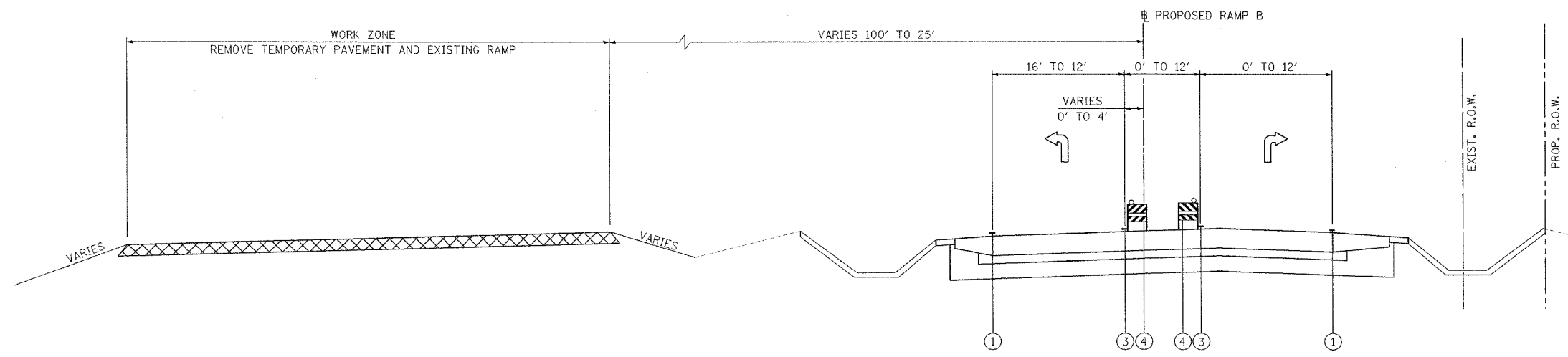

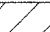
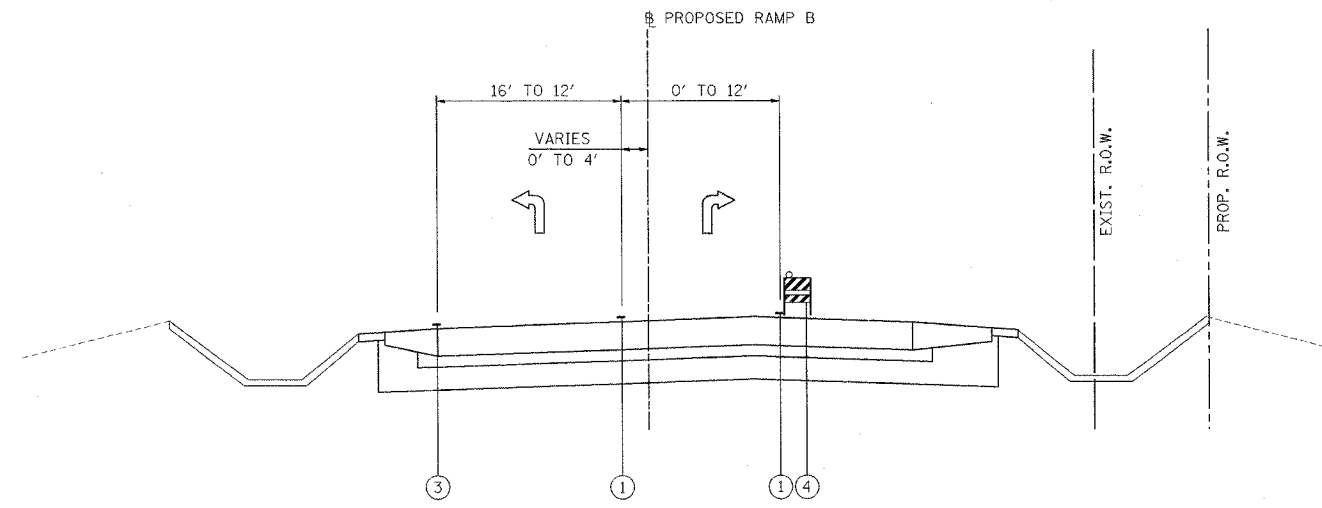


F.A.I. RTE.	SECTION	COUNTY	TOTAL SHEETS	SHEET NO.
80	(32, 47-4)K	KENDALL/GRUNDY	243	54
STA.	TO STA.			
FED. ROAD DIST. NO.	ILLINOIS	FED. AID PROJECT		
CONTRACT NO. 66294				



- ① TEMPORARY PAVEMENT MARKING LINE, 4 INCHES (WHITE)
 - ② TEMPORARY PAVEMENT MARKING LINE, 4 INCHES (DOUBLE YELLOW)
 - ③ TEMPORARY PAVEMENT MARKING LINE, 4 INCHES (YELLOW)
 - ④ TYPE II BARRICADE OR DRUM WITH STEADY BURNING LIGHT
 - ⑤ PAVEMENT MARKING TAPE, TYPE 3, 4 INCHES (WHITE)
 - ⑥ PAVEMENT MARKING TAPE, TYPE 3, 4 INCHES (DOUBLE YELLOW)
 - ⑦ PAVEMENT MARKING TAPE, TYPE 3, 4 INCHES (YELLOW)
 - ⑧ TEMPORARY PAVEMENT
 - ⑨ VERTICAL PANEL
-  BITUMINOUS TEMPORARY PAVEMENT, 11"
 NEW CONSTRUCTION

(B3) RAMP B STAGE 1A & 3
 STA. 381+33.22 TO 399+65.51



(B4) RAMP B STAGE 2
 STA. 381+33.22 TO 399+65.51

PATRICK
 ENGINEERING INC.
 LISLE, ILLINOIS

REVISIONS	
NAME	DATE

ILLINOIS DEPARTMENT OF TRANSPORTATION
 I-80 AT MINOOKA INTERCHANGE
 SUGGESTED STAGING OF CONSTRUCTION
 & TRAFFIC CONTROL
 TYPICAL SECTIONS
 RAMP B STAGE 1A, 2, & 3
 SCALE: NONE
 DATE: 2/10/06
 DRAWN BY: MAT
 CHECKED BY: JJC