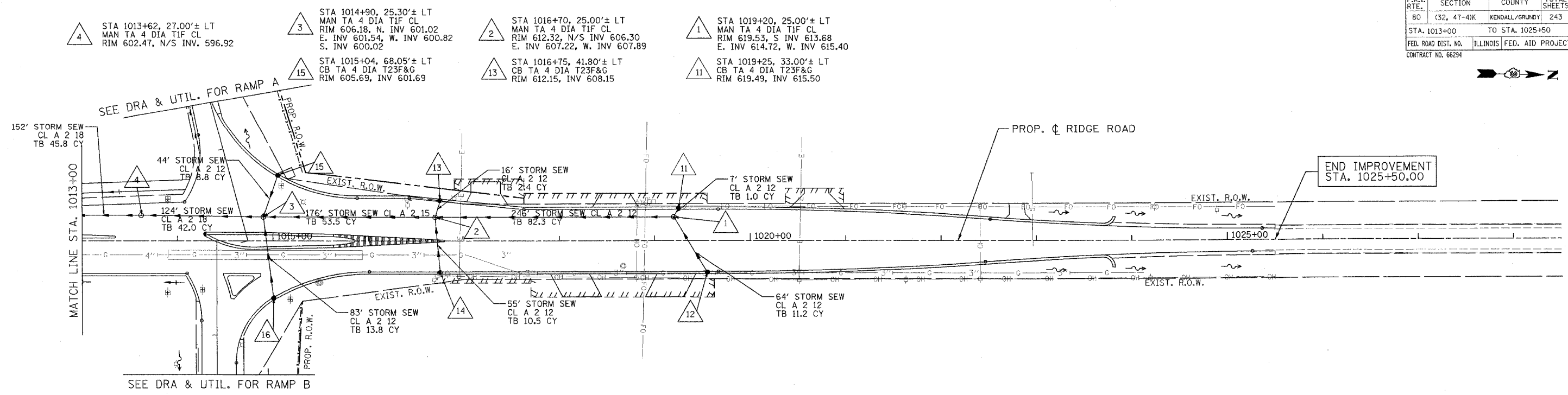


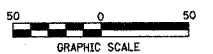
F.A.I. RTE.	SECTION	COUNTY	TOTAL SHEETS	SHEET NO.
80	(32, 47-4)K	KENDALL/GRUNDY	243	91
STA. 1013+00		TO STA. 1025+50		
FED. ROAD DIST. NO.		ILLINOIS FED. AID PROJECT		
CONTRACT NO. 66294				



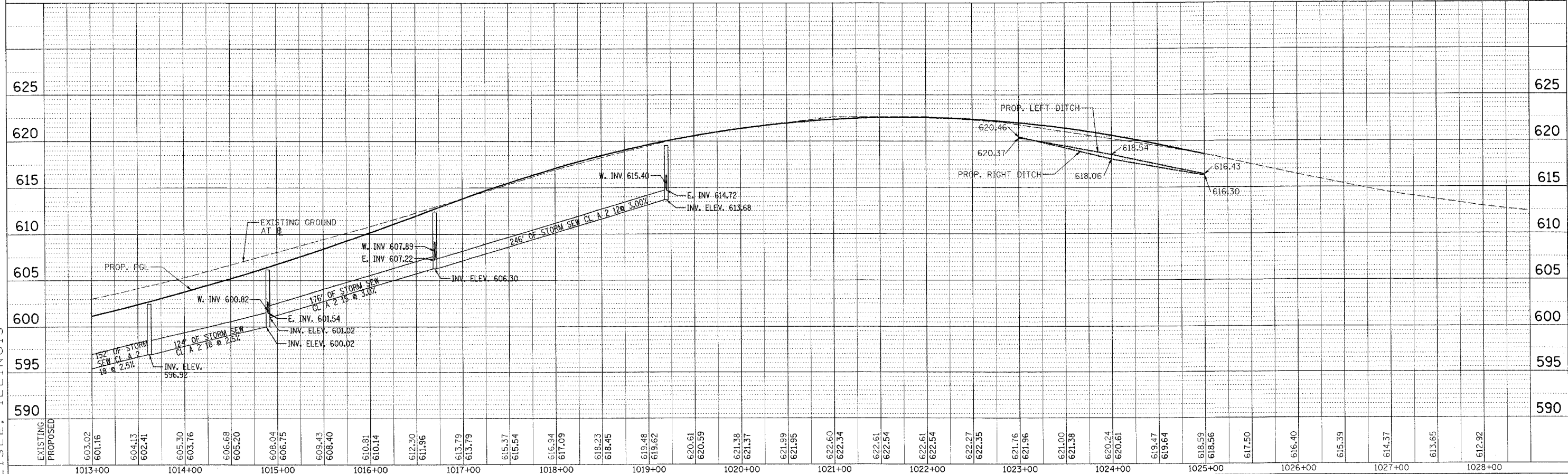
DATE: _____ BY: _____
 SURVEYED: _____ PLOTTED: _____
 NOTE BOOK: _____ REVISIONS: _____
 NO. _____ DATE FILE NAME: _____



- 4 STA 1013+62, 27.00'± LT
MAN TA 4 DIA TIF CL
RIM 602.47, N/S INV. 596.92
- 3 STA 1014+90, 25.30'± LT
MAN TA 4 DIA TIF CL
RIM 606.18, N. INV 601.02
E. INV 601.54, W. INV 600.82
S. INV 600.02
- 2 STA 1016+70, 25.00'± LT
MAN TA 4 DIA TIF CL
RIM 612.32, N/S INV 606.30
E. INV 607.22, W. INV 607.89
- 1 STA 1019+20, 25.00'± LT
MAN TA 4 DIA TIF CL
RIM 619.53, S INV 613.68
E. INV 614.72, W. INV 615.40
- 15 STA 1015+04, 68.05'± LT
CB TA 4 DIA T23F&G
RIM 605.69, INV 601.69
- 13 STA 1016+75, 41.80'± LT
CB TA 4 DIA T23F&G
RIM 612.15, INV 608.15
- 11 STA 1019+25, 33.00'± LT
CB TA 4 DIA T23F&G
RIM 619.49, INV 615.50
- 16 STA 1015+00, 60.19'± RT
CB TA 4 DIA T23F&G
RIM 606.61, INV 602.60
- 14 STA 1016+75, 33.00'± RT
CB TA 4 DIA T23F&G
RIM 612.33, INV 608.30
- 12 STA 1019+55, 33.00'± RT
CB TA 4 DIA T23F&G
RIM 620.02, INV 616.00



DATE: _____ BY: _____
 PROFILE: _____ PLOTTED: _____
 NOTE BOOK: _____ REVISIONS: _____
 NO. _____ DATE FILE NAME: _____



PATRICK ENGINEERING INC.
 LISLE, ILLINOIS