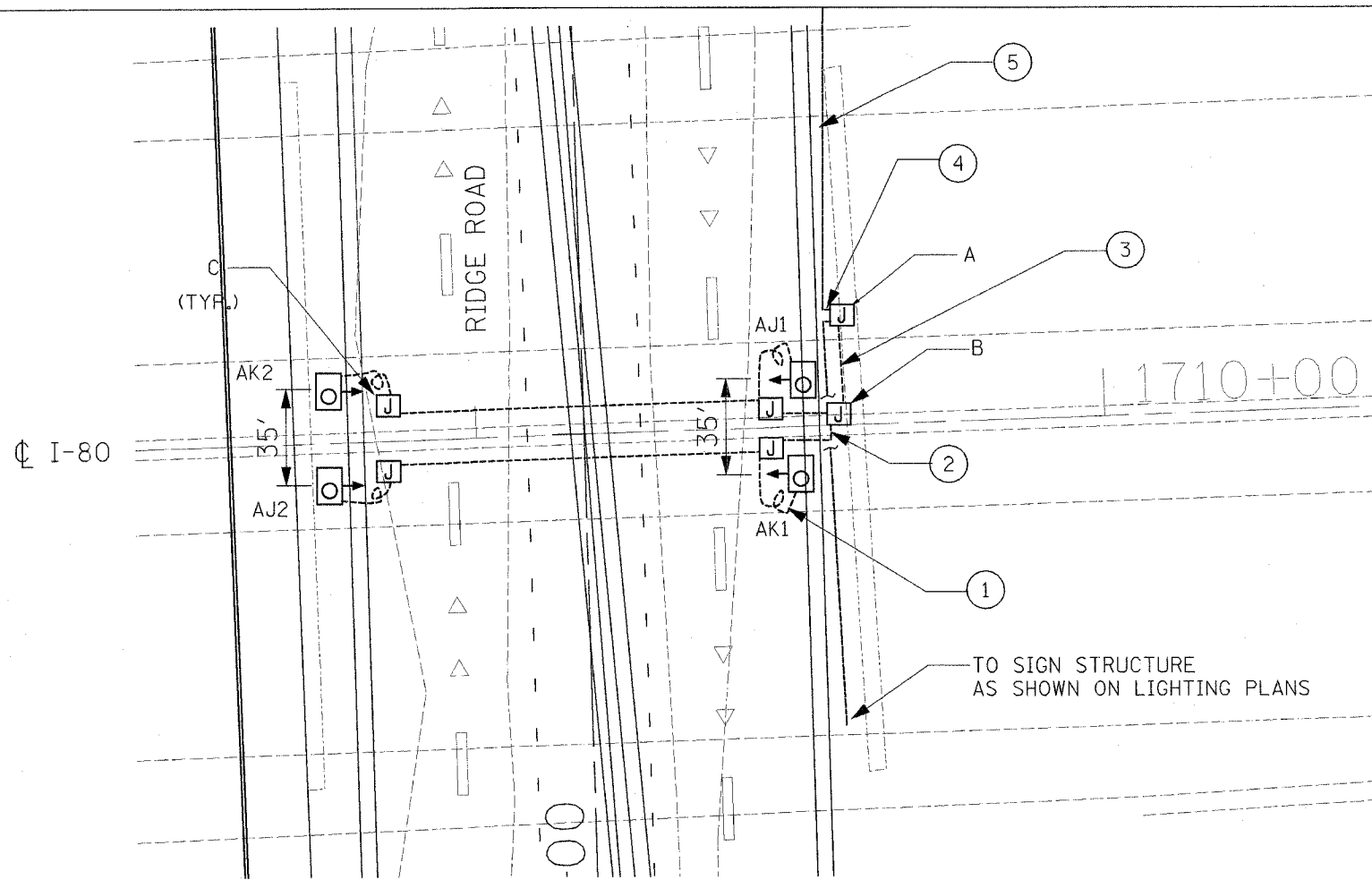
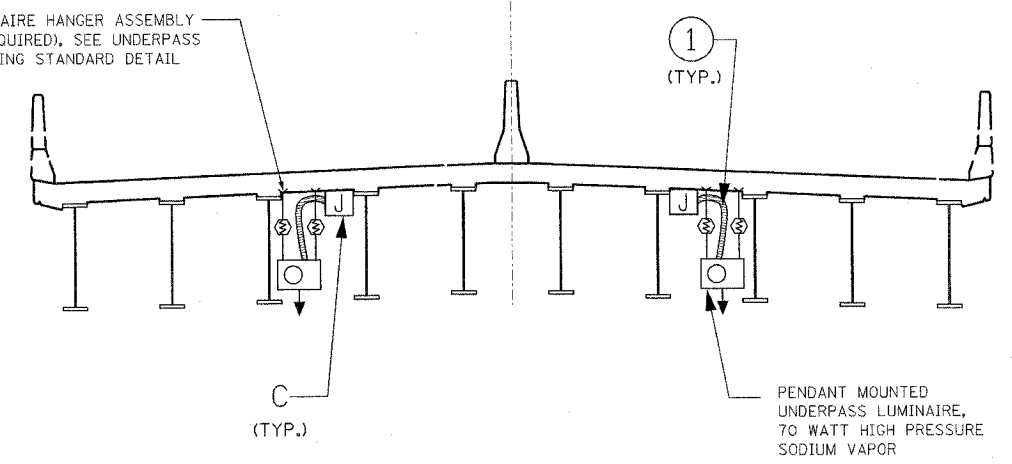


F.A.I. RTE.	SECTION	COUNTY	TOTAL SHEETS	SHEET NO.
80	(32, 47-4K)	KENDALL/GRUNDY	243	145
STA.	TO STA.			
FED. ROAD DIST. NO.	ILLINOIS	FED. AID PROJECT		
CONTRACT NO. 66294				



PLAN VIEW
F.A.I. 80 OVER RIDGE ROAD
LOOKING FROM TOP
(NOT TO SCALE)

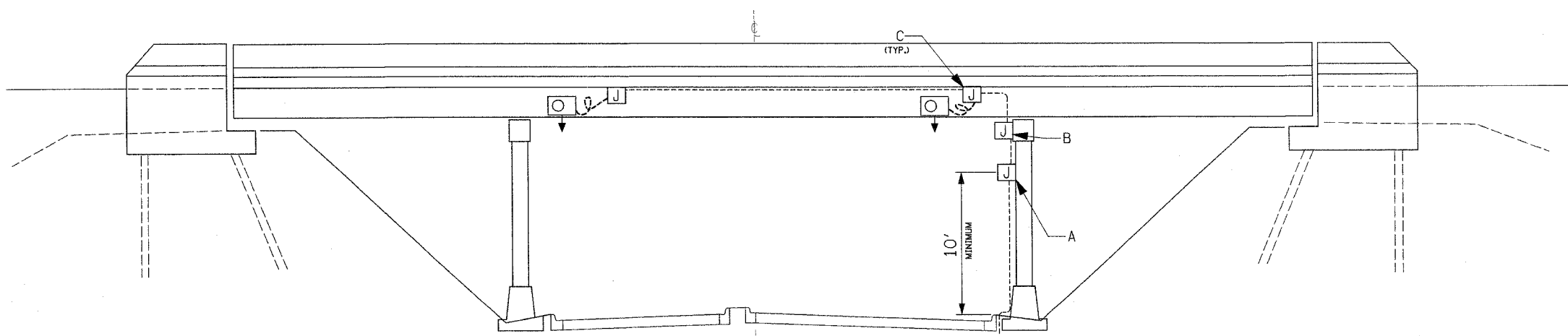
LUMINAIRE HANGER ASSEMBLY
(4 REQUIRED), SEE UNDERPASS
LIGHTING STANDARD DETAIL



I-BEAM ELEVATION PLAN
F.A.I. 80 OVER RIDGE ROAD
(LOOKING EAST/WEST)
(NOT TO SCALE)

- NOTES:**
1. UNDERPASS LUMINAIRE SHALL BE SET BACK 2 FEET FROM THE EDGE OF PAVEMENT.
 2. THE SPACING BETWEEN EACH TWO LUMINAIRE ON ONE SIDE OF THE BRIDGE SHALL BE 35 FEET AS SHOWN ON THIS PLAN.
 3. THE MAXIMUM WEIGHT LIMIT OF EACH UNDERPASS LUMINAIRE SHALL NOT EXCEED 60 LBS. FOR LUMINAIRE MOUNTED TO THE UNDERSIDE OF THE BRIDGE DECK.
 4. THE UNDERPASS LUMINAIRE SHALL BE INSTALLED CENTERED UNDER THE DECK AND HAVE EQUAL DISTANCE ON BOTH SIDES FROM THE EDGE OF THE BRIDGE DECK.

- LEGEND**
- UNDERPASS LUMINAIRE, 70 WATT, HIGH PRESSURE SODIUM
 - A JUNCTION BOX, ATTACHED TO STRUCTURE, 16" X 14" X 6"
 - B JUNCTION BOX, ATTACHED TO STRUCTURE, 10" X 8" X 6"
 - C JUNCTION BOX, ATTACHED TO STRUCTURE, 6" X 4" X 4"
 - 2/C*10, 1/C*10 GND. IN LIQUID TIGHT FLEXIBLE METALLIC CONDUIT, 1 INCH
 - 3/C*10, 1/C*10 GND. IN CONDUIT ATTACHED TO STRUCTURE, 1" DIA. GALVANIZED STEEL, PVC COATED
 - 3/C*10, 1/C*10 GND. IN CONDUIT ATTACHED TO STRUCTURE, 1" DIA. GALVANIZED STEEL, PVC COATED
 - UNIT DUCT 3-1/4" #4, 1/C #6 GND. 600V (XLP-TYPE-USE), 1/4" DIA. IN CONDUIT ATTACHED TO STRUCTURE, 3" DIA. GALVANIZED STEEL, PVC COATED
 - UNIT DUCT 3-1/4" #4, 1/C #6 GND. 600V (XLP-TYPE-USE), 1/4" DIA. IN TRENCH.



ELEVATION
F.A.I. 80 OVER RIDGE ROAD
LOOKING NORTH/SOUTH
(NOT TO SCALE)

REVISIONS		ILLINOIS DEPARTMENT OF TRANSPORTATION FAI ROUTE 80 (I-80 AT MINOOKA INTERCHANGE)
NAME	DATE	
		I-80 OVER RIDGE ROAD PROPOSED UNDERPASS LIGHTING PLAN

SCALE: NONE
DATE: 2/10/06

DRAWN BY: KGP/MAE
CHECKED BY: MAE/PKG

GO GANDHI AND ASSOCIATES, INC.
ENGINEERS AND PLANNERS
6030 N. NORTHWEST HIGHWAY
SUITE 206
CHICAGO, ILLINOIS 60631 TEL. (773) 774-590

PATRICK
ENGINEERING INC.
LISLE, ILLINOIS