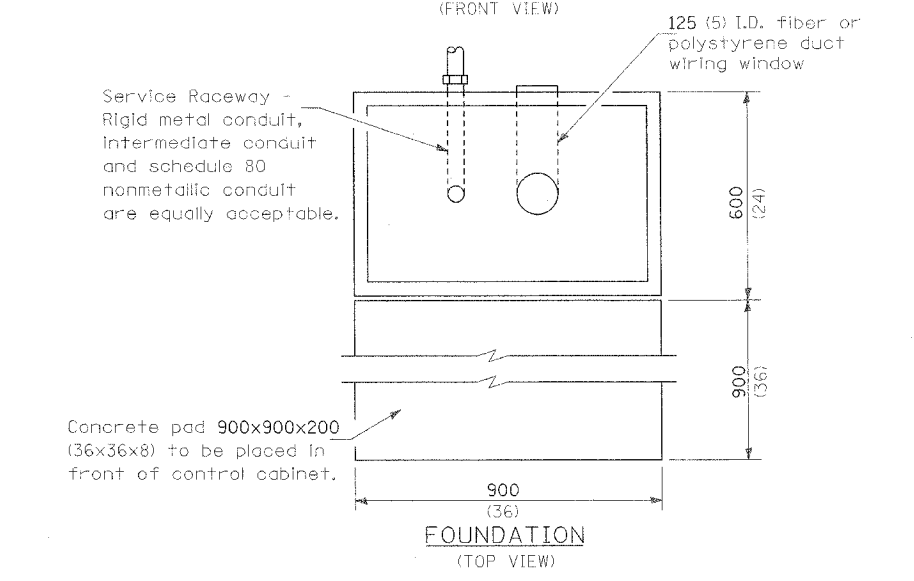
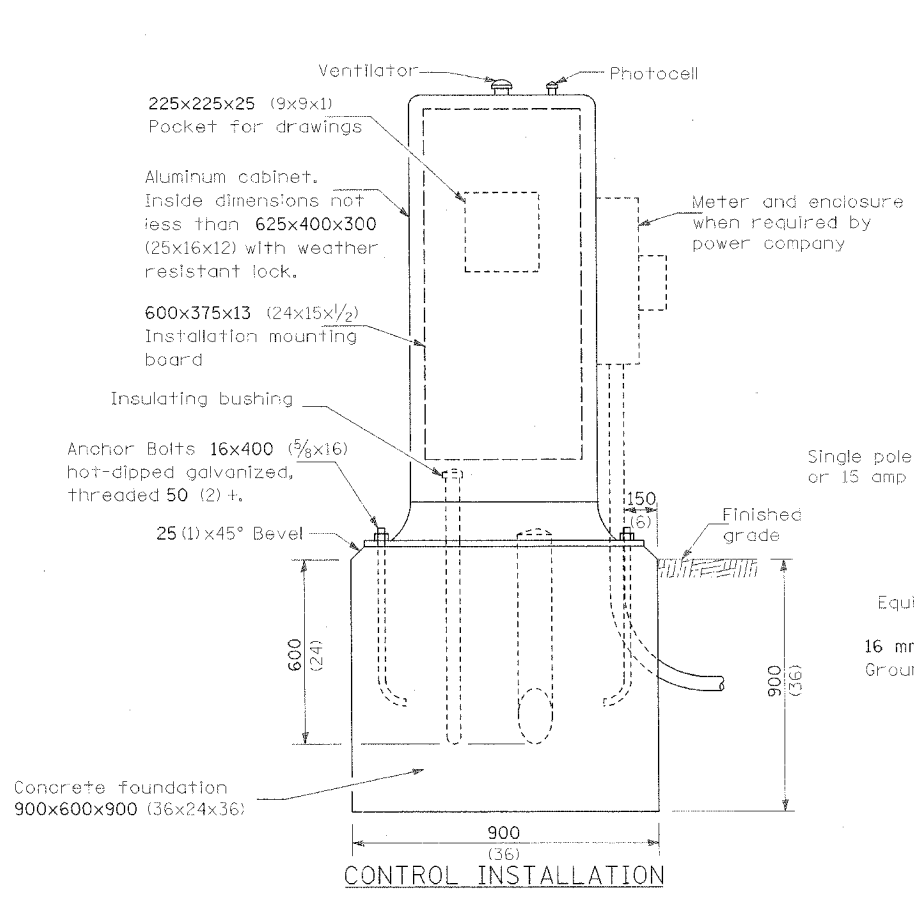
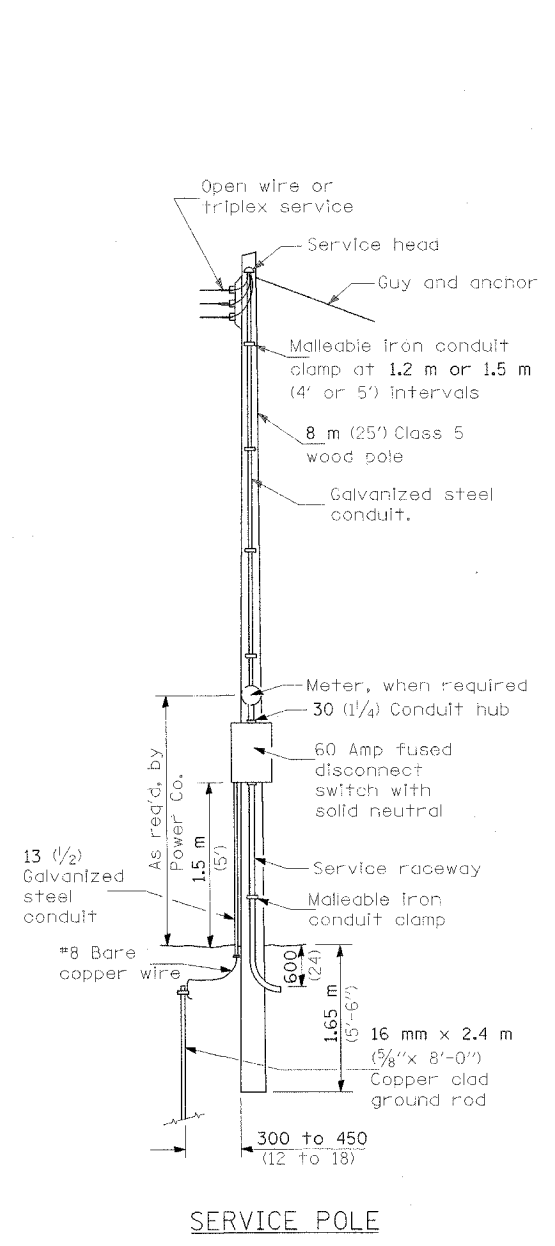
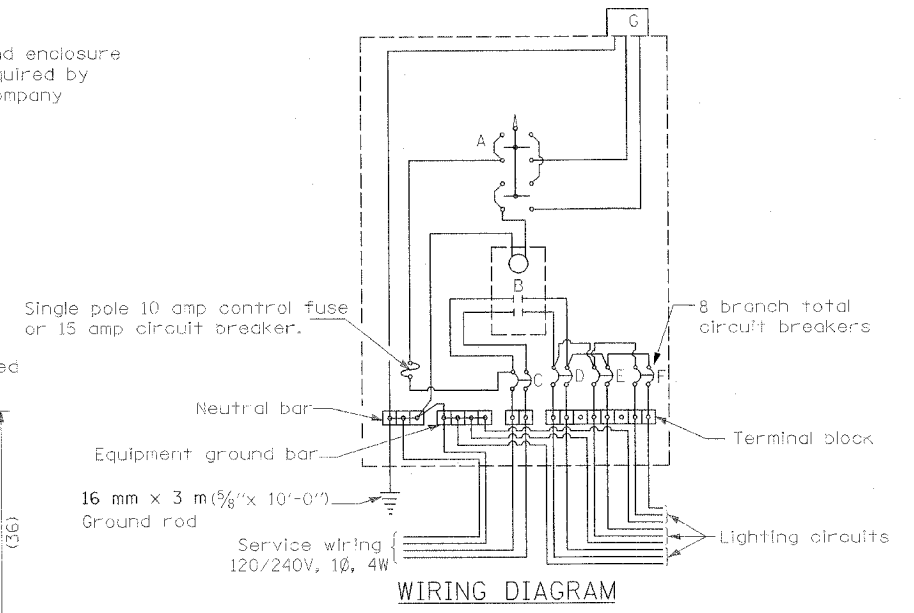


F.A.I. RTE.	SECTION	COUNTY	TOTAL SHEETS	SHEET NO.
80	132, 47-4)K	KENDALL/GRUNDY	243	147
STA.		TO STA.		
FED. ROAD DIST. NO.		ILLINOIS	FED. AID PROJECT	
CONTRACT NO. 66294				



- A Selector switch
- B 2 Pole 100 amp contactor
- C 2 Pole 200 amp service disconnect
- D,E,F,... 2 Pole 30 amp breakers (8 branch breakers total)
- G Photocell w/integral surge arrester



**GENERAL NOTES**

Locate service pole and control installation adjacent to R.O.W. line with a minimum distance of 9 m (30') from the edge of pavement. Exact location shall be established by the Engineer.

The underground service entrance wiring shall not exceed 46 m (150'). Total aerial and underground service between the control installation and primary transformer shall not exceed 76 m (250').

Raceways shall terminate 75 (3) above top of concrete foundation.

For 480 V. systems, a 480/120 V. control transformer will be required.

All dimensions are in millimeters unless otherwise shown.

- 240 V. SERVICE
- 480 V. SERVICE

**CONTROL INSTALLATION  
TYPE CB-RCS-200**

REVISIONS	
NAME	DATE

ILLINOIS DEPARTMENT OF TRANSPORTATION  
FAI ROUTE 80 (I-80 AT MINOOKA INTERCHANGE)

LIGHTING STANDARDS  
LIGHTING CONTROLLER DETAIL

SCALE: NONE  
DATE: 2/10/06

DRAWN BY: KGP/MAE  
CHECKED BY: MAE/PKG

LGT005.M32

**GO** GANDHI AND ASSOCIATES, INC.  
ENGINEERS AND PLANNERS  
6035 N. NORTHWEST HIGHWAY  
SUITE 306  
CHICAGO, ILLINOIS 60631 TEL. (773) 774-5900

**PATRICK**  
ENGINEERING INC.  
LISLE, ILLINOIS