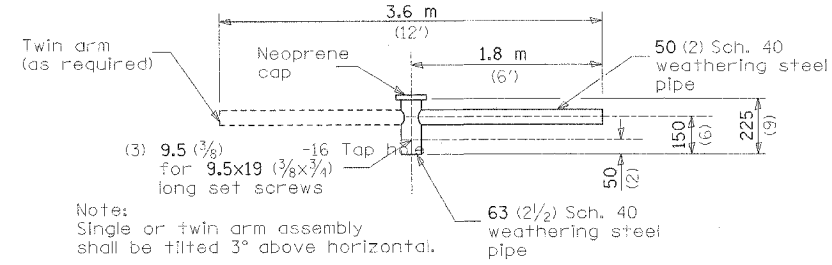


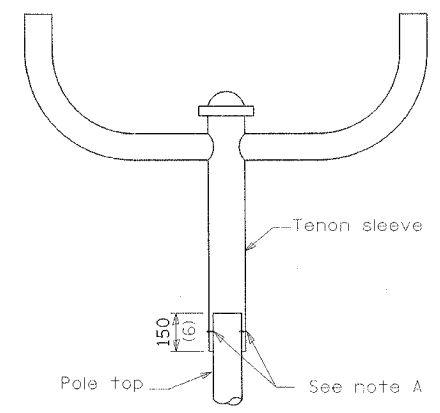
F.A.I. R.T.E.	SECTION	COUNTY	TOTAL SHEETS	SHEET NO.
80	132, 47-41K	KENDALL/GRUNDY	243	150
STA.	TO STA.			
FED. ROAD DIST. NO.	ILLINOIS FED. AID PROJECT			
CONTRACT NO. 66294				

Note A:  
 Install and orient arm bracket over pole tenon and firmly hand tighten the two set screws. Use third hole in arm bracket as a guide to drill a 8.3 (5/8) diameter hole through tenon. Install and tighten self-tapping screw. Tighten set screws an additional (1/4 to 3/8) turn with hex key (not provided). Install locknuts on set screws if threaded projection allows.

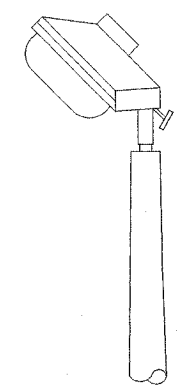


Note:  
 Single or twin arm assembly shall be tilted 3° above horizontal.

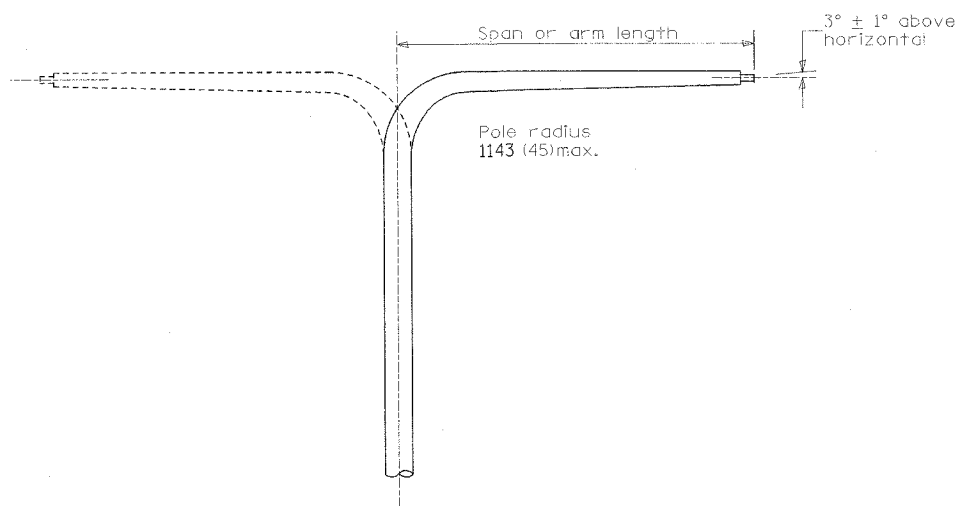
TENON MOUNT BRACKET ARM STEEL



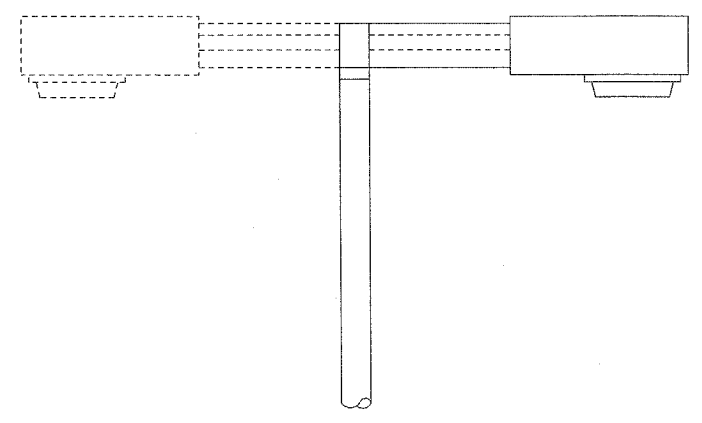
STEEL TWIN TENON



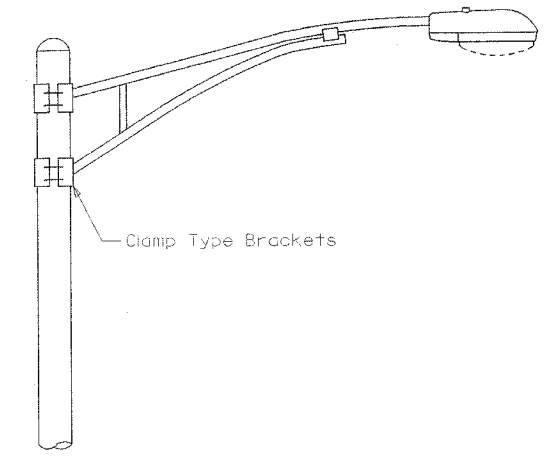
TENON



DAVIT ARM/ARMS



SHORT BRACKET/BRACKETS



TRUSS ARM

All dimensions are in millimeters (inches) unless otherwise shown.

LIGHT BRACKET ARMS & TENONS

REVISIONS	
NAME	DATE

ILLINOIS DEPARTMENT OF TRANSPORTATION  
 FAI ROUTE 80 (I-80 AT MINOOKA INTERCHANGE)  
 LIGHTING STANDARDS  
 LUMINAIRE BRACKET ARMS & TENONS  
 SCALE: NONE  
 DATE: 2/10/06  
 DRAWN BY: KGP/MAE  
 CHECKED BY: MAE/PKG

LGT108 Sheet 1 of 2

GANDHI AND ASSOCIATES, INC.  
 ENGINEERS AND PLANNERS  
 6035 N. NORTHWEST HIGHWAY  
 SUITE 205  
 CHICAGO, ILLINOIS 60631 TEL. (773) 774-5990

PATRICK ENGINEERING  
 LISLE, ILLINOIS