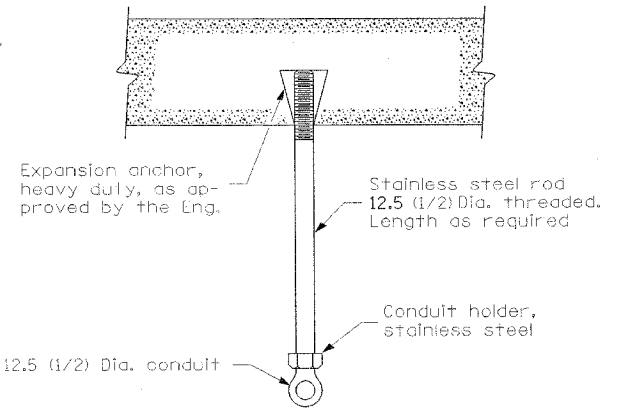
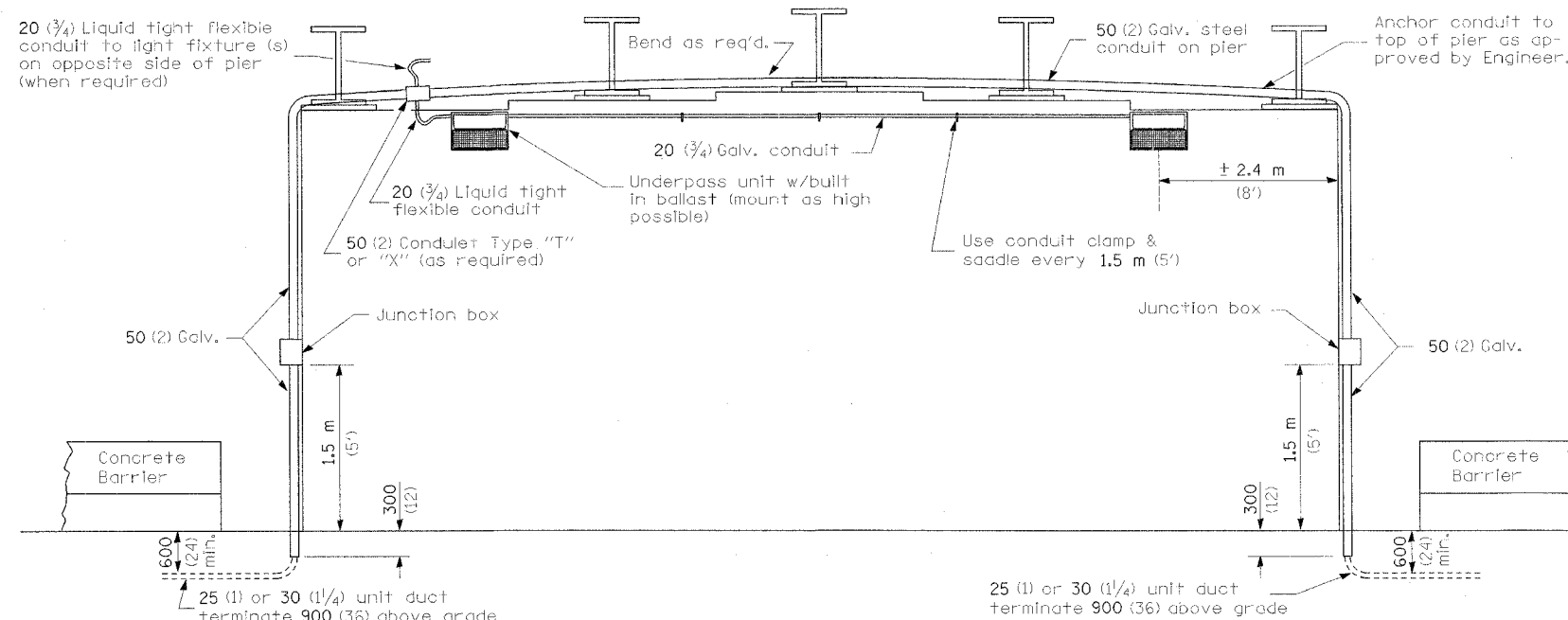
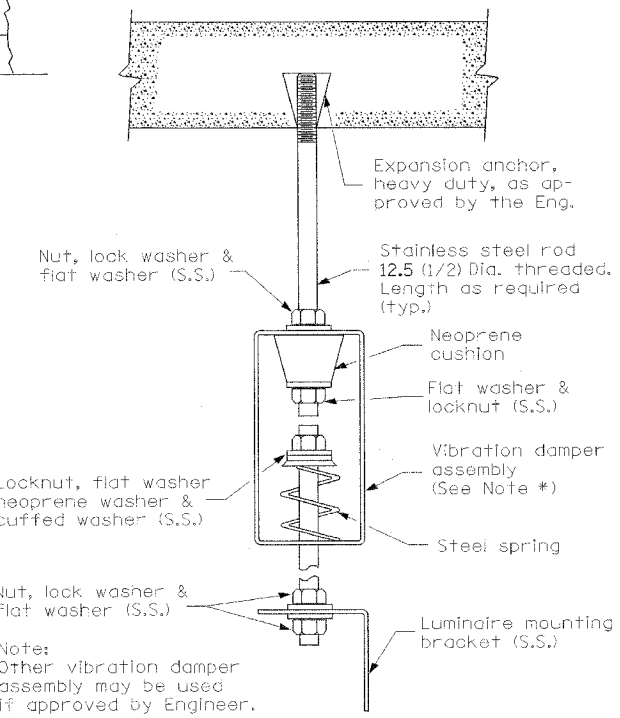


| | | | | |
|---------------------|-------------|------------------|--------------|-----------|
| F.A.I. RTE. | SECTION | COUNTY | TOTAL SHEETS | SHEET NO. |
| 80 | (32, 47-4)K | KENDALL/GRUNDY | 243 | 153 |
| STA. | TO STA. | | | |
| FED. ROAD DIST. NO. | ILLINOIS | FED. AID PROJECT | | |
| CONTRACT NO. 66294 | | | | |



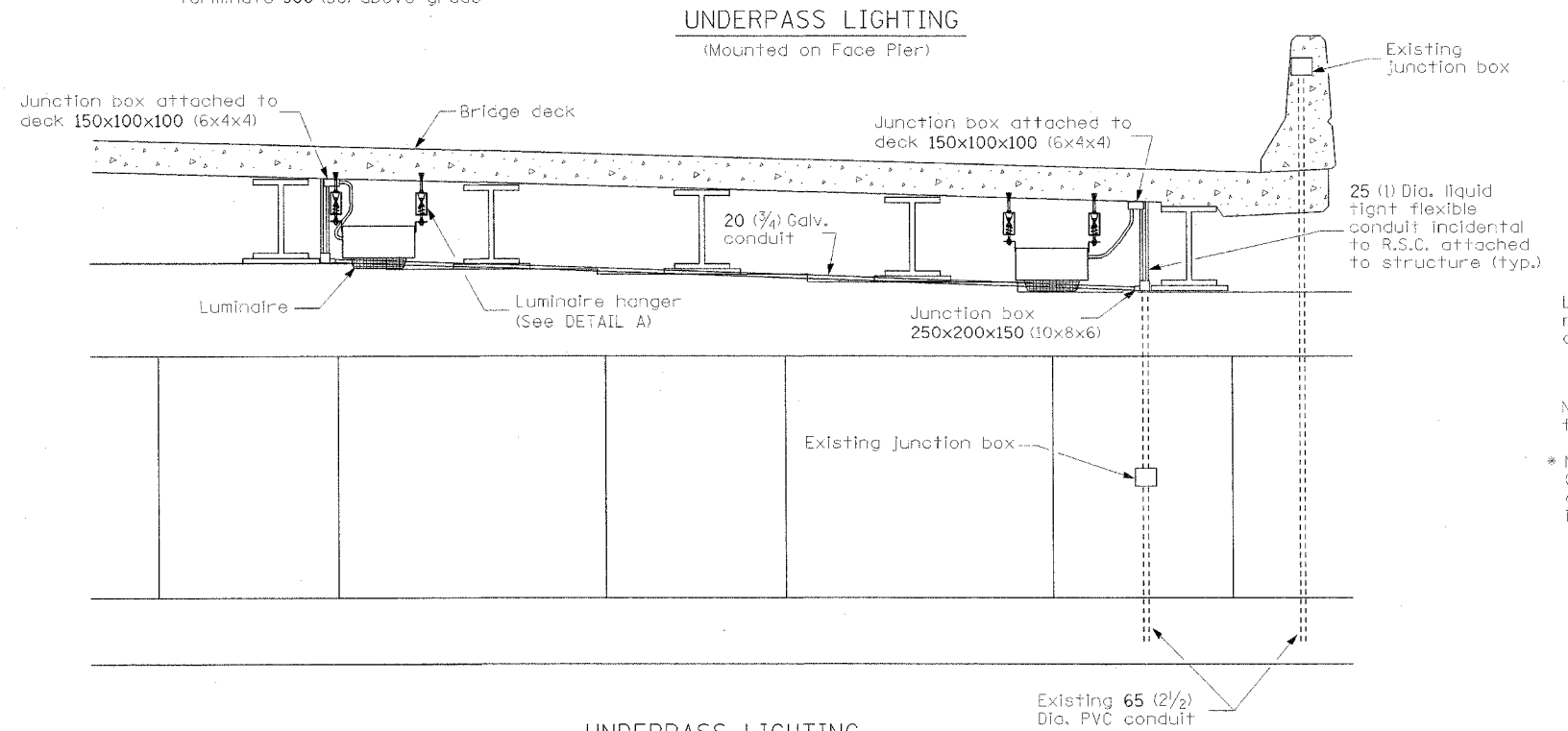
CONDUIT HANGER



* Note: Other vibration damper assembly may be used if approved by Engineer.

LUMINAIRE HANGER ASSEMBLY DETAIL A

All dimensions are in millimeters (inches) unless otherwise shown.



UNDERPASS LIGHTING (Mounted to Bridge Deck)

UNDERPASS LIGHTING

| REVISIONS | |
|-----------|------|
| NAME | DATE |
| | |
| | |
| | |
| | |
| | |
| | |
| | |
| | |
| | |
| | |

ILLINOIS DEPARTMENT OF TRANSPORTATION
FAI ROUTE 80 (I-80 AT MINOOKA INTERCHANGE)
LIGHTING STANDARDS
UNDERPASS LIGHTING DETAILS

SCALE: NONE
DATE: 2/10/06
DRAWN BY: KGP/MAE
CHECKED BY: MAE/PGK

LGT019.M32

GANDHI AND ASSOCIATES, INC.
ENGINEERS AND PLANNERS
6035 N. NORTHWEST HWY
SUITE 306
CHICAGO, ILLINOIS 60631 TEL. (773) 774-590

PATRICK
ENGINEERING INC.
LISLE, ILLINOIS