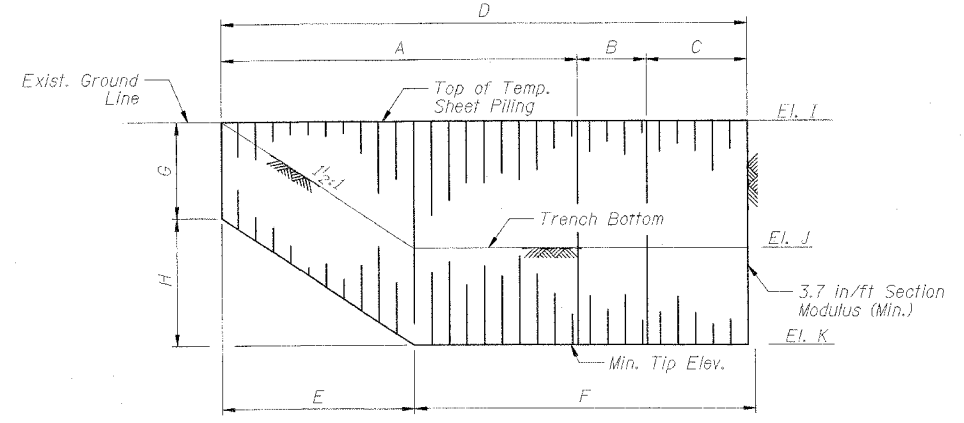
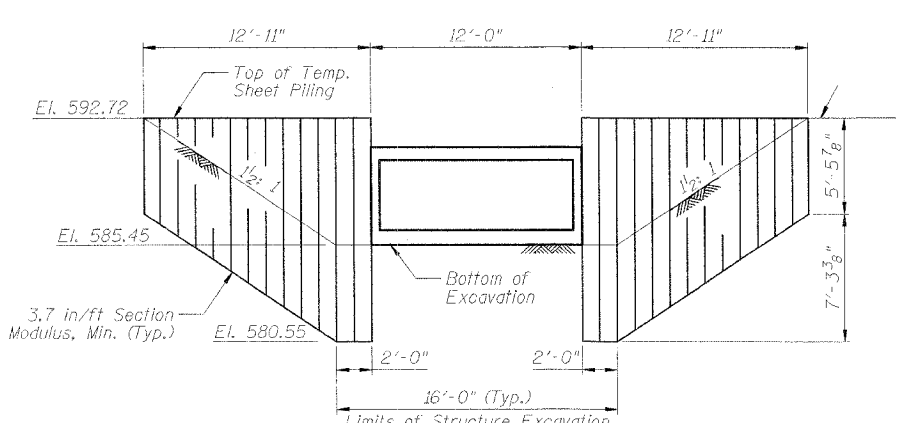
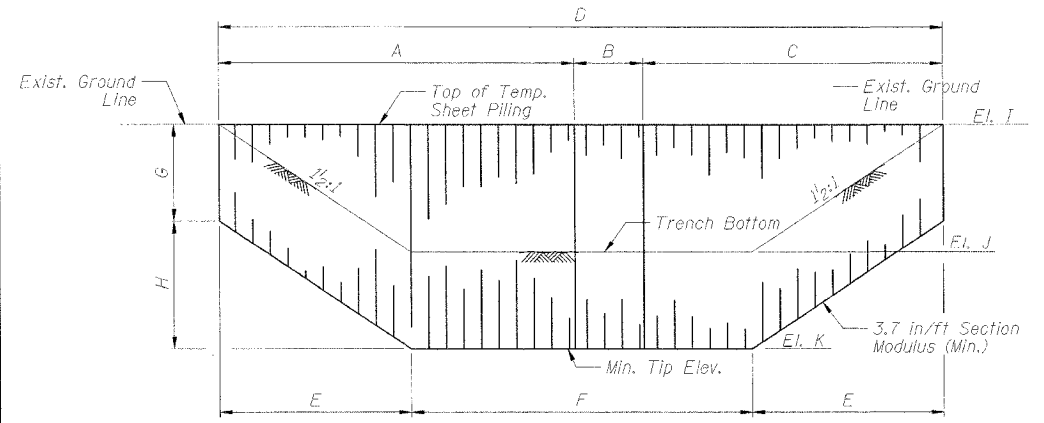


**BILL OF MATERIAL**

Item	Unit	Quantity
* Temporary Sheet Piling	Sq. Ft.	3,480

\* See Special Provisions



SECTION A-A & SECTION C-C DIMENSIONS & ELEVATIONS

Stage	A	B	C	D	E	F	G	H	Elev. I	Elev. J	Elev. K
Upstream Stage I	23'-3"	3'-11"	17'-1"	44'-3"	8'-10 1/2"	35'-4 1/2"	8'-0"	5'-11"	592.70	584.77	578.77
Downstream Stage I	12'-9"	16'-0"	15'-2"	43'-11"	9'-0"	34'-11"	7'-2"	6'-0"	589.35	582.19	576.19
Stage IA	12'-9"	2'-11"	12'-1"	27'-9"	9'-0"	18'-9"	6'-10"	6'-0"	588.86	582.01	576.01
Stage IB	11'-10"	2'-0"		13'-10"	9'-0"	4'-10"	6'-10"	6'-0"	588.84	582.01	576.01
Stage II	15'-9"		15'-2"	30'-11"	9'-0"	21'-11"	7'-9"	6'-0"	592.98	585.25	579.25
Upstream Stage IIA	13'-5"	20'-1"	2'-0"	35'-6"	8'-10 1/2"	26'-7 1/2"	7'-10"	5'-11"	592.85	585.07	579.07
Stage III	15'-10"	2'-0"		17'-10"	8'-10 1/2"	8'-11 1/2"	8'-0"	5'-11"	592.72	584.77	578.77

REVISIONS

NAME	DATE

ILLINOIS DEPARTMENT OF TRANSPORTATION  
 FAI ROUTE 80  
 (I-80 AT MINOOKA INTERCHANGE)  
 CULVERT NO. 1  
 11'x4' BOX CULVERT  
 TEMPORARY SHEET PILING  
 DETAILS

SCALE: None  
 DATE: 2/10/06  
 DRAWN BY: M. Tryon  
 CHECKED BY: A. Yargicoglu