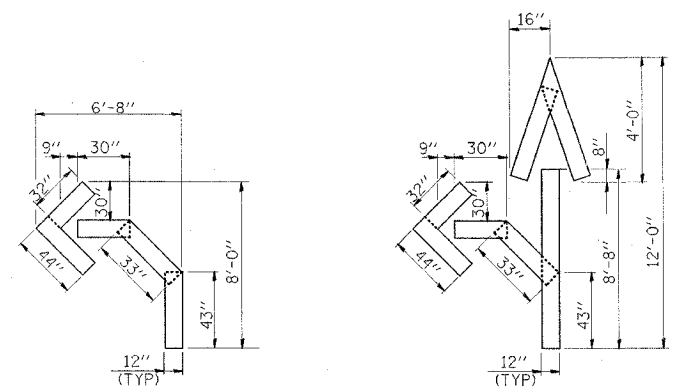
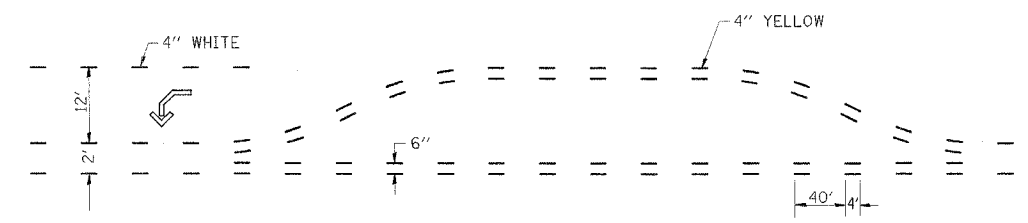


F.A.I. RTE.	SECTION	COUNTY	TOTAL SHEETS	SHEET NO.
80	(32, 47-4)K	KENDALL/GRUNDY	243	185
STA.		TO STA.		
FED. ROAD DIST. NO.		ILLINOIS FED. AID PROJECT		
CONTRACT NO. 66294				



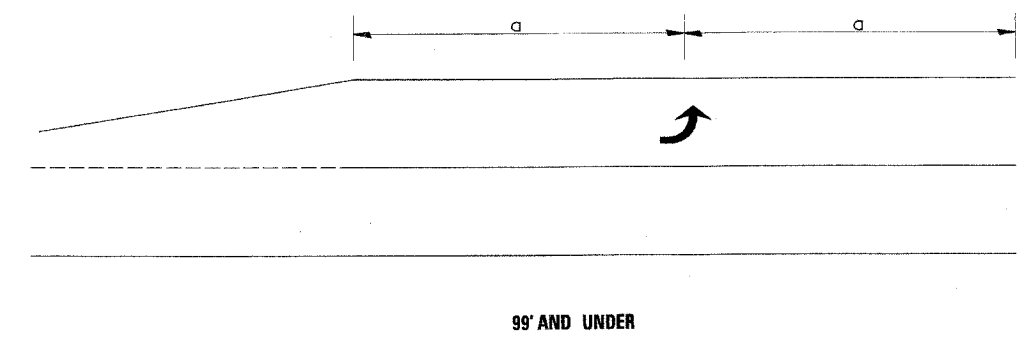
QUANTITY  
12" LINE = 16 LIN. FT.  
OR 4" LINE = 48 LIN. FT.

QUANTITY  
12" LINE = 29 LIN. FT.  
OR 4" LINE = 87 LIN. FT.

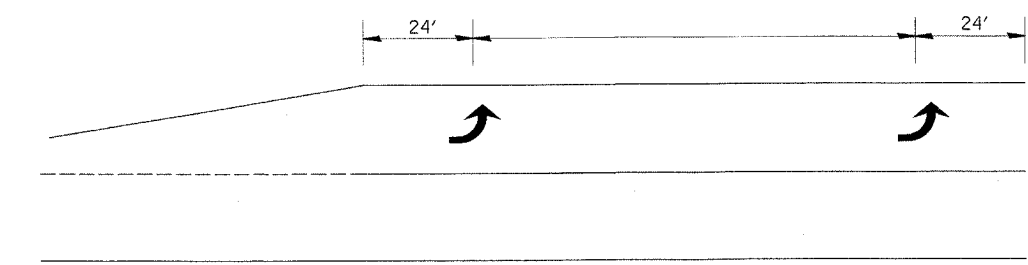


SHORT-TERM PAVEMENT MARKING FOR MEDIANS AND ARROWS

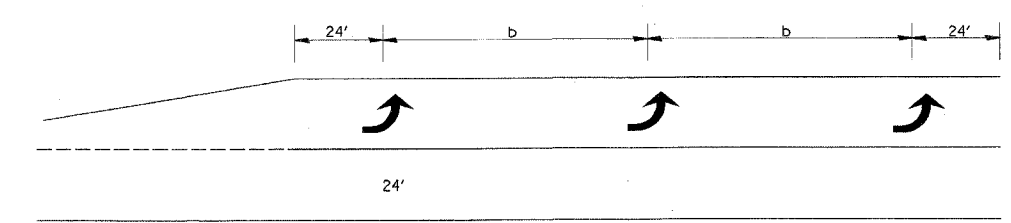
703-1



99' AND UNDER



100' TO 149'



150' AND LONGER

TYPICAL PLACEMENT OF ARROWS  
IN TURN LANES

780-10

REVISIONS	
NAME	DATE

ILLINOIS DEPARTMENT OF TRANSPORTATION  
FAI ROUTE 80 (I-80 AT MINOOKA INTERCHANGE)

PAVEMENT MARKING DETAILS

SCALE: NONE  
DATE: 2/10/06

DRAWN BY: TCK  
CHECKED BY: JJC

AUG 1999  
D:\SET\1153\700799.DGN  
780-10