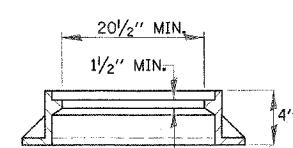
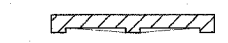
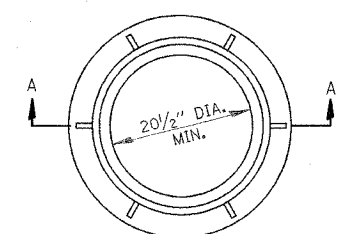


F.A.I. RTE.	SECTION	COUNTY	TOTAL SHEETS	SHEET NO.
80	(32, 47-4)K	KENDALL/GRUNDY	243	188
STA.	TO STA.			
FED. ROAD DIST. NO.	ILLINOIS FED. AID PROJECT			
CONTRACT NO. 66294				

ALTERNATE MATERIALS FOR WALLS	T
PRECAST REINFORCED CONCRETE RISERS	4"
CONCRETE MASONRY UNIT	5"
MONOLITHIC CONCRETE	6"
BUILDING BRICK, GRADE SW FROM CLAY OR SHALE	8"
CONCRETE BUILDING BRICK, GRADE A	8"

NOTES

1. THE CONTRACT UNIT PRICE FOR FIELD TILE JUNCTION VAULT SHALL INCLUDE THE COST OF FURNISHING AND PLACING THE FRAME AND GRATE OR PRECAST CONCRETE LID AND WHEN REQUIRED, THE SAND CUSHION.
2. ALL FIELD TILE JUNCTION VAULTS SHALL BE 2'-0" IN DIAMETER UNLESS OTHERWISE NOTED ON THE PLANS.



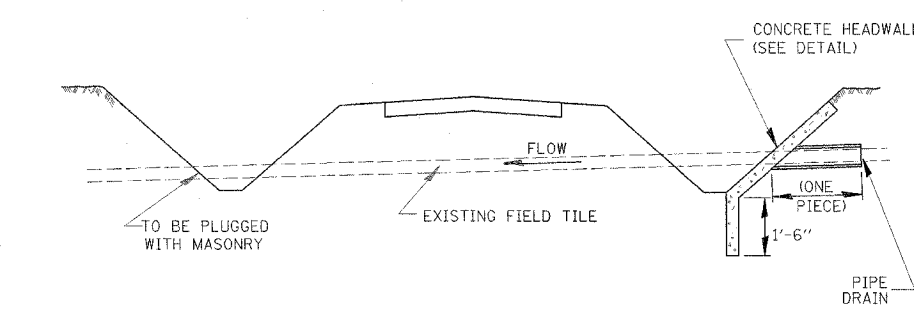
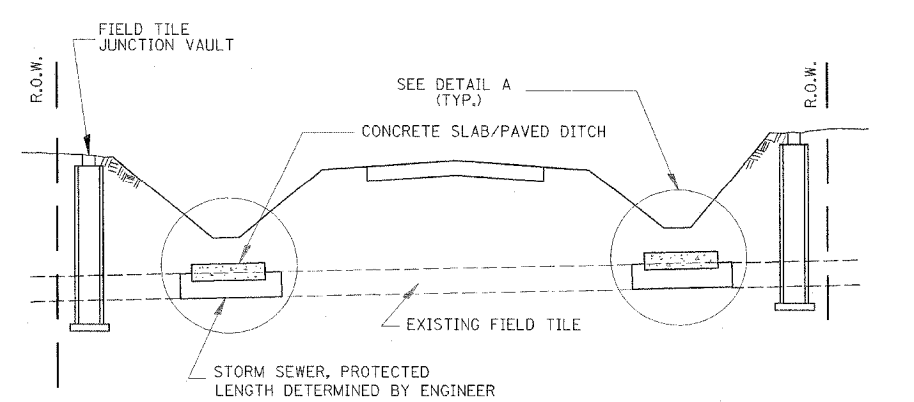
SECTION A-A

611-2

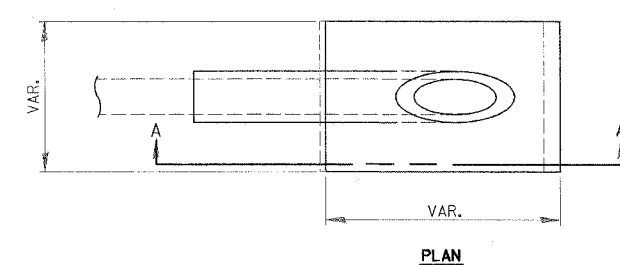
REVISIONS		DATE	DRAWN BY: TCK
NAME			

ILLINOIS DEPARTMENT OF TRANSPORTATION
FAI ROUTE 80 (I-80 AT MINOOKA INTERCHANGE)
FIELD TILE DETAILS

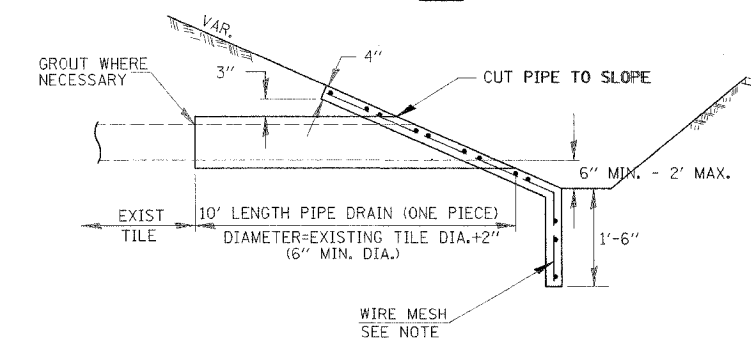
SCALE: NONE
DATE: 2/10/06
CHECKED BY: JUC



FIELD TILE REPLACEMENT

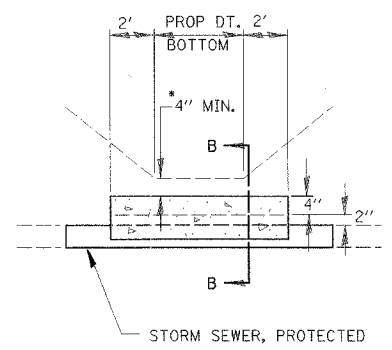


PLAN



SECTION A-A

CLASS SI CONCRETE HEADWALLS



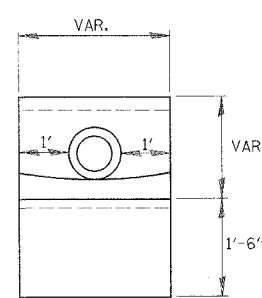
DETAIL A

NO SCALE

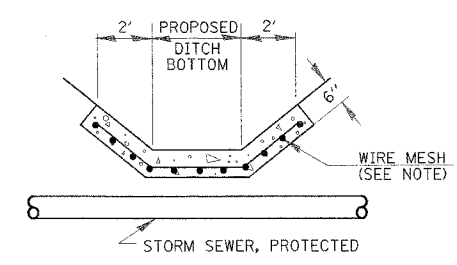
- * IF A 4" COVER CAN NOT BE PROVIDED A PAVED DITCH SHALL BE CONSTRUCTED AS SHOWN IN DETAIL C.
- NOTES**
1. WIDTH OF CONCRETE SLAB SHALL BE THE SAME AS THE TRENCH WIDTH IN ACCORDANCE WITH SECTION 550 OF THE STD. SPECIFICATIONS, OR 3' MIN.
 2. CONCRETE FOR SLAB, HEADWALL AND PAVED DITCH SHALL BE PAID FOR AT THE CONTRACT UNIT PRICE PER CUBIC YARD FOR MISCELLANEOUS CONCRETE."
 3. COST OF FURNISHING AND INSTALLING WIRE MESH SHALL BE INCLUDED IN THE CONTRACT UNIT PRICE PER CUBIC YARD FOR MISCELLANEOUS CONCRETE. WIRE MESH TO WEIGH NOT LESS THAN 58# PER 100 SQ. FT.

NOTES

1. ANY STORM SEWER OR FIELD TILE OUTLET INTO A DITCH SHALL HAVE A HEADWALL BUILT IN ACCORDANCE WITH THIS DETAIL.
2. COST OF FURNISHING AND INSTALLING WIRE MESH SHALL BE INCLUDED IN THE CONTRACT UNIT PRICE PER CUBIC YARD FOR MISCELLANEOUS CONCRETE. WIRE MESH TO WEIGH NOT LESS THAN 58# PER 100 SQ. FT.

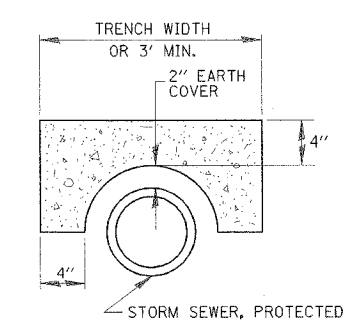


END VIEW

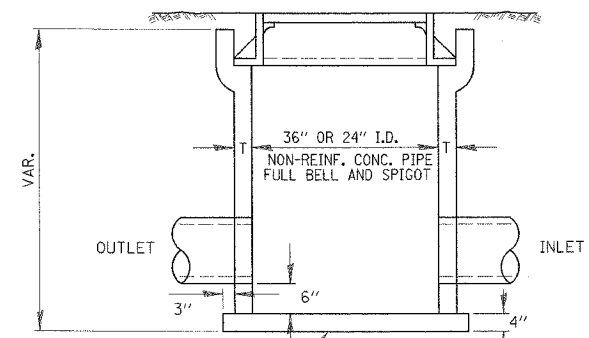


DETAIL C

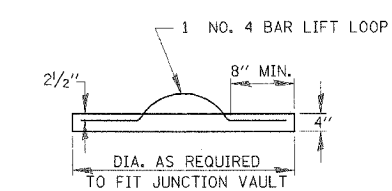
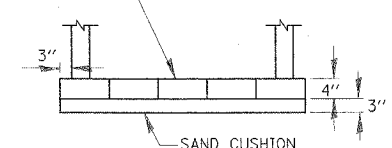
NO SCALE



SECTION B-B



CLASS SI CONCRETE OR PRECAST REINFORCED CONCRETE SLABS NOT LESS THAN 12" WIDE



FIELD TILE JUNCTION VAULT

DEC. 2000
\\DETAILS\600693.DGN
611-2