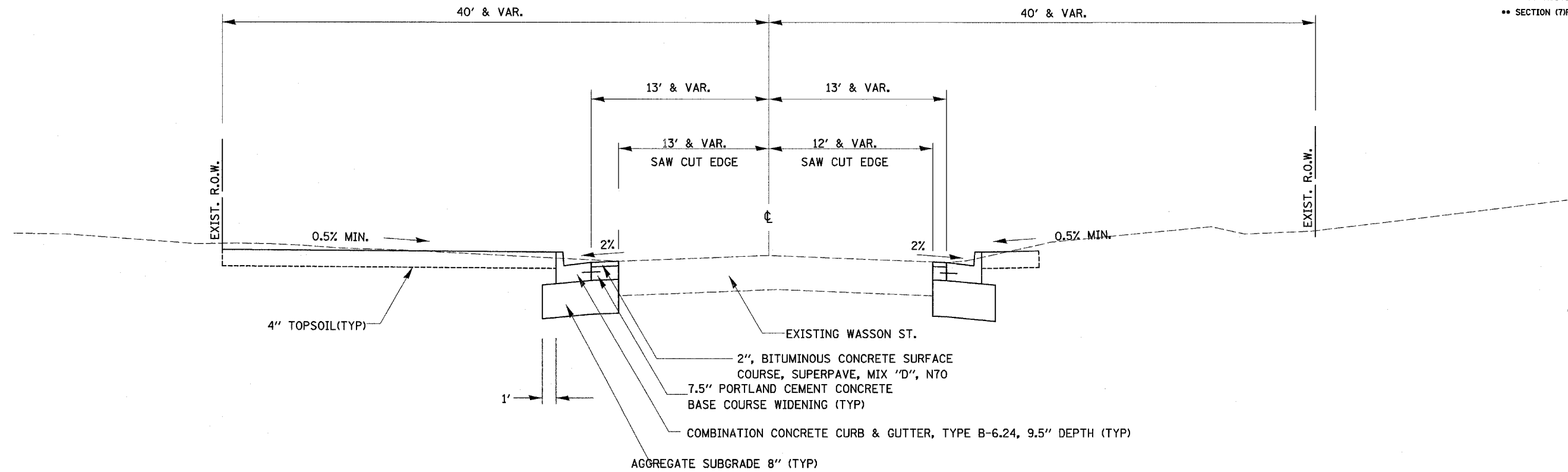


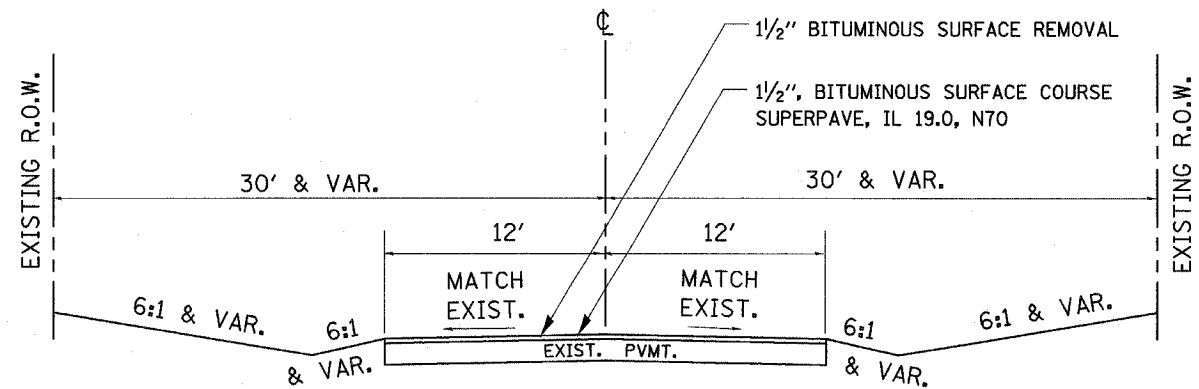
WASSON ST. PROPOSED TYPICAL SECTION STA. 2408 + 66.72 TO 2409 + 37.63

F.A. RTE.	SECTION	COUNTY	TOTAL SHEETS	SHEET NO.
•	**	LASALLE	95	23
STA.		TO STA.		
FED. ROAD DIST. NO.		ILLINOIS		FED. AID PROJECT

- FAP ROUTE 653 (ROUTE 18 COUPLE)
- SECTION (7)R, RS-2; (8)R, RS-1



FIRST AVENUE MILLING AND OVERLAY PROPOSED TYPICAL SECTION



MAIN ST. STA. 97 + 35-1000 + 71.19 (MAIN ST. CONN.) BRIDGE ST. STA. 2004 + 10-2005 + 42 MILLING AND OVERLAY PROPOSED TYPICAL SECTION

