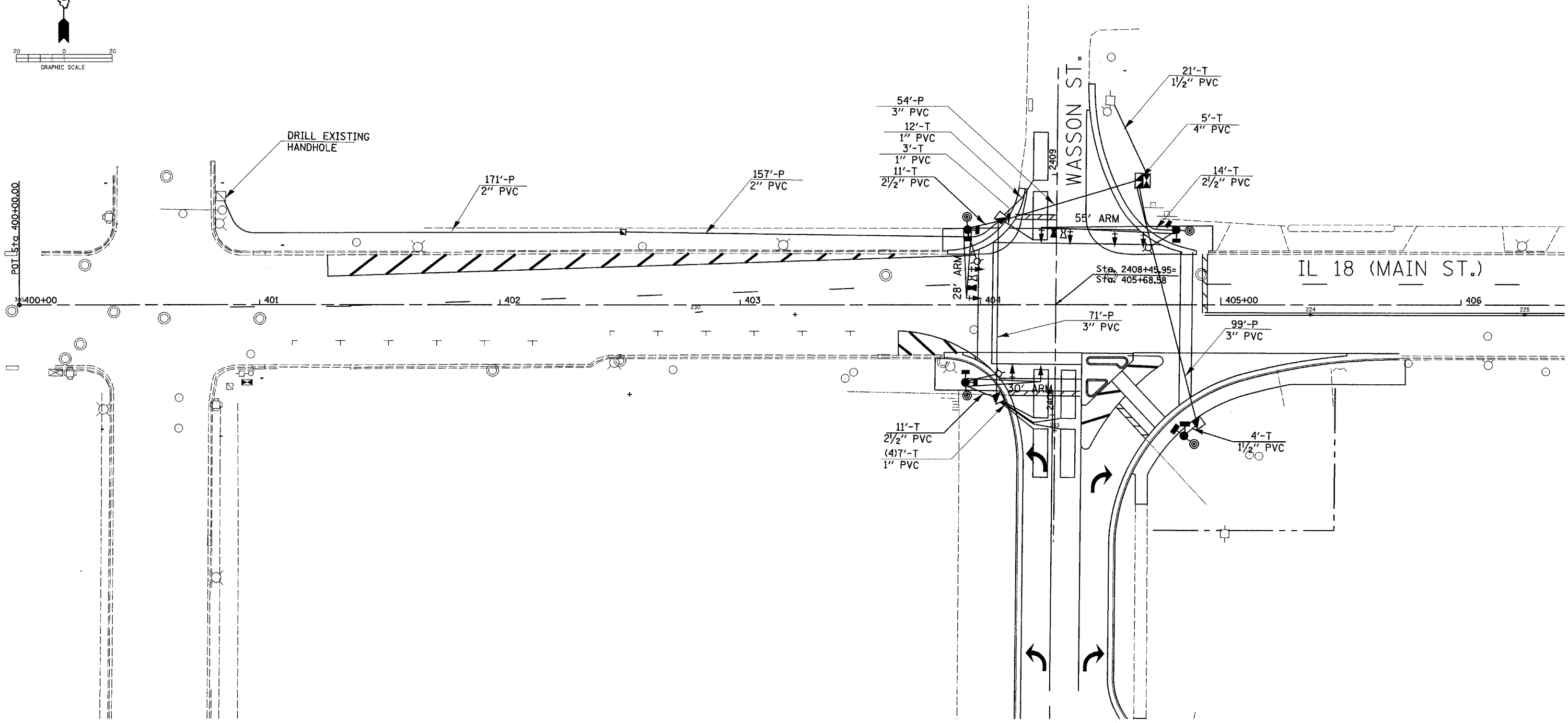
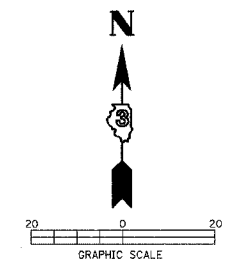


F.A. RTE.	SECTION	COUNTY	TOTAL SHEETS	SHEET NO.
•	••	LASALLE	95	66
STA.		TO STA.		
FED. ROAD DIST. NO. _ ILLINOIS		FED. AID PROJECT		



TRAFFIC SIGNAL PLAN - WASSON ST.