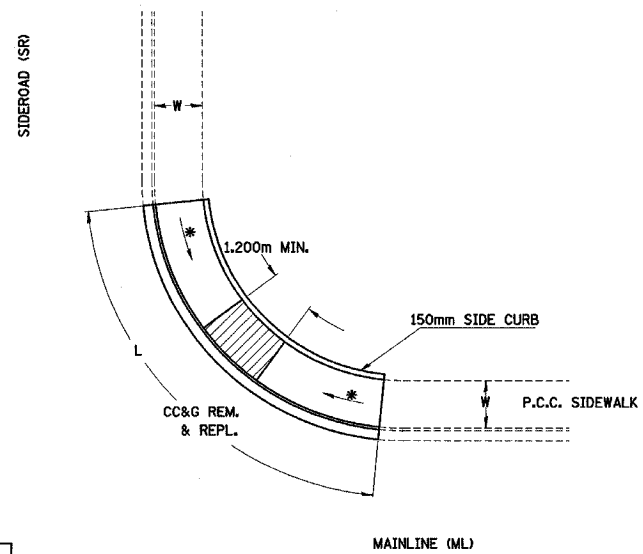


| | | | | |
|---------------------|---------|---------------------------|--------------|-----------|
| F.A. RTE. | SECTION | COUNTY | TOTAL SHEETS | SHEET NO. |
| * | ** | LASALLE | 95 | 74 |
| STA. | | TO STA. | | |
| FED. ROAD DIST. NO. | | ILLINOIS FED. AID PROJECT | | |

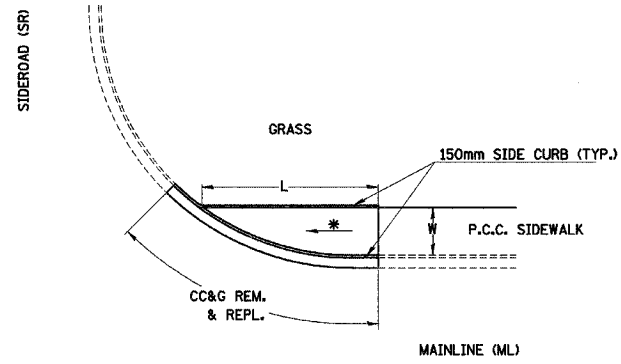
- FAP ROUTE 653 (ROUTE 18 COUPLE)
- SECTION (7)R, RS-2; (8)R, RS-1



| LEGEND | |
|--------|-------------------|
| | SLOPE = 2% |
| * | SLOPE = 1:12 MAX. |

METHOD 3

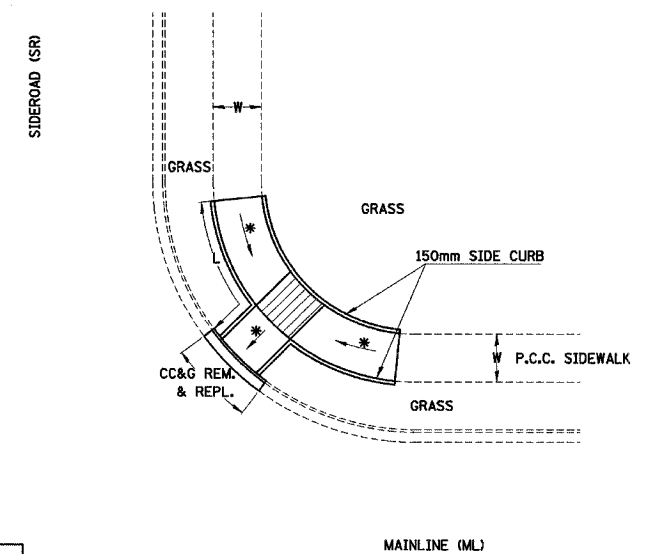
424-15
ADA SIDEWALK
ACCESSIBILITY RAMPS



| LEGEND | |
|--------|-------------------|
| | SLOPE = 2% |
| * | SLOPE = 1:12 MAX. |

METHOD 4

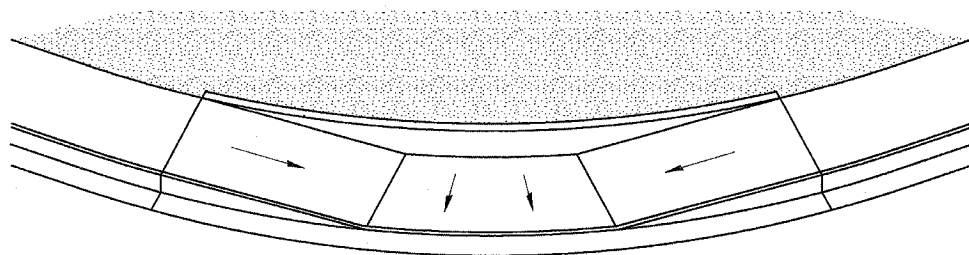
424-17
ADA SIDEWALK
ACCESSIBILITY RAMPS



| LEGEND | |
|--------|-------------------|
| | SLOPE = 2% |
| * | SLOPE = 1:12 MAX. |

METHOD 5

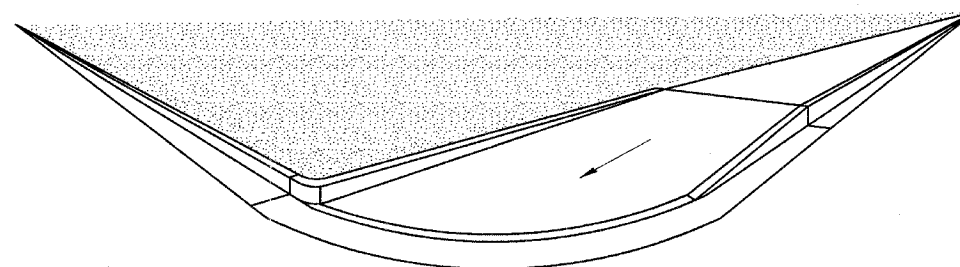
424-19
ADA SIDEWALK
ACCESSIBILITY RAMPS



| LEGEND | |
|--------|-------|
| | GRASS |

METHOD 3 PERSPECTIVE

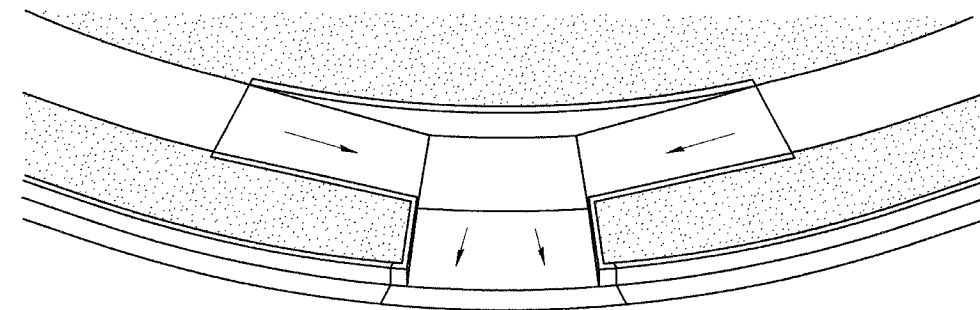
424-16
ADA SIDEWALK
ACCESSIBILITY RAMPS



| LEGEND | |
|--------|-------|
| | GRASS |

METHOD 4 PERSPECTIVE

424-18
ADA SIDEWALK
ACCESSIBILITY RAMPS



| LEGEND | |
|--------|-------|
| | GRASS |

METHOD 5 PERSPECTIVE

424-20
ADA SIDEWALK
ACCESSIBILITY RAMPS