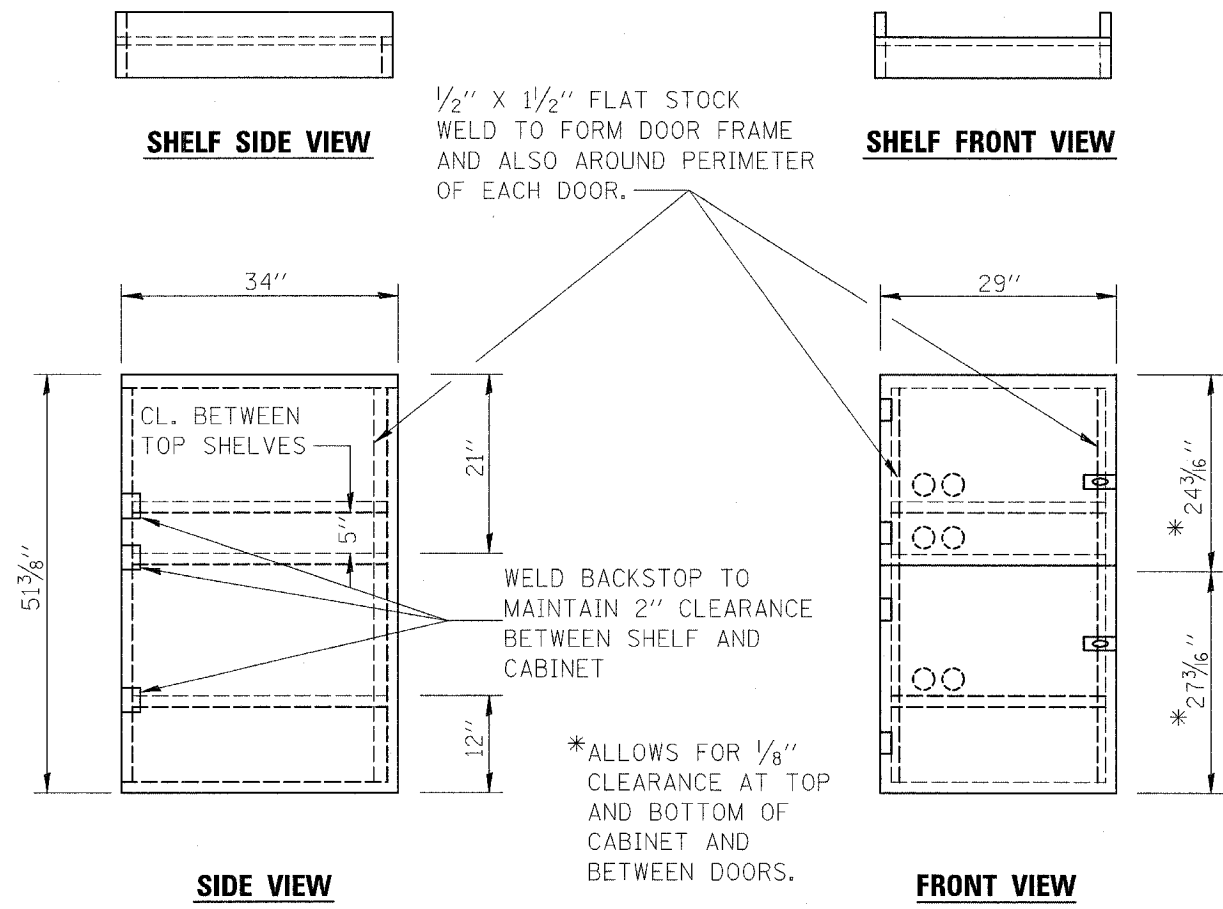
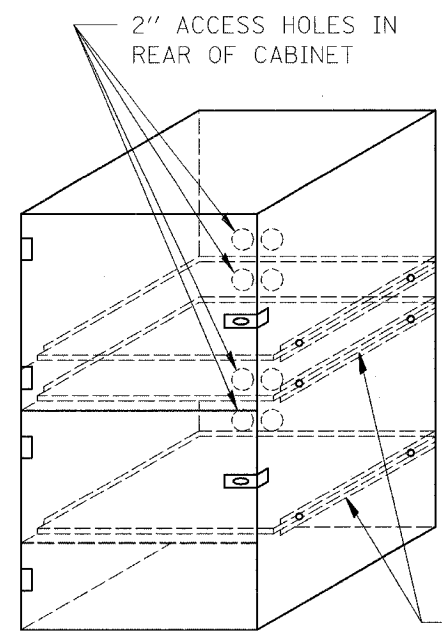


F.A. RTE.:	SECTION	COUNTY	TOTAL SHEETS	SHEET NO.
•	••	LASALLE	95	76
STA.	TO STA.			
FED. ROAD DIST. NO.	ILLINOIS	FED. AID PROJECT		

• FAP ROUTE 653 (ROUTE 18 COUPLED)  
 •• SECTION (7)R, RS-2; (8)R, RS-1

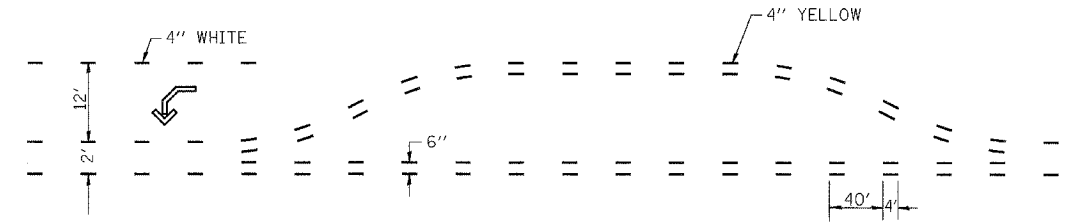
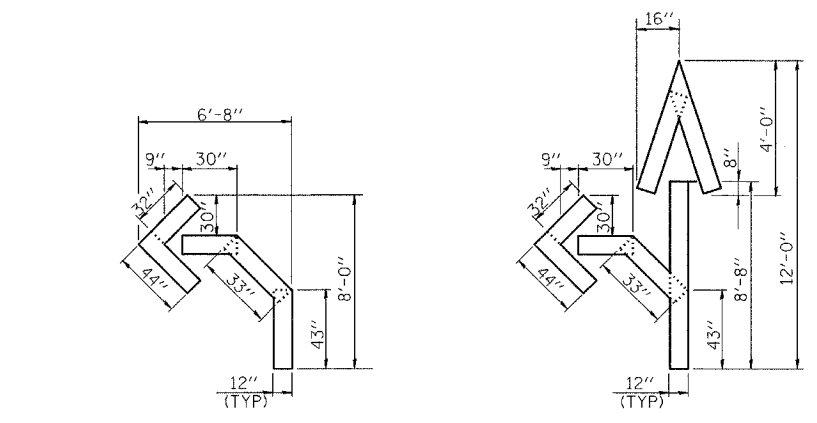


- NOTES:
1. USE 16 GAUGE STEEL FOR CABINET.
  2. THE TOP SHELF SHALL SLIDE IN OR OUT WITH THE TOP DOOR OPEN.
  3. ALL HINGES AND HASPS WILL BE WELDED TO THE CABINET.
  4. ALL EDGES SHALL BE GROUND SMOOTH.
  5. TWO (2" DIA.) ACCESS HOLES WILL BE REQUIRED FOR EACH SHELF.
  6. CABINET SHALL BE PAINTED WITH TWO COATS OF FLAT PAINT.
  7. 2 EACH MATCHING KEY PADLOCKS, WITH 3 KEYS PROVIDED, MASTER MODEL 3 T OR EQUIVALENT.
  8. 4 EACH PLAIN STEEL, NON-REMOVABLE PIN, NO HOLE 4"X4" SQUARE CORNER HINGES TO BE WELDED ON.
  9. 2 EACH EXTRA HEAVY, PLAIN STEEL, FIXED STAPLE, NO HOLE, 7 1/4" HASPS TO BE WELDED ON.
  10. COST TO BE INCLUDED IN BID PRICE FOR ENGINEER'S FIELD OFFICE OF THE TYPE SPECIFIED.

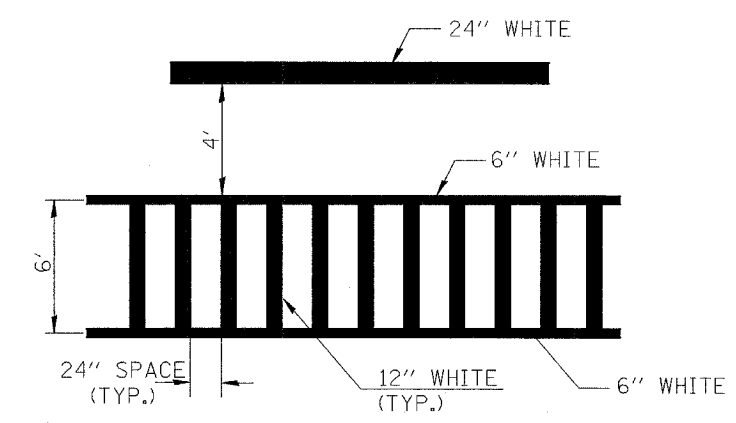


FLAT STOCK DIMENSIONS VARY DEPENDING ON TYPE OF ROLLER ASSEMBLY.

**LOCKABLE COMPUTER CABINET 670-1**



**SHORT-TERM PAVEMENT MARKING FOR MEDIANS AND ARROWS 703-1**



**TYPICAL SPACING DETAIL FOR CROSSWALKS AND STOP BARS 780-3**

**780-3**