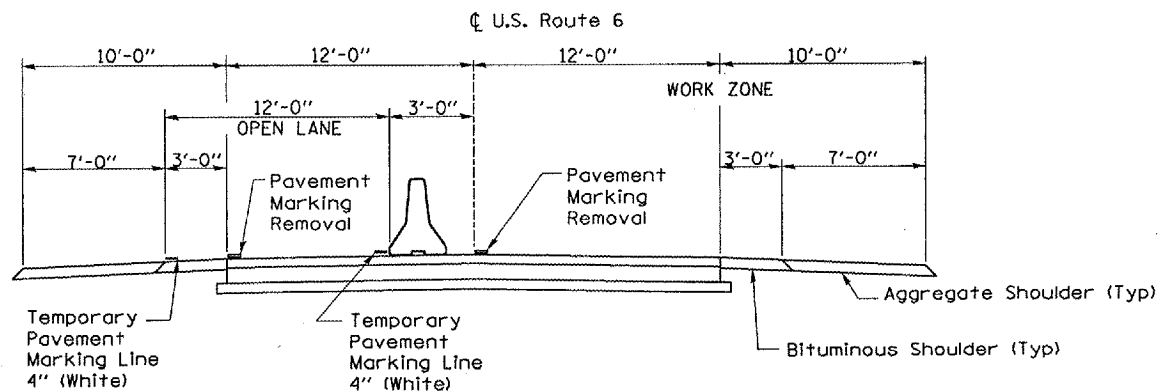


F.A.P. RTE.	SECTION	COUNTY	TOTAL SHEETS	SHEET NO.
623	(30)I-1	LASALLE	12	10
FED. ROAD DIST. NO. - ILLINOIS				



TYPICAL ROADWAY SECTION
LOOKING WEST

- SYMBOLS**
- Work area
 - Sign
 - Type III barricade
 - Drum with steady burning light
 - Traffic signal
 - Double vertical panel
 - Type C Bidirectional reflector
 - Temporary concrete barrier
 - Impact attenuator
 - Steady burning lights and double vertical panels
 - Microwave Detector

GENERAL NOTES

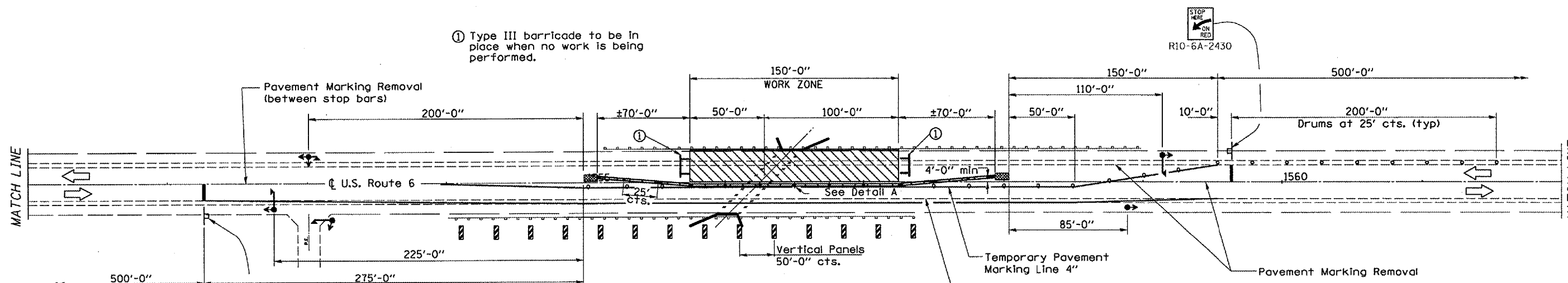
This Standard is used where, at any time any vehicle, equipment, workers, or their activities will encroach on one lane of a bridge. Traffic signals and a positive barrier are required.

When traffic signals are not in operation, flaggers shall be used and traffic control devices shall conform to Standard 701201 or 701206.

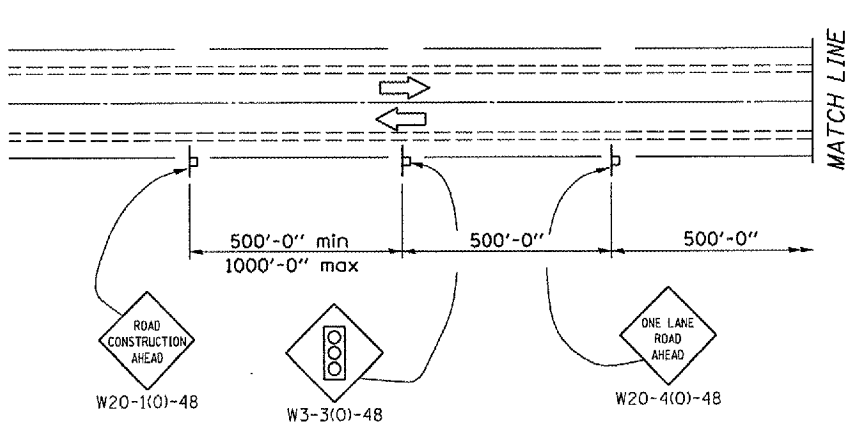
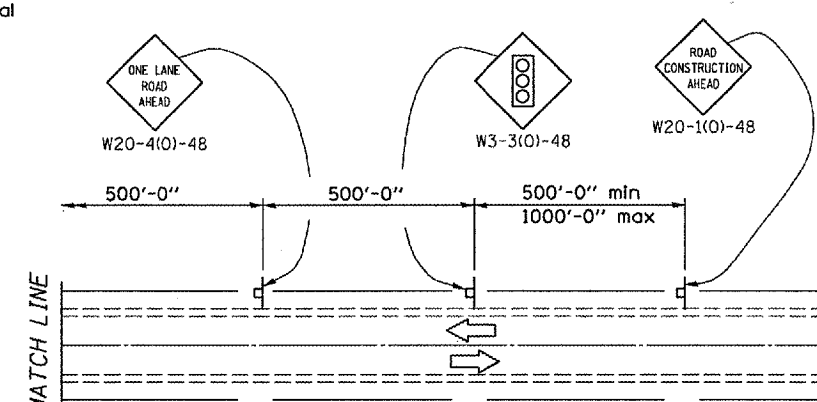
Temporary concrete barrier shall be according to Standard 704001.

Bi-directional lights shall be used at night along the centerline where the work area is separated from the travel lane using barricades or drums. Monodirectional lights shall be used at night on all other barricades or drums.

Existing or temporary pavement marking shall be on both sides of the open lane from stop bar to stop bar.



PLAN



TEMPORARY CONCRETE BARRIER	
POSTED SPEED	TAPER RATIO
40 mph AND ABOVE	12:1
BELOW 40 mph	8:1

REVISIONS	
NAME	DATE

ILLINOIS DEPARTMENT OF TRANSPORTATION
TRAFFIC CONTROL AND PROTECTION,
STANDARD 701321 (SPECIAL)
F.A.P. 623 (U.S. 6) SECTION (30)I-1
LASALLE COUNTY
STA. 1556+25

DATE 12/20/2005

DRAWN BY RLW

Date: 11/07/2005
File: c:\projects\smatn06\cm324\details.dgn