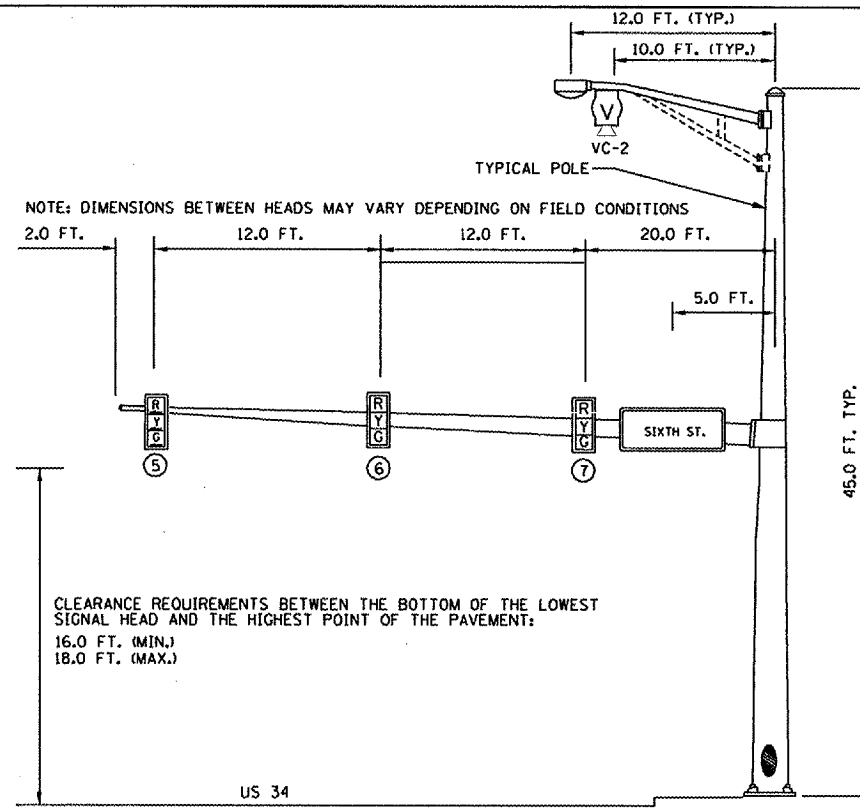
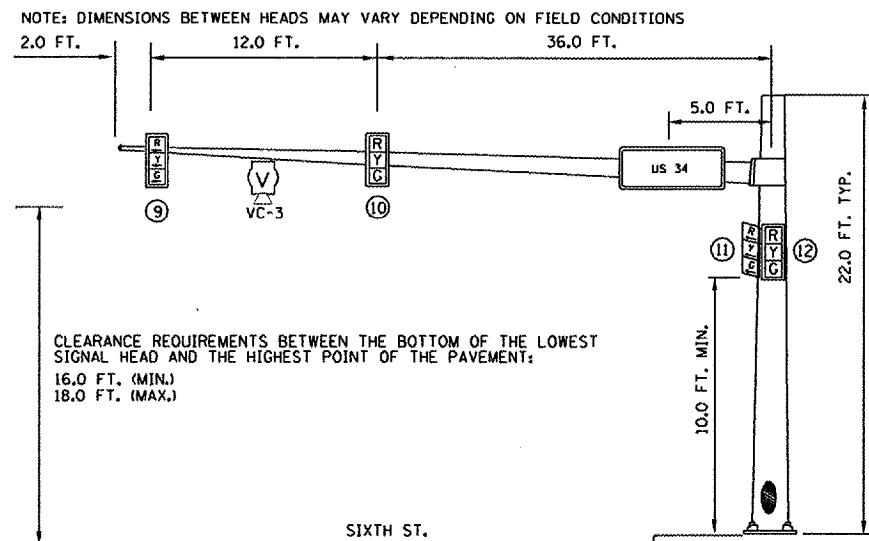


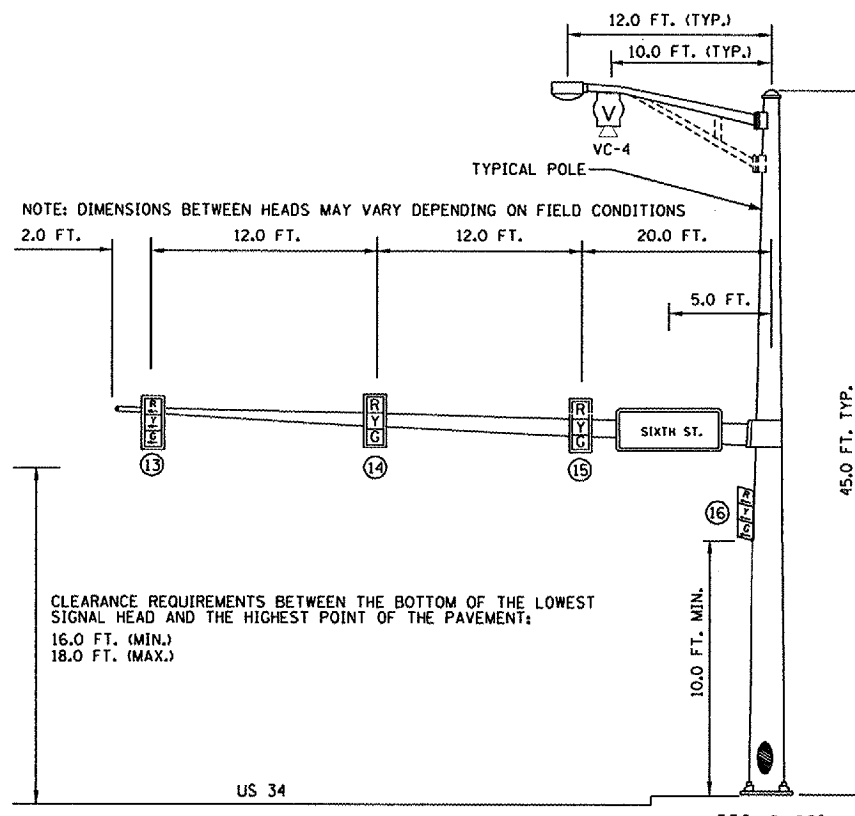
SOUTHBOUND TRAFFIC SIGNAL
SOUTHWEST CORNER OF US 34 & SIXTH ST.



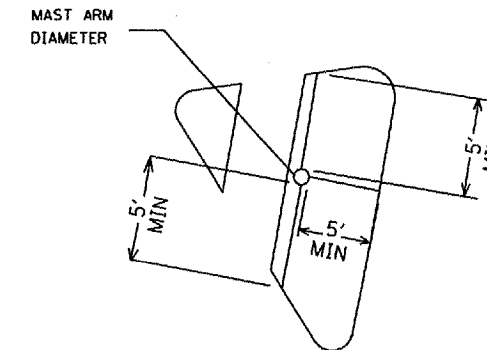
WESTBOUND TRAFFIC SIGNAL
NORTHWEST CORNER OF US 34 & SIXTH ST.



NORTHBOUND TRAFFIC SIGNAL
NORTHEAST CORNER OF US 34 & SIXTH ST.

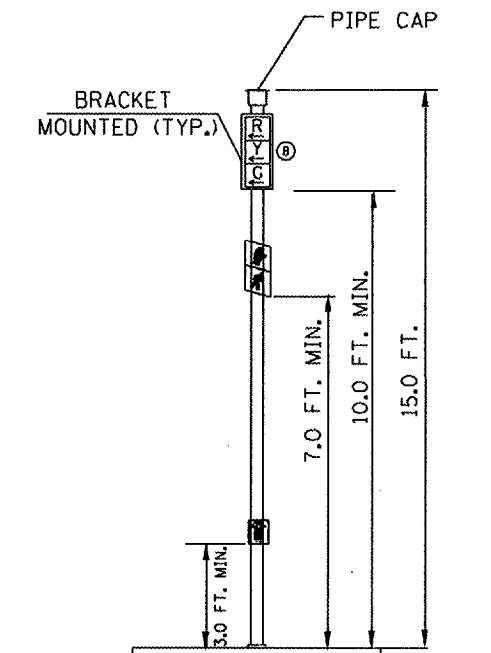


EASTBOUND TRAFFIC SIGNAL
SOUTHEAST CORNER OF US 34 & SIXTH ST.



NOTE: MAST ARM SHALL BE LOCATED A MINIMUM DISTANCE OF 5' FROM THE FACE OF THE MAST ARM TO THE FACE OF THE CURB.

MAST ARM PLACEMENT WITHIN ISLAND



TRAFFIC SIGNAL POST
NORTHWEST CORNER OF US 34 & SIXTH ST.

REVISIONS	
NAME	DATE

ILLINOIS DEPARTMENT OF TRANSPORTATION
PROPOSED TRAFFIC SIGNAL
MAST ARM AND POST DETAILS
US 34 & SIXTH ST.
MONMOUTH WARREN COUNTY

SCALE: VERT. _____
HORIZ. _____
DATE _____ DRAWN BY _____
CHECKED BY _____

\$\$\$DATE\$\$\$
* DGN-ONLY *