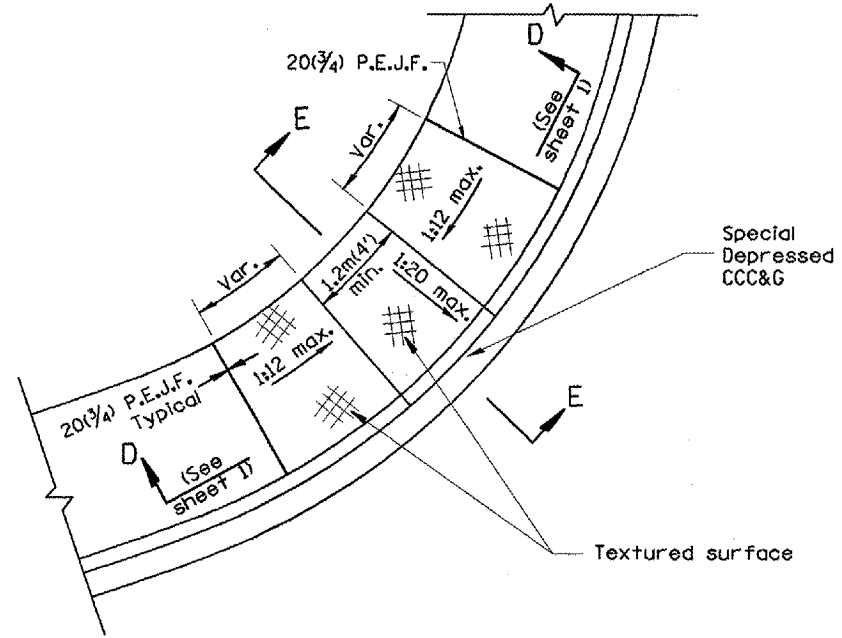
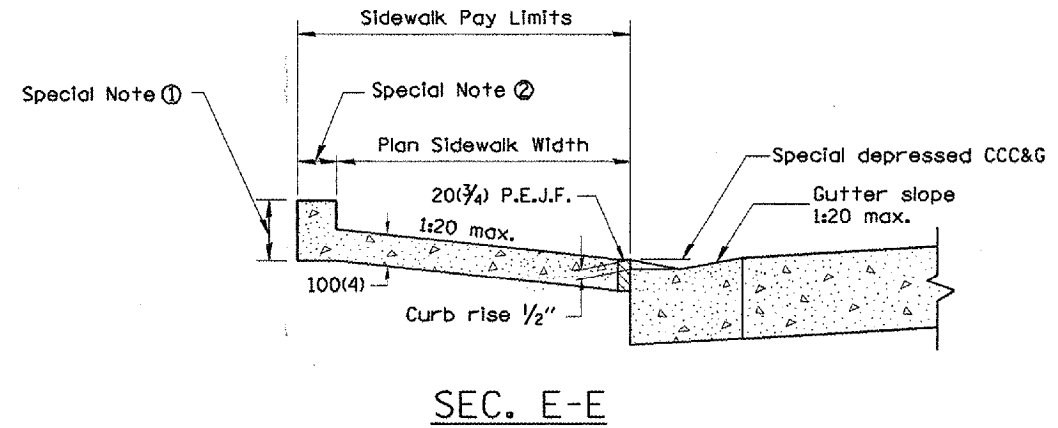


F.A.P. RTE.	SECTION	COUNTY	TOTAL SHEETS	SHEET NO.
313	103N-1TS	WARREN		54
STA.		TO STA.		
FED. ROAD DIST. NO. 4 ILLINOIS FED. AID PROJECT				

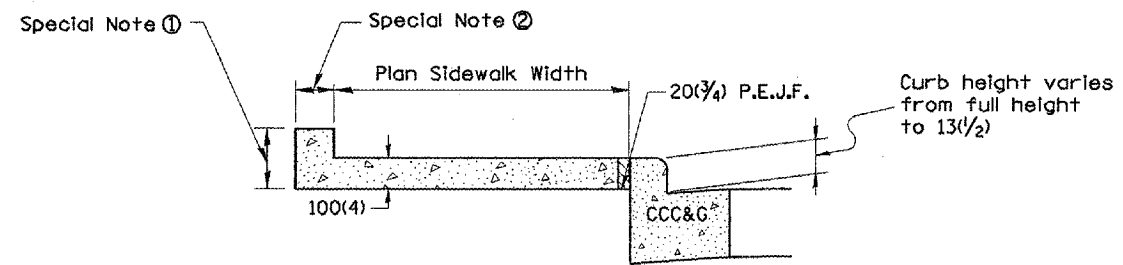


CASE 3

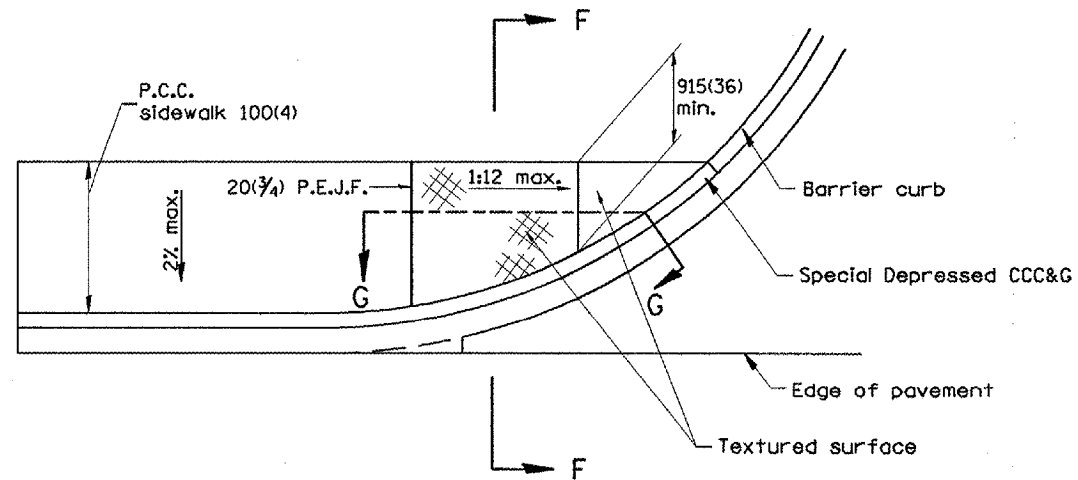
TYPE B DIAGONAL RAMP WITH CURBLIN SIDEWALK



SEC. E-E

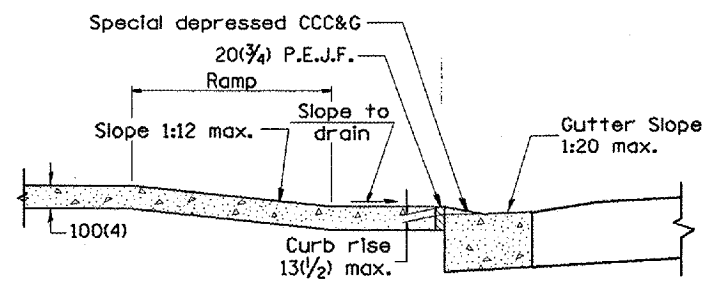


SEC. F-F



CASE 4

TYPE B RAMP WITH CURBLIN SIDEWALK



SEC. G-G

All dimensions are in millimeters (inches) unless otherwise noted.

ILLINOIS DEPARTMENT OF TRANSPORTATION	
DISTRICT CADD STANDARD	
SIDEWALK RAMPS ACCESSIBLE TO THE DISABLED	
CADD std. NO. 424001-D4	SHEET 2 of 2
SCALE: NOT DRAWN TO SCALE	DRAWN BY CADD
DATE **DATE**	CHECKED BY

DATE