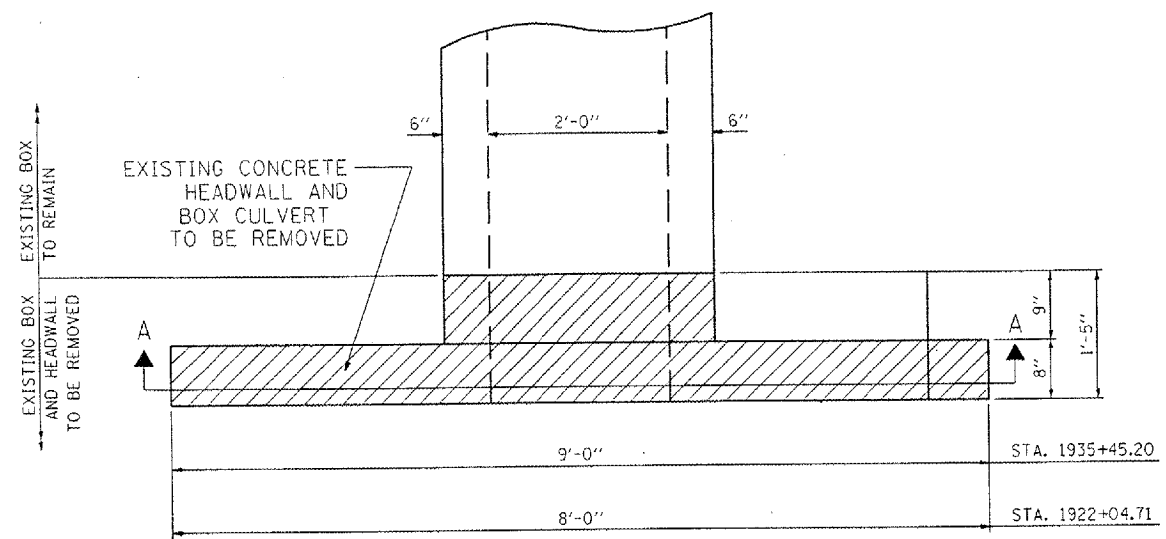
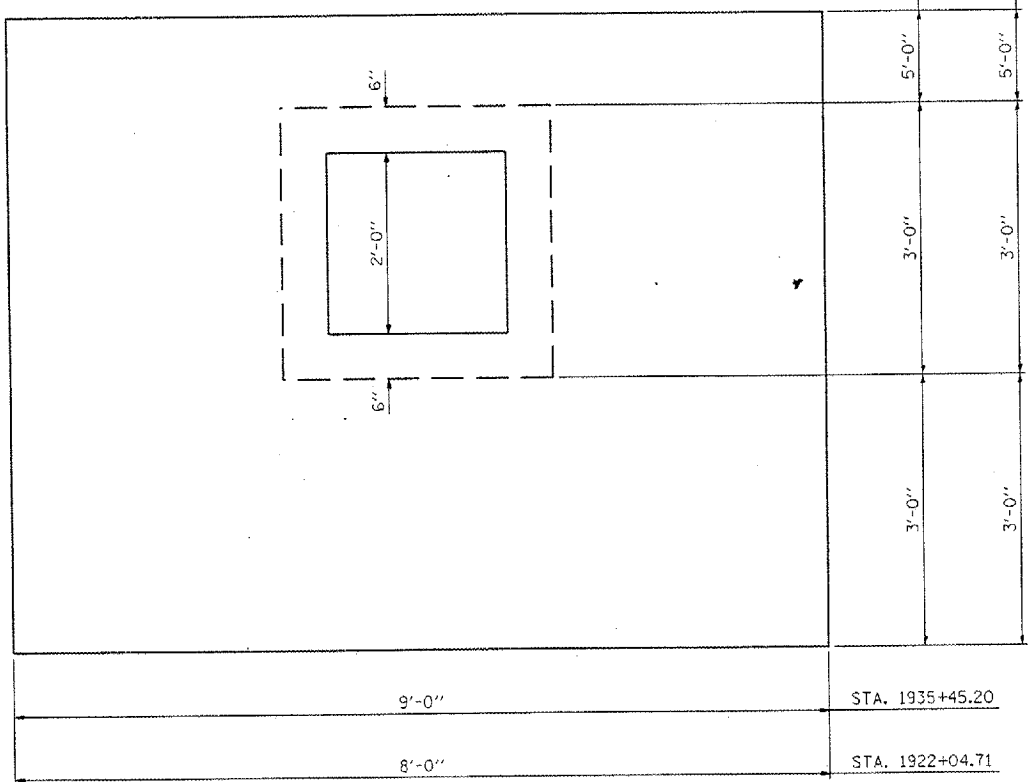


F.A.S. RTE.	SECTION	COUNTY	TOTAL SHEETS	SHEET NO.
380		KNOX	35	13
• D4 CULVERT EXT/REPAIR 2006				

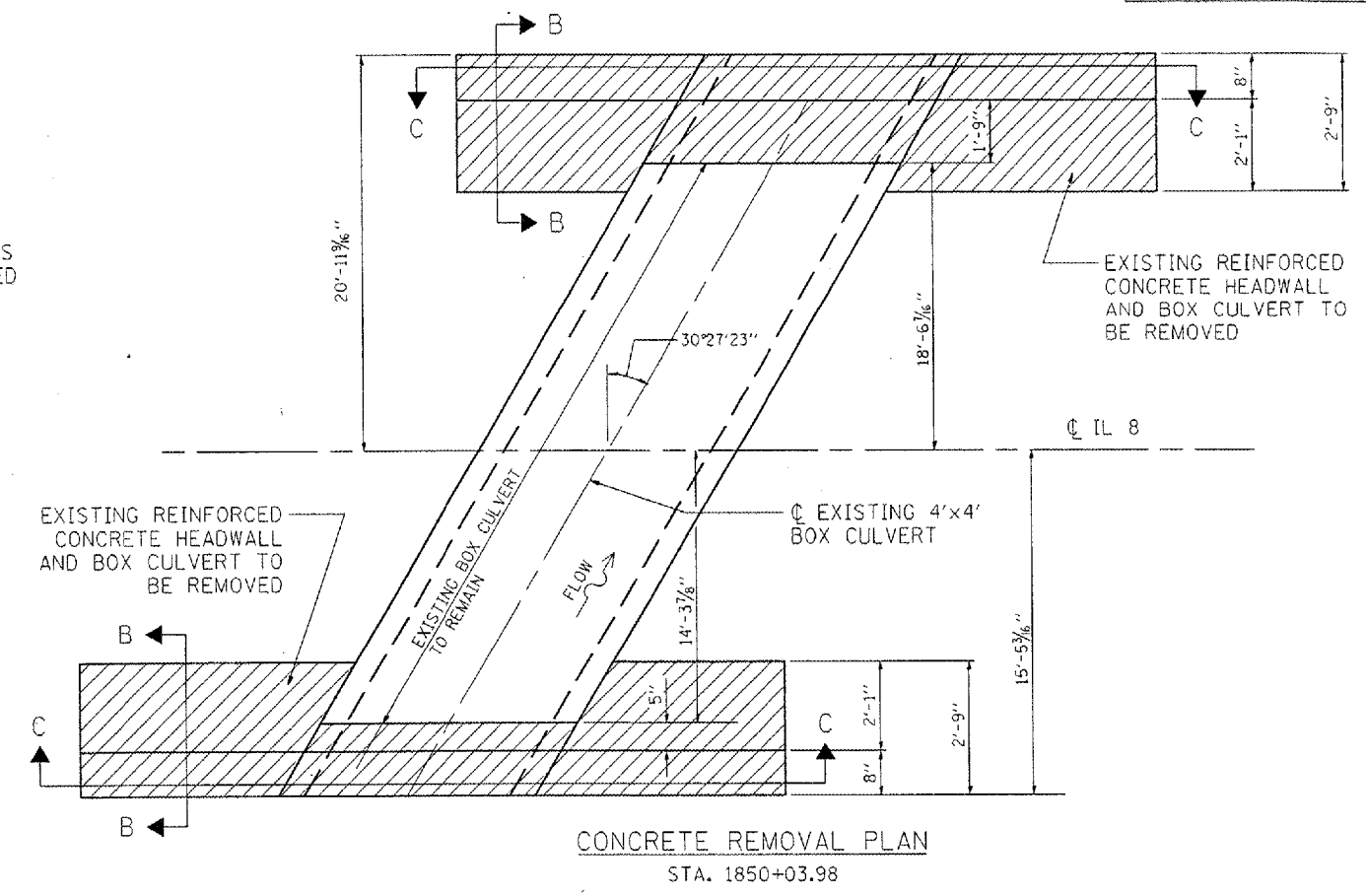


CONCRETE REMOVAL PLAN
RT STA. 1935+45.20
LT STA. 1922+04.71

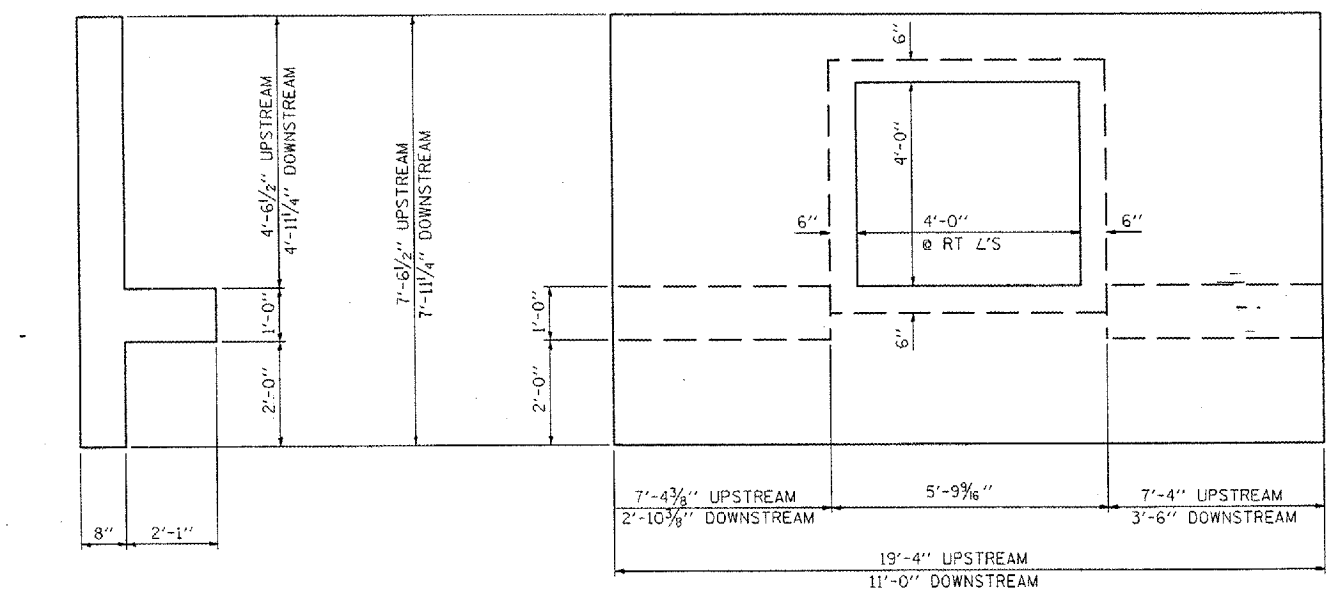


SECTION A-A

NOTE:
HATCHED AREAS
TO BE REMOVED



CONCRETE REMOVAL PLAN
STA. 1850+03.98



SECTION B-B

SECTION C-C

REVISIONS	
NAME	DATE

ILLINOIS DEPARTMENT OF TRANSPORTATION
CONCRETE REMOVAL
DETAILS