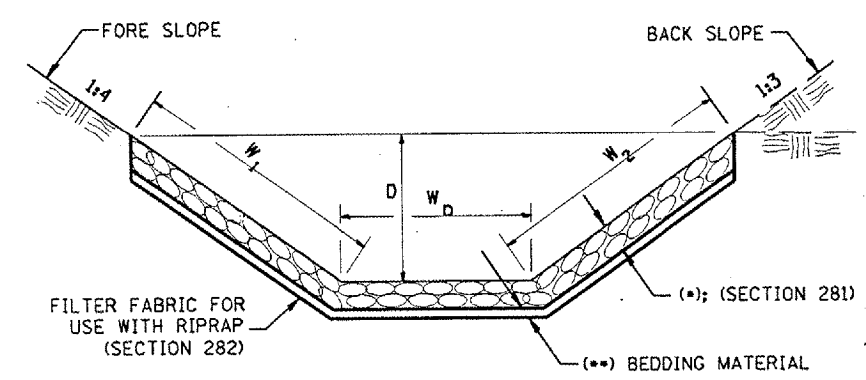


68379

F.A.S. RTE.	SECTION	COUNTY	TOTAL SHEETS	SHEET NO.
380		KNOX	35	19
• D4 CULVERT EXT/REPAIR 2006				

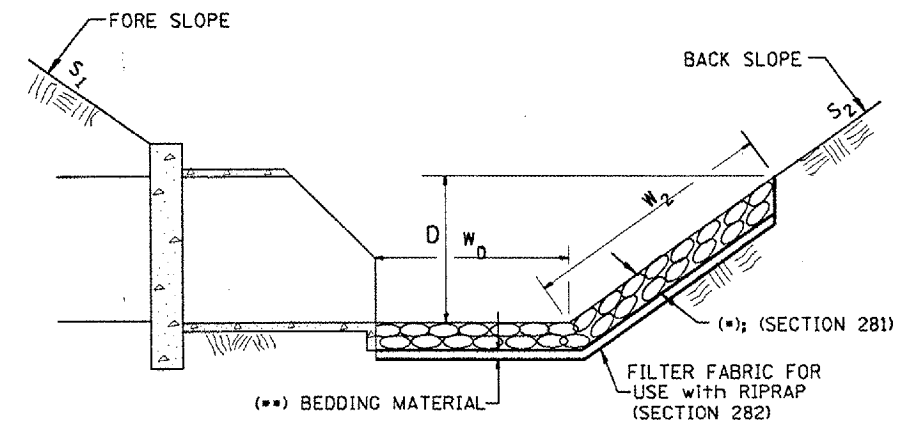
**CASE 1
(DITCH)**



LOCATION	WIDTH (1)	LENGTH	RIPRAP CLASS A4	RIPRAP CLASS B3	FABRIC
STA TO STA	m (lin ft)	m (lin ft)	sq m (sq yd)	sq m (sq yd)	sq m (sq yd)
1849+59 TO 1850+43	VARIABLE	15.77	22.24	0	22.24
1921+92 TO 1922+26	VARIABLE	47.63	0	21.84	0
1934+50 TO 1936+00	VARIABLE	211.84	168.08	0	168.08
TOTAL			190.32	21.84	190.32

(1) WIDTH = $W_1 + \frac{W}{2} + W$

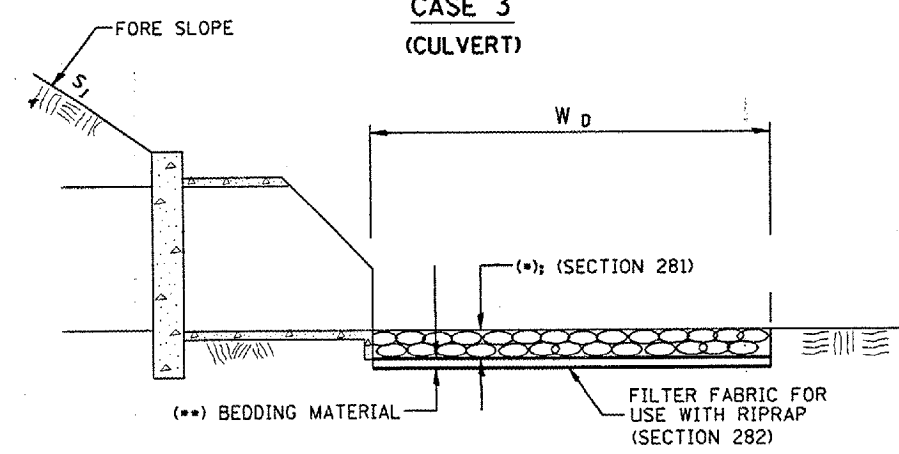
**CASE 2
(CULVERT & SLOPE)**



LOCATION	WIDTH (1)	LENGTH	RIPRAP CLASS A4	RIPRAP CLASS B3	FABRIC
OFFSET STA	m (lin ft)	m (lin ft)	sq m (sq yd)	sq m (sq yd)	sq m (sq yd)
RT 40' STA 1849+75	10.0	15.5	22.81	0	22.81
LT 41' STA 1850+24	17.0	16	26.69	0	26.69
RT 28' STA 1867+50	6.0	9.0	0	2.25	0
LT 29' STA 1922+07	10.0	8.0	0	5.00	0
LT 48' STA 1935+40	10.0	13.0	14.49	0	14.49
TOTAL			64.00	7.25	64.00

(1) WIDTH = $W_2 + \frac{W}{2}$

**CASE 3
(CULVERT)**



LOCATION	WIDTH (1)	LENGTH	RIPRAP CLASS A4	RIPRAP CLASS B3	FABRIC
OFFSET STA	m (lin ft)	m (lin ft)	sq m (sq yd)	sq m (sq yd)	sq m (sq yd)
LT 39' STA 1867+48	6.0	6.0	0	2.24	0
RT 47' STA 1922+04	15.0	6.0	0	5.63	0
RT 73' STA 1935+65	10.0	12.0	11.65	0	11.65
TOTAL			11.65	7.87	11.65

(1) WIDTH = W

All slope ratios are expressed as units of vertical displacement to units of horizontal displacement (V:H).
All dimensions are in millimeters (inches) unless otherwise noted.

ILLINOIS DEPARTMENT OF TRANSPORTATION
SPECIAL DETAIL SHEET
RIPRAP DITCH FOR EROSION PROTECTION
CADD DETAIL 281001-D4
SCALE: NOT DRAWN TO SCALE
DRAWN BY CADD
CHECKED BY

DATE	REVISIONS	BY
1-1-97	RENJUM, A-12.02, NEW REVISION BOX	T.P.
12-1-97	CORRECT FILTER FABRIC LEADER ARROW	J.A.