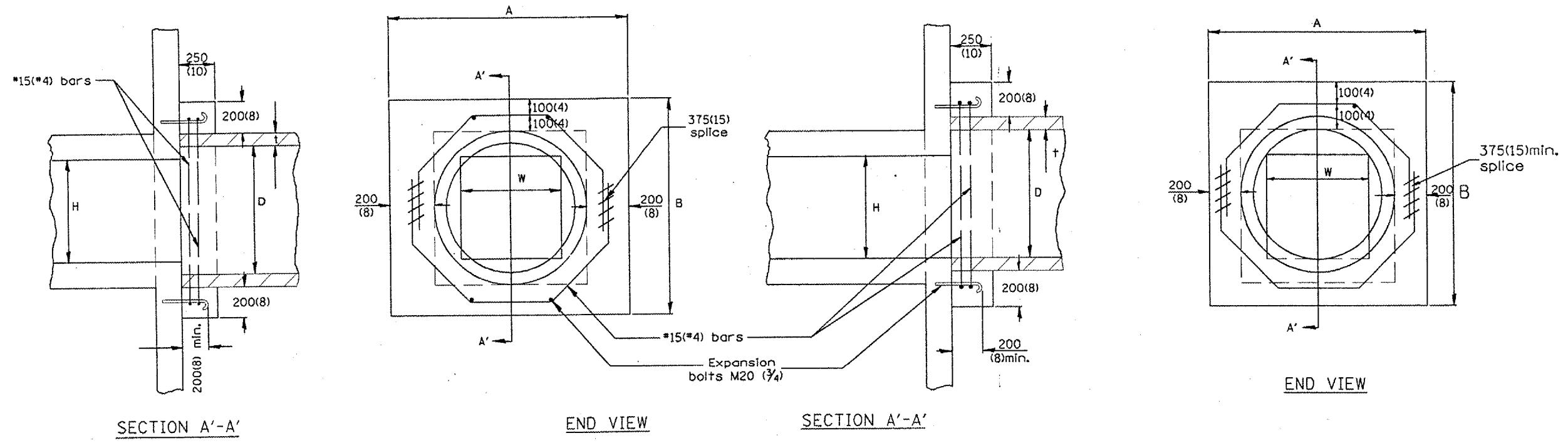
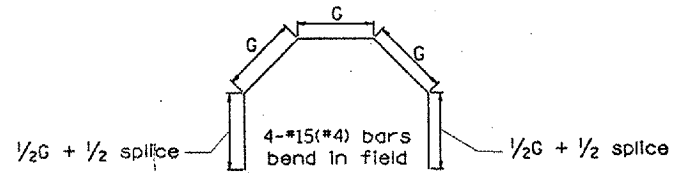


68379

F.A.S. RTE.	SECTION	COUNTY	TOTAL SHEETS	SHEET NO.
380	*	KNOX	35	20
* D4 CULVERT EXT/REPAIR 2006				



EXISTING BOX		EACH COLLAR								
W	H	A	B	D	t	CONC. COLLAR	REINFORCEMENT BARS		EXPANSTION BOLT	
						m ³ (CU. YD.)	G	L	KG (LBS.)	EACH
300(12) PIPE		810 (32)	810 (32)	300 (12)	50(2)	0.14(0.18)	254 (10)	1.40m (4'-7")	9(12)	4
450(18) PIPE		990 (39)	990 (39)	450 (18)	65(2 1/2)	0.18(0.24)	324 (12 3/4)	1.68m (5'-6")	11(15)	4
600(24) PIPE		1.17m (3'-10")	1.17m (3'-10")	600 (24)	75(3)	0.23(0.30)	400 (15 3/4)	1.98m (6'-6")	12(17)	4
600(24)	600(24)	1.35m (4'-5")	1.35m (4'-5")	750 (30)	90(3 1/2)	0.28(0.37)	416 (18 3/4)	2.29m (7'-6")	14(20)	4
750(30)	750(30)	1.52m (5'-0")	1.52m (5'-0")	900 (36)	100(4)	0.34(0.45)	546 (21 1/2)	2.57m (8'-5")	16(22)	8
900(36)	900(36)	1.7m (5'-7")	1.7m (5'-7")	1050 (42)	115(4 1/2)	0.38(0.50)	622 (24 1/2)	2.87m (9'-5")	18(25)	10
1050(42)	1050(42)	1.88m (6'-2")	1.88m (6'-2")	1200 (48)	125(5)	0.47(0.61)	692 (27 1/4)	3.15m (10'-4")	20(28)	10
1200(48)	1200(48)	2.06m (6'-9")	2.06m (6'-9")	1350 (54)	140(5 1/2)	0.61(0.80)	768 (30 1/4)	3.45m (11'-4")	22(30)	10



GENERAL NOTES

- The collar shall be constructed entirely of CLASS SI CONCRETE and in accordance with the applicable portions of Section 503 of the Standard Specifications. Reinforcement Bars shall conform to Section 508.
- Expansion Bolts shall consist of approved Expansion Anchors, and M20(3/4) Hook Bolts which conform to Section 1006.09. These Bolts shall extend at least 200(8) into the new Concrete.

All dimensions are in millimeters (Inches) unless otherwise noted.

ILLINOIS DEPARTMENT OF TRANSPORTATION		
DISTRICT CADD STANDARD		
PIPE CULVERT EXTENSION COLLAR (WITH END SECTION)		
DATE	REVISIONS	BY
1-1-97	RENUM. J-1102, NEW REVISION BOX, REVISED TITLE BOX, ADDED QUANTITY CALCULATION BOX.	T.P.

CADD STD. NO. 542001-D4
SCALE: NOT DRAWN TO SCALE
DATE **DATE**
DRAWN BY CADD
CHECKED BY