

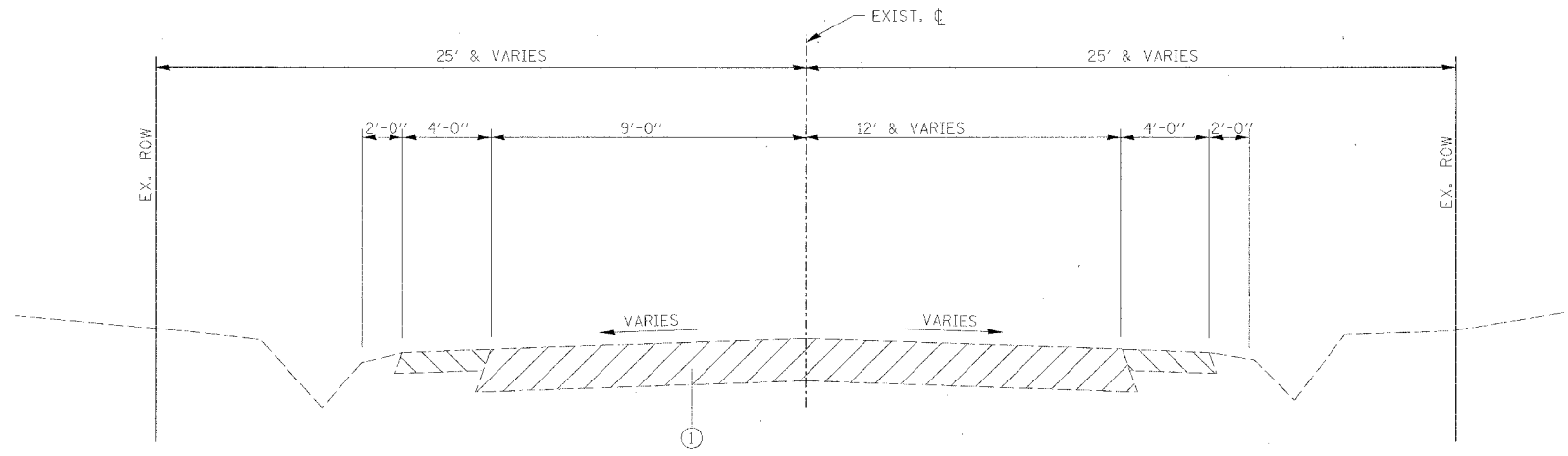
| | | | | |
|-----------|---------|--------|--------------|-----------|
| FAP ROUTE | SECTION | COUNTY | TOTAL SHEETS | SHEET NO. |
| 685 | (39BR)I | FULTON | 22 | 4 |
| STA. | TO STA. | | | |

EXISTING CONDITIONS:
CONTRACT NO. 68497

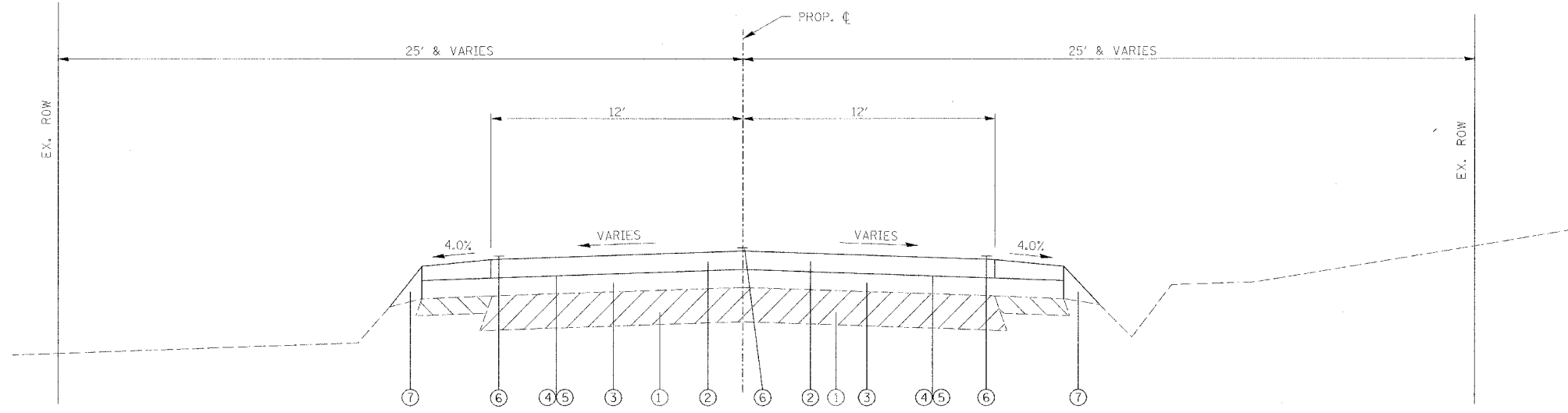
LEGEND

- ① EXISTING ROADWAY
- ② PROPOSED BITUMINOUS CONCRETE SURFACE COURSE SUPERPAVE, MIX "D" N50 - 1 1/2"
- ③ PROPOSED BITUMINOUS CONCRETE BINDER COURSE SUPERPAVE, IL 19.0, N50 - 1 3/4"
- ④ PROPOSED BITUMINOUS MATERIALS (PRIME COAT)
- ⑤ PROPOSED AGGREGATE (PRIME COAT)
- ⑥ PROPOSED PAVEMENT MARKING
- ⑦ AGGREGATE SHOULDERS, TYPE B

 INDICATES EXISTING ROADWAY



EXISTING TYPICAL SECTION IL ROUTE 9
STA. 482+00 TO STA. 489+80



PROPOSED TYPICAL SECTION IL RTE 9
STA. 485+52.52 TO STA. 486+17.52
STA. 487+55.11 TO STA. 488+20.11

\$FILE\$
\$DATE\$

| REVISIONS | |
|-----------|------|
| NAME | DATE |
| | |
| | |
| | |
| | |
| | |
| | |
| | |
| | |
| | |
| | |

ILLINOIS DEPARTMENT OF TRANSPORTATION
TYPICAL SECTIONS
FAP ROUTE 685
SECTION (39BR)I
FULTON COUNTY
SCALE: NONE
DATE: 2/10/2006
DRAWN BY: KBF
CHECKED BY: BWP