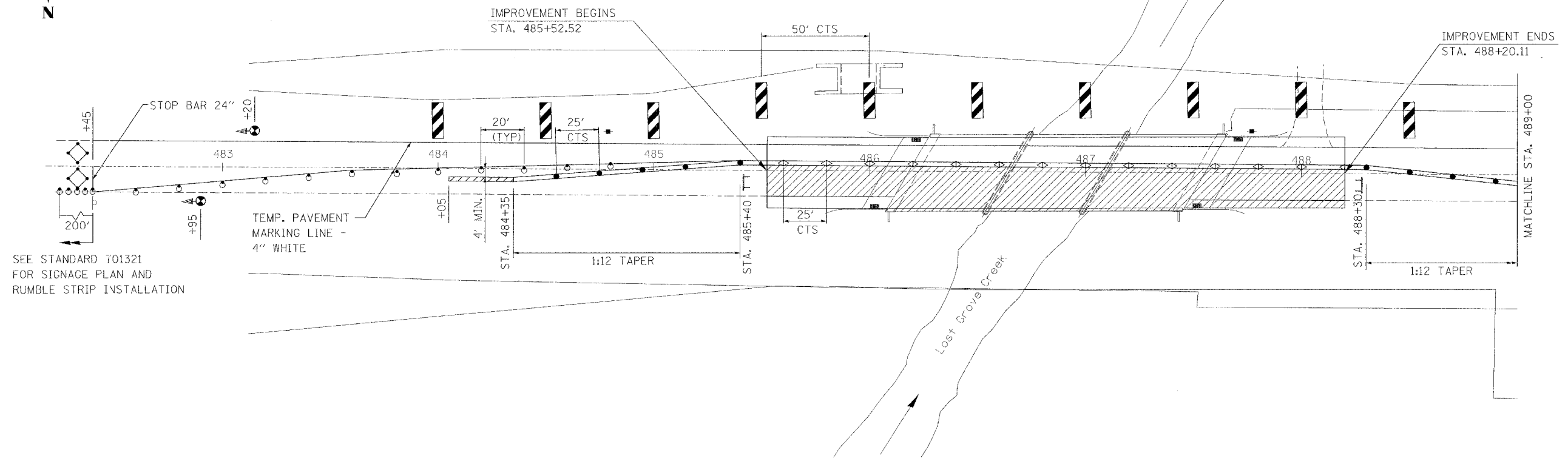
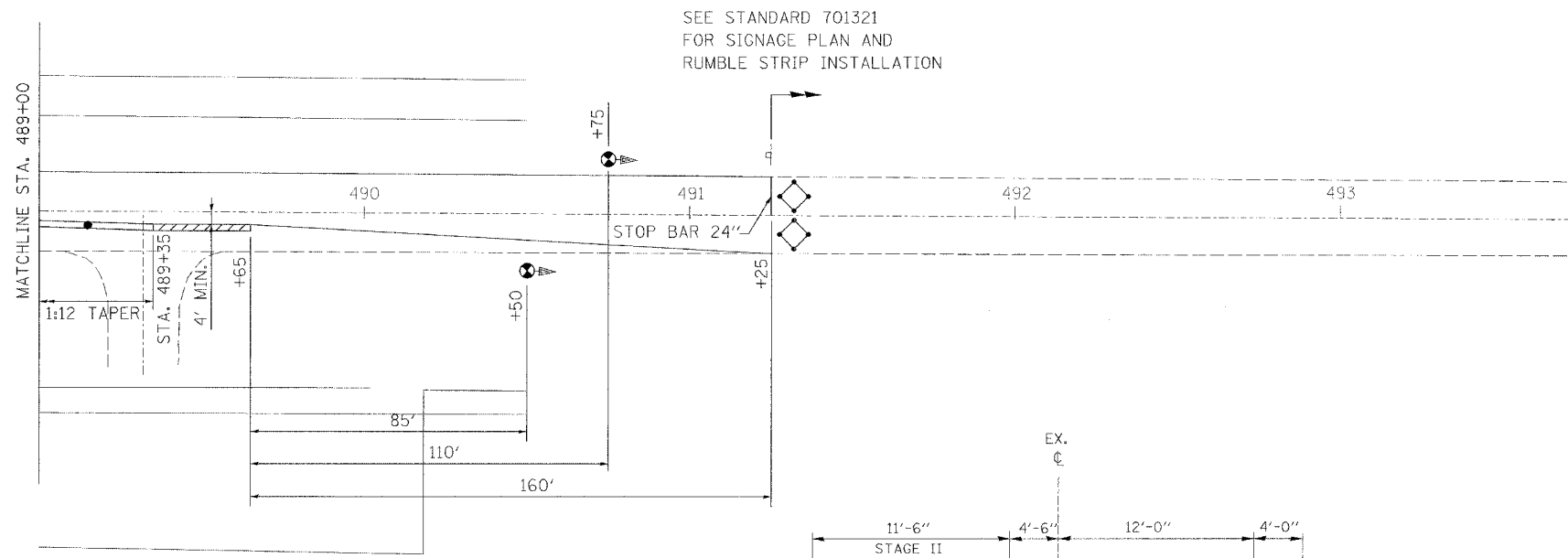


STAGE II TRAFFIC CONTROL

FAP ROUTE	SECTION	COUNTY	TOTAL SHEETS	SHEET NO.
685	(39BR)I	FULTON	22	8
STA. TO STA.		EXISTING CONDITIONS:		
		CONTRACT NO. 68497		



SEE STANDARD 701321 FOR SIGNAGE PLAN AND RUMBLE STRIP INSTALLATION



SEE STANDARD 701321 FOR SIGNAGE PLAN AND RUMBLE STRIP INSTALLATION

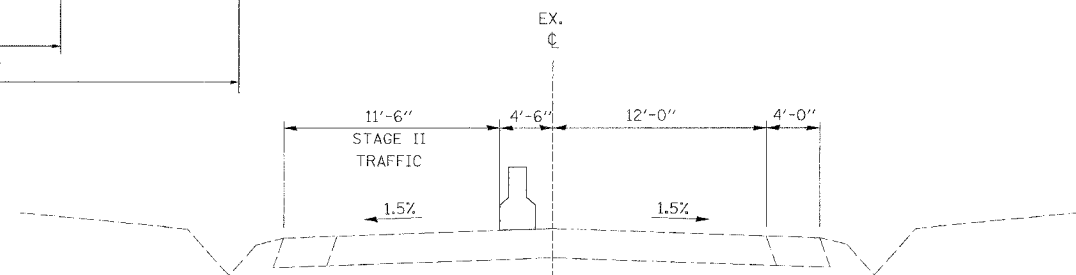
NOTES

TRAFFIC CONTROL SHALL CONFORM TO HIGHWAY STANDARD 701321.

CONTRACTOR TO ADJUST TRAFFIC CONTROL AS NECESSARY TO MAINTAIN ACCESS TO FIELD ENTRANCES.

SYMBOLS

- DRUM WITH STEADY BURNING LIGHT
- ▲ TRAFFIC SIGNAL
- INDUCTION LOOP DETECTOR
- ▨ DOUBLE VERTICAL PANEL
- ◇ TYPE C BIDIRECTIONAL REFLECTOR
- STEADY BURNING LIGHTS AND DOUBLE VERTICAL PANELS
- ▭ TEMPORARY CONCRETE BARRIER
- ▨ IMPACT ATTENUATOR TEMP., (FULLY REDIRECTIVE), TEST LEVEL 2
- ⊥ TYPE III BARRICADE
- ▨ WORK AREA



STAGE II TYPICAL SECTION
LOOKING WEST

REVISIONS	
NAME	DATE

ILLINOIS DEPARTMENT OF TRANSPORTATION
STAGE II TRAFFIC CONTROL
 STANDARD 701321
 FAP ROUTE 685
 SECTION (39BR)I
 FULTON COUNTY

SCALE: NONE
 DATE: 2/10/2006

DRAWN BY: KBF
 CHECKED BY: BWP

\$FILES\$
\$DATES\$