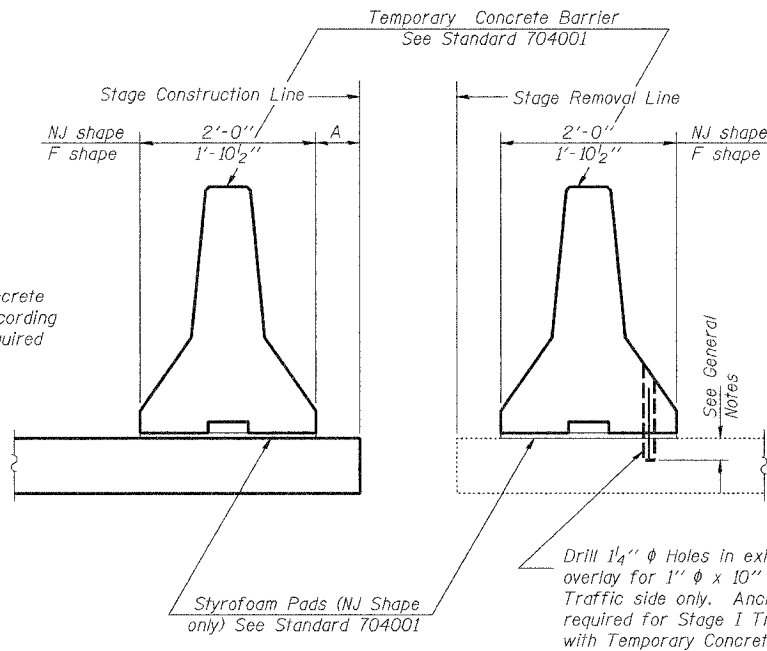


STATE OF ILLINOIS
DEPARTMENT OF TRANSPORTATION

ROUTE NO.	SECTION	COUNTY	TOTAL SHEETS	SHEET NO.	SHEET NO. 3
F.A.P. 685	(39BR)I	FULTON	22	12	13 SHEETS
FED. ROAD DIST. NO. 7	ILLINOIS	FED. AID PROJECT			

Contract # 68497



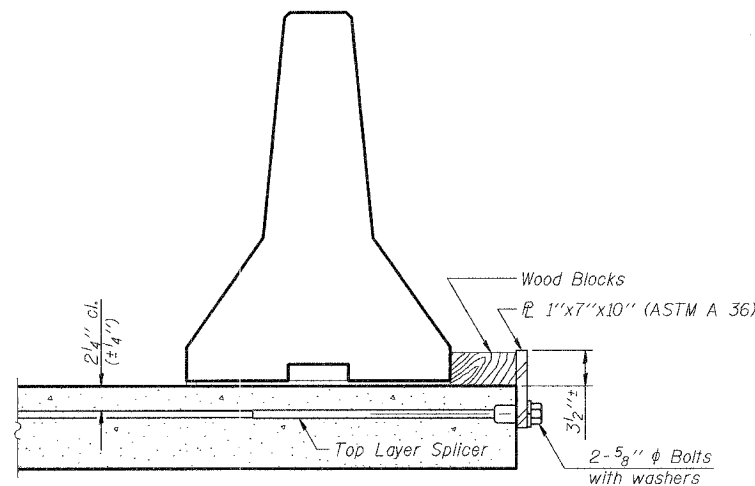
When "A" is 3'-6" or less, the temporary concrete barrier shall be anchored to the new slab according to Detail I or Detail II. No anchorage is required when "A" is greater than 3'-6".

NOTES

- Detail I - With Bar Splicer or Couplers:
Connect one (1) 1"x7"x10" steel \bar{P} to the top layer of couplers with 2-5/8" ϕ bolts screwed to coupler at approximate \bar{C} of each barrier panel.
- Detail II - With Extended Reinforcement Bars:
Connect one (1) 1"x7"x10" steel \bar{P} to the concrete slab with 2-5/8" ϕ Expansion Anchors or cast in place inserts spaced between the top layer of reinforcement at approximate \bar{C} of each barrier panel.
- Cost of anchorage is included with Temporary Concrete Barrier.

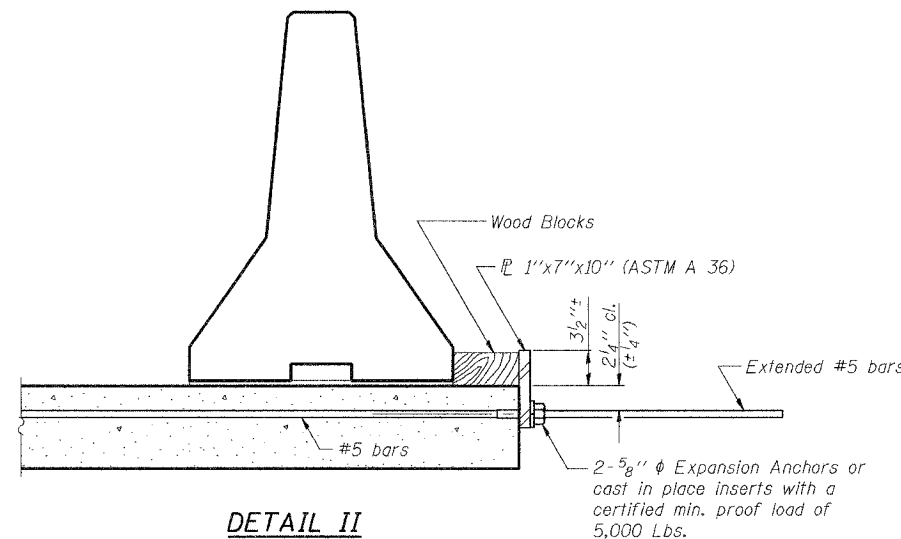
Drill 1/4" ϕ Holes in existing overlay for 1" ϕ x 10" dowel bars. Traffic side only. Anchors are only required for Stage I Traffic. Cost included with Temporary Concrete Barrier.

SECTIONS THRU SLAB



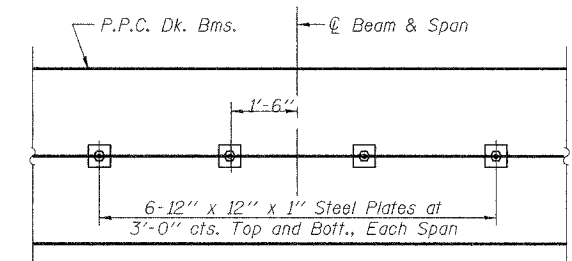
DETAIL I

The 1"x7"x10" Plate shall not be removed until Stage II Construction forms and reinforcement bars are in place.

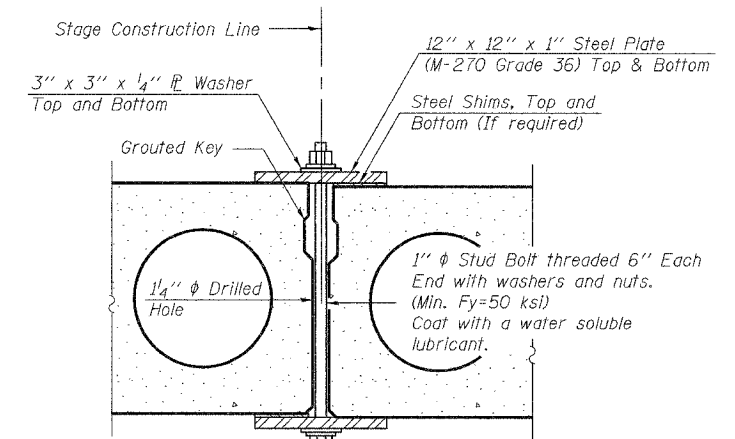


DETAIL II

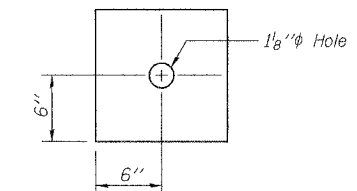
The 1"x7"x10" Plate shall not be removed until Stage II Construction forms and all reinforcement bars are in place and the concrete is ready to be placed.



PLAN



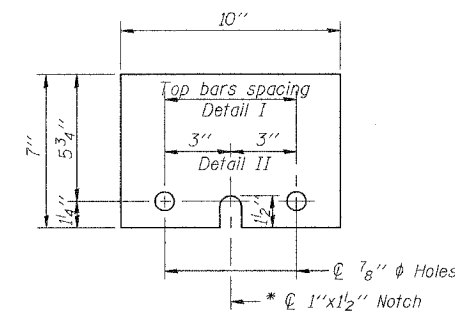
SECTION



CLAMPING PLATE

SHEAR KEY CLAMPING DETAILS AT STAGE CONST. JT.

See Special Provisions for Stage Construction of Precast Prestressed Concrete Deck Beams. Cost included with Precast Prestressed Concrete Deck Beams (21" Depth). See Stage Construction Details for traffic lanes.



1" x 7" x 10"

* Required only with Detail II

TEMPORARY CONCRETE BARRIER AND STAGE CONSTRUCTION DETAILS
ILLINOIS ROUTE 9 OVER LOST GROVE CREEK
F.A.P. ROUTE 685 SECTION (39BR)I
FULTON COUNTY
SN 029-0052

DESIGNED	BWP
CHECKED	KPC
DRAWN	BWP
CHECKED	KPC