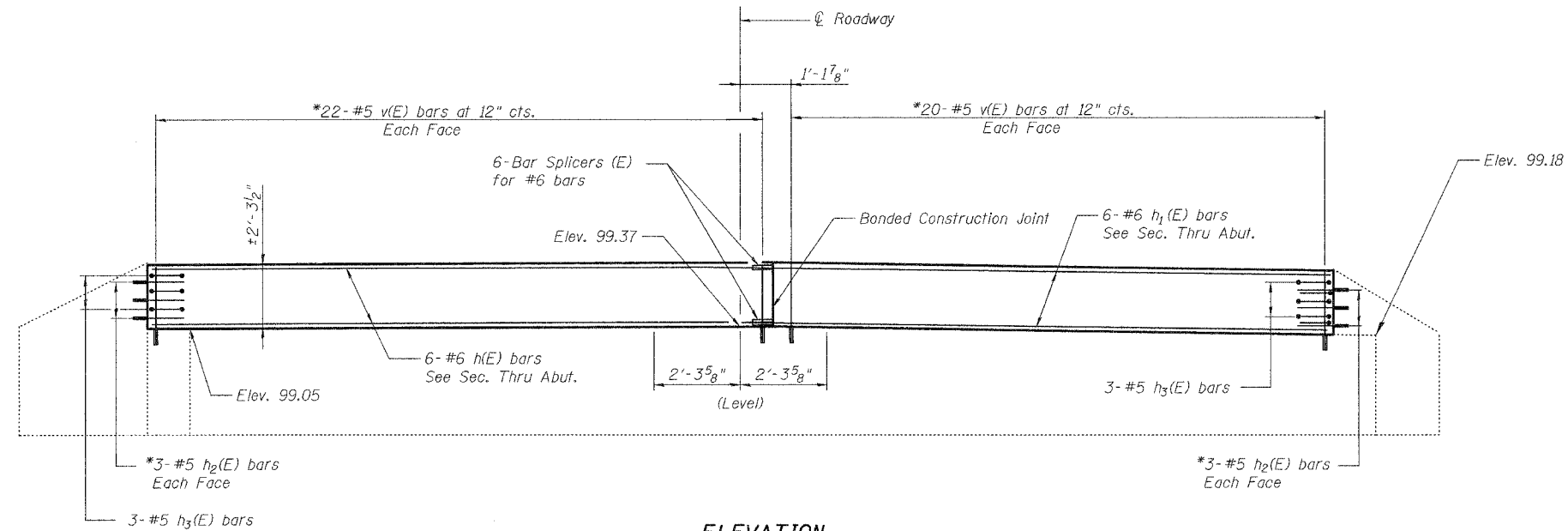
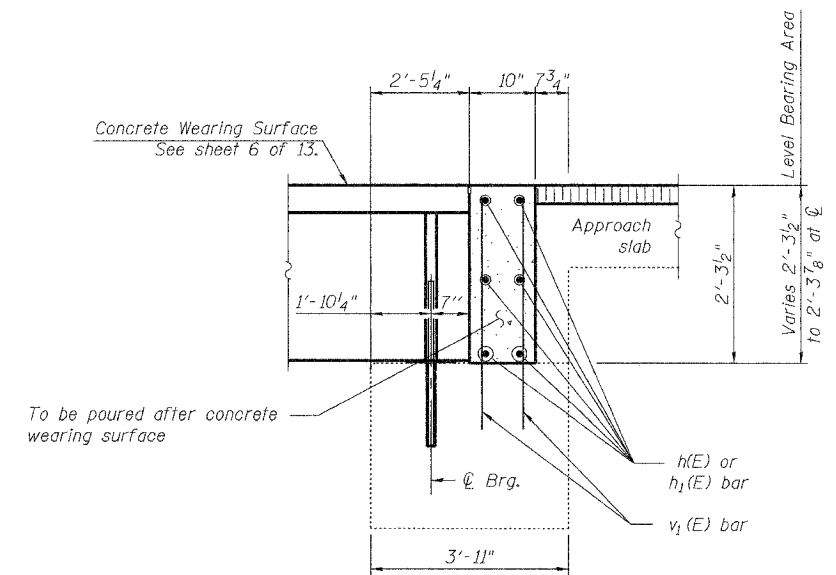


STATE OF ILLINOIS
DEPARTMENT OF TRANSPORTATION

ROUTE NO.	SECTION	COUNTY	SHEET NO.	SHEET NO.
F.A.P. 685	(39BR)I	FULTON	22	20
SHEET NO. 11				
13 SHEETS				
Contract # 68497				

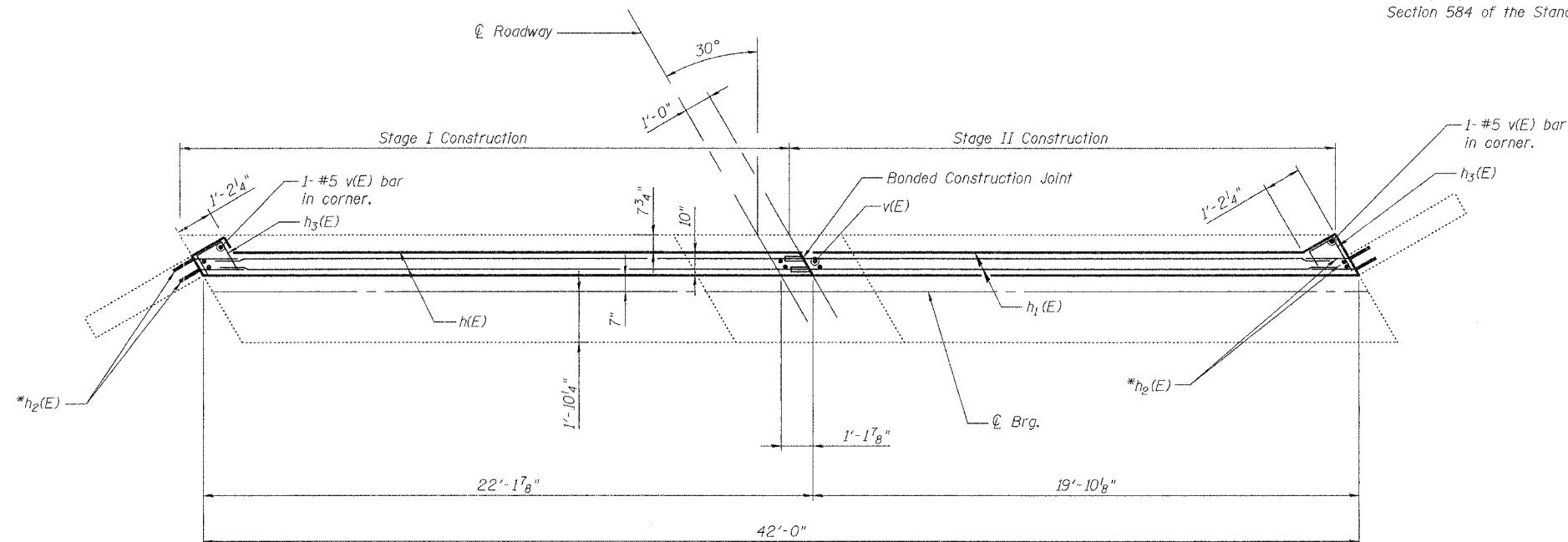


ELEVATION
(Looking West)

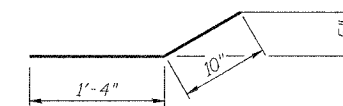


SECTION THRU WEST ABUTMENT

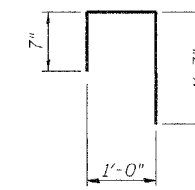
* Epoxy grout v(E) and h2(E) bars in 9" (Min.) drilled holes according to Section 584 of the Standard Specification



PLAN



BAR h2(E)



BAR h3(E)

BILL OF MATERIAL

Bar	No.	Size	Length	Shape
h(E)	6	#6	21'-8"	—
h1(E)	6	#6	19'-6"	—
h2(E)	12	#5	2'-2"	—
h3(E)	6	#5	2'-10"	└
v(E)	86	#5	2'-11"	—
Concrete Structures			Cu. Yd.	3.0
Reinforcement Bars, Epoxy Coated			Pound	680

WEST ABUTMENT
ILLINOIS ROUTE 9 OVER
LOST GROVE CREEK
F.A .P. ROUTE 685 SECTION (39BR)I
FULTON COUNTY
SN 029-0052

DESIGNED	BWP
CHECKED	KPC
DRAWN	BWP
CHECKED	KPC