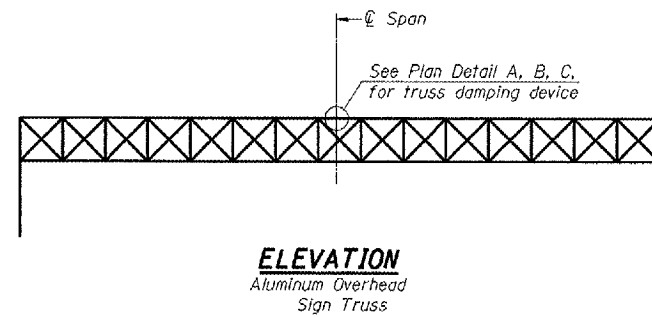
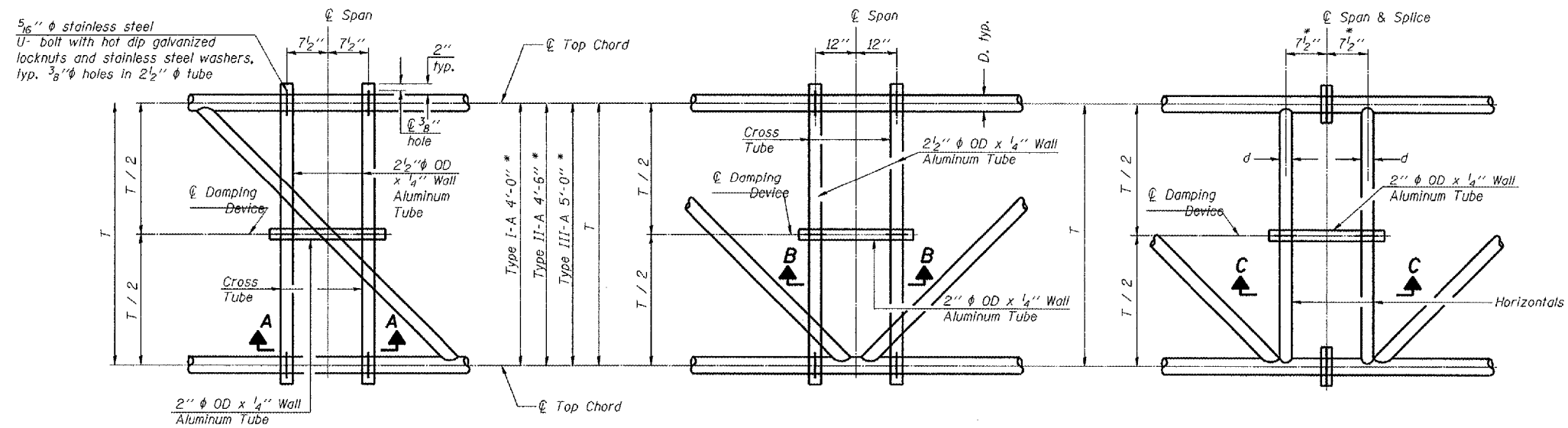
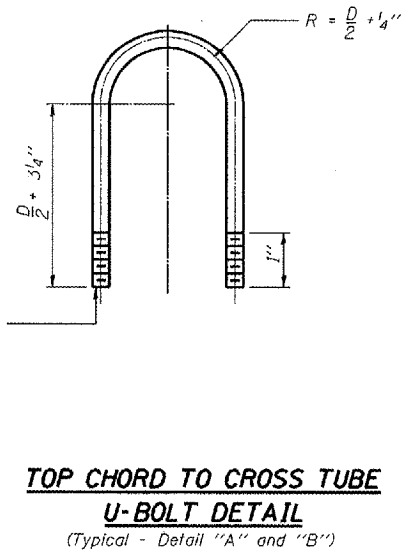
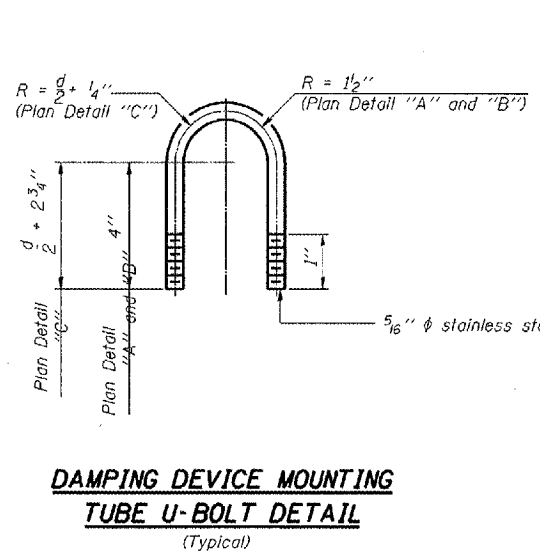
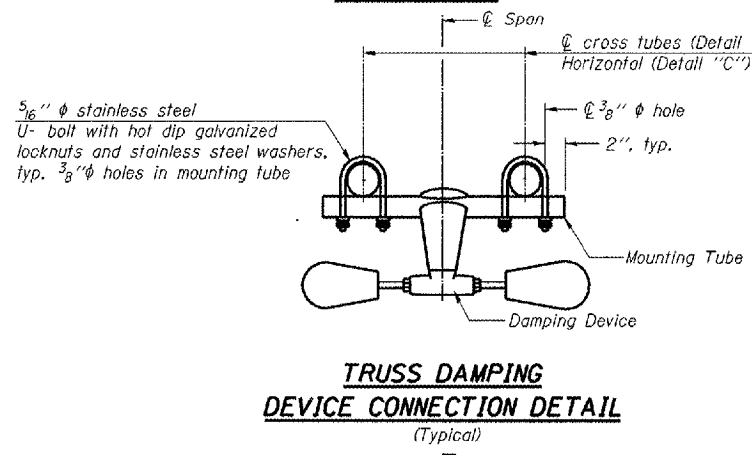
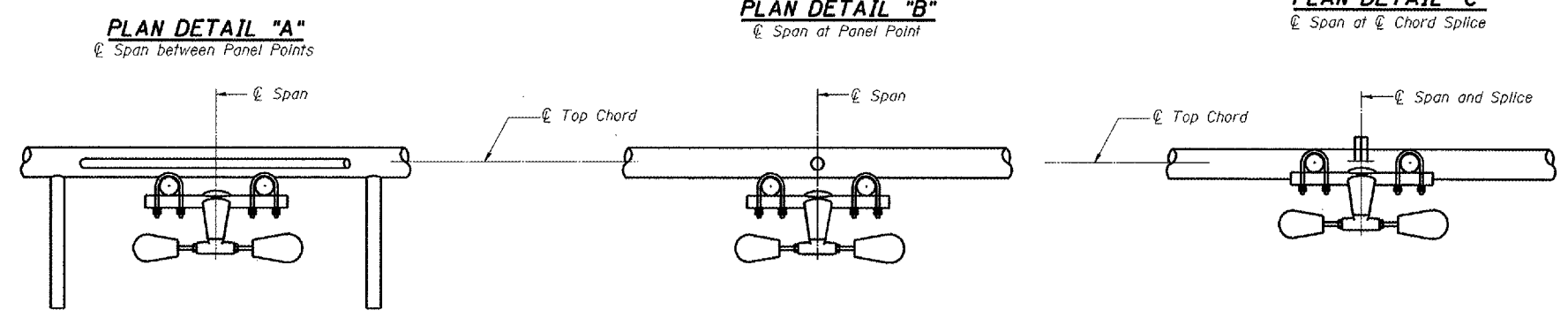


F.A. RTE.	SECTION	COUNTY	TOTAL SHEETS	SHEET NO.
VAR	D4 SIGN TRUSS REPAIR	KNOX	14	13
STA.	TO STA.			
FED. ROAD DIST. NO.	ILLINOIS	FED. AID PROJECT		

\* Center of horizontal to center of splice dimension may vary. Verify before drilling holes in mounting tube.



**NOTES**  
 Damper: One damper per truss. (31 lbs. Stockbridge-Type Aluminum)  
 Cost included in Overhead Sign Structure...  
 Materials: Aluminum tubes shall be ASTM B221 alloy 6061 temper T6. Cost included in Overhead Sign Structure...



**OVERHEAD SIGN STRUCTURE DAMPING DEVICE**

STRUCTURE # 4S048U034R007.5  
 STRUCTURE # 4S048U150L012.1

D4 SIGN TRUSS REPAIR 2006

PLOT DATE = 3/9/2006  
 FILE NAME = en:\projects\signing\signing\13.dgn  
 PLOT SCALE = 1:100 - 7/16  
 USER NAME = hector