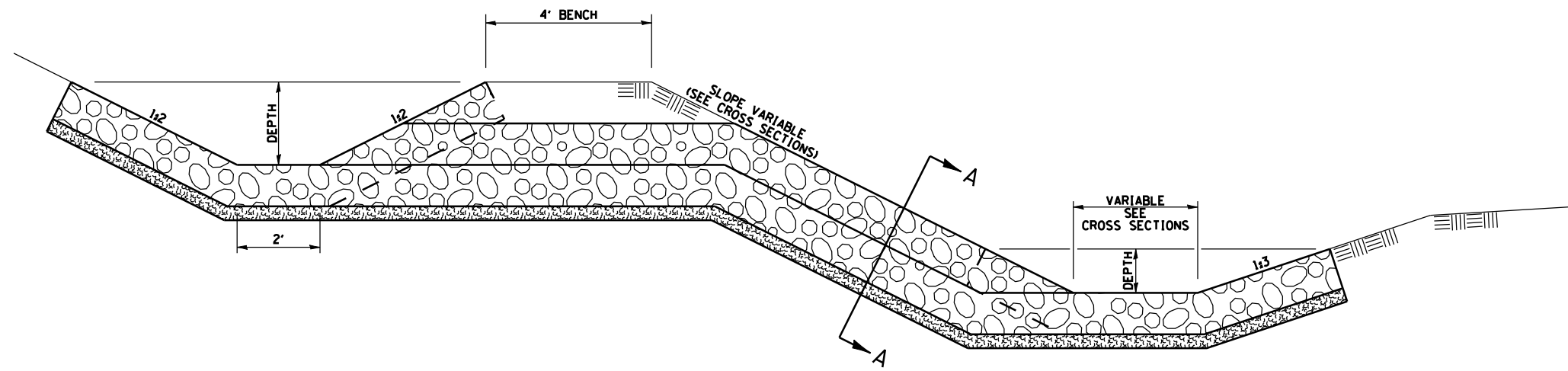
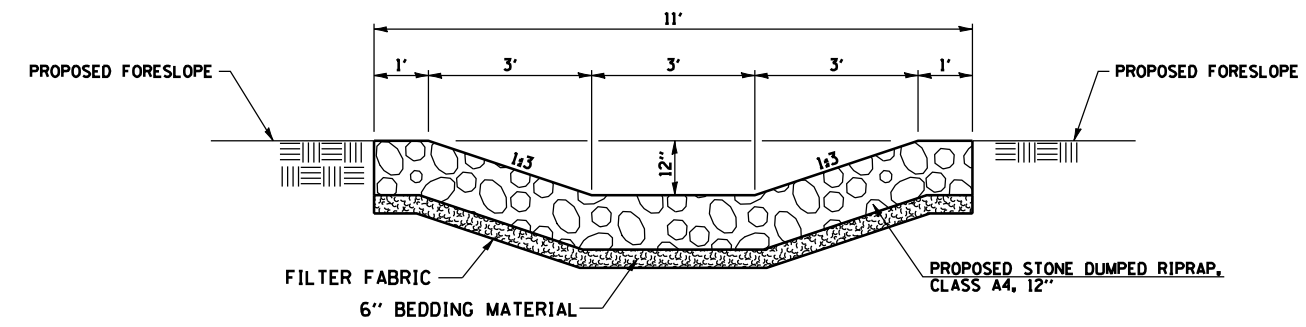


F.A.P. RTE.	SECTION	COUNTY	TOTAL SHEETS	SHEET NO.
215	34-4	HANCOCK	452	271
FED. ROAD DIST. NO.		ILLINOIS	FED. AID PROJECT	

D-98-591-02  
**CONTRACT NO. 72680**



**DETAIL OF BENCH OUTLET AND RIPRAP OUTLET SLOPE**



**SECTION A-A**

REVISIONS	
NAME	DATE

ILLINOIS DEPARTMENT OF TRANSPORTATION

**FAP ROUTE 315  
SPECIAL DETAILS  
BENCH OUTLET AND  
RIPRAP OUTLET SLOPE**

DRAWN BY JCG  
CHECKED BY JRB

DATE 1/31/06