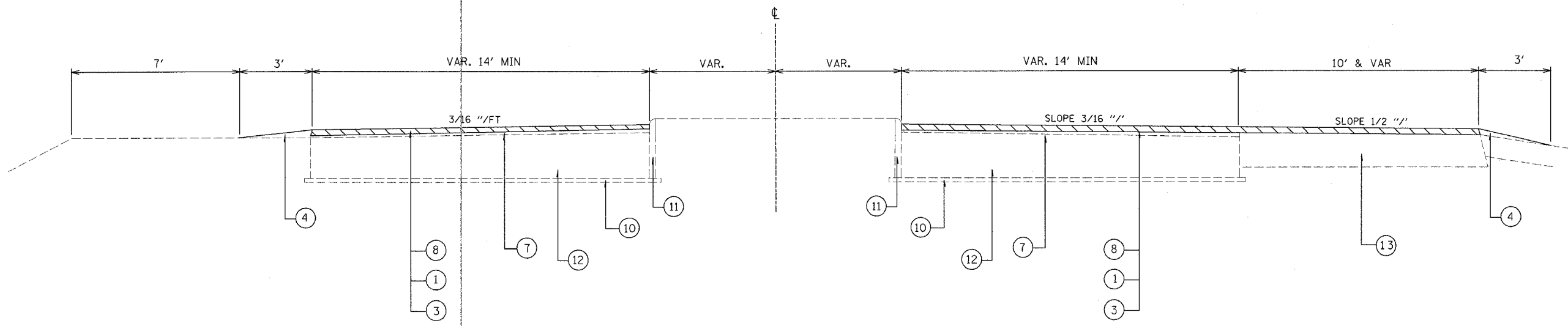
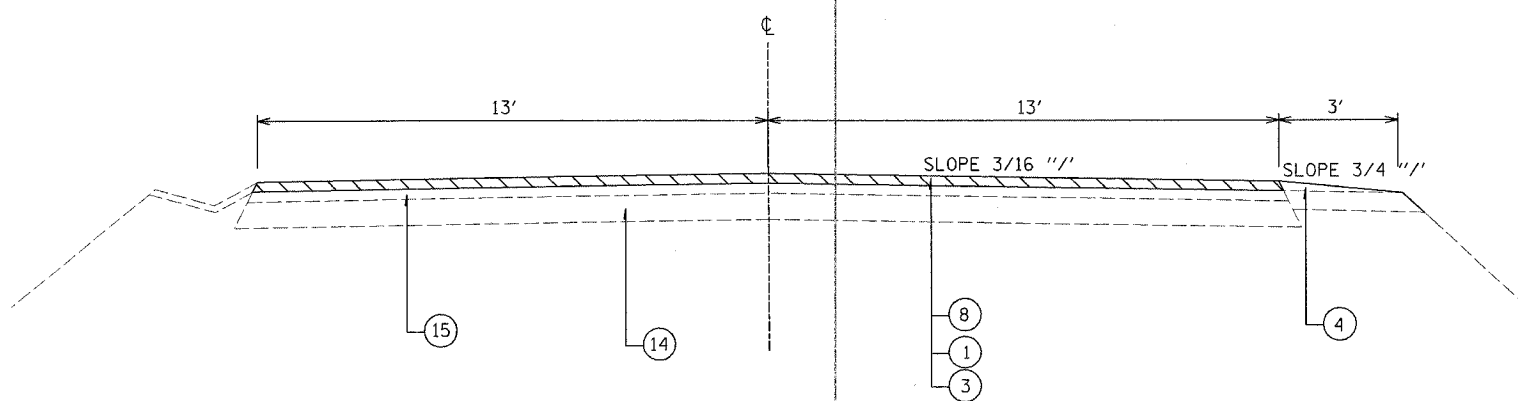


F.A.S. RTE.	SECTION	COUNTY	TOTAL SHEETS	SHEET NO.
1808	(DRS-2	LAWRENCE	15	4
STA.		TO STA.		
FED. ROAD DIST. NO.	ILLINOIS	FED. AID PROJECT		



70+72 TO 72+80



72+80 TO 84+10

- 1 BITUMINOUS CONCRETE SURFACE COURSE, SUPERPAVE, MIX "C", N50, 1 1/2"
- 2 BITUMINOUS SURFACE REMOVAL, (VARIABLE DEPTH)
- 3 BITUMINOUS SURFACE REMOVAL, 1 1/2"
- 4 AGGREGATE SHOULDERS, TYPE B
- 5 EXISTING CONCRETE PAVEMENT
- 6 EXISTING BITUMINOUS RESURFACING (NOT ALONG ENTIRE LENGTH)
- 7 EXISTING LEVELING BINDER (MACHINE METHOD), 1/2"
- 8 EXISTING BITUMINOUS CONCRETE SURFACE COURSE, MIX D, CLASS I, 1 1/2"
- 9 EXISTING BITUMINOUS CONCRETE WIDENING, 8"
- 10 EXISTING GRANULAR SUB-BASE
- 11 EXISTING CONCRETE CURB
- 12 EXISTING PCC PAVEMENT, 10"
- 13 EXISTING BITUMINOUS SHOULDERS, 8"
- 14 EXISTING BITUMINOUS BASE COURSE, 8"
- 15 BITUMINOUS CONCRETE BINDER COURSE, 1 1/2"
EXISTING

PLOT DATE = 10/14/2005
 FILE NAME = c:\p\projects\74058\ds0384p.dgn
 USER NAME = asoff@amk

REVISIONS	
NAME	DATE

ILLINOIS DEPARTMENT OF TRANSPORTATION

TYPICAL SECTIONS

SCALE: VERT. DATE HORIZ. DATE

DRAWN BY CHECKED BY