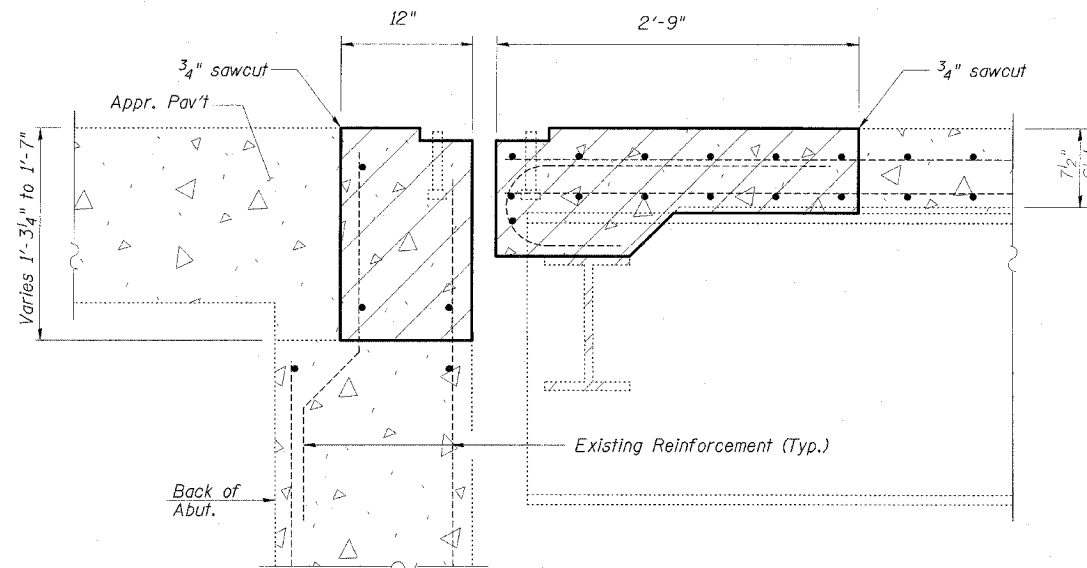


STATE OF ILLINOIS
DEPARTMENT OF TRANSPORTATION

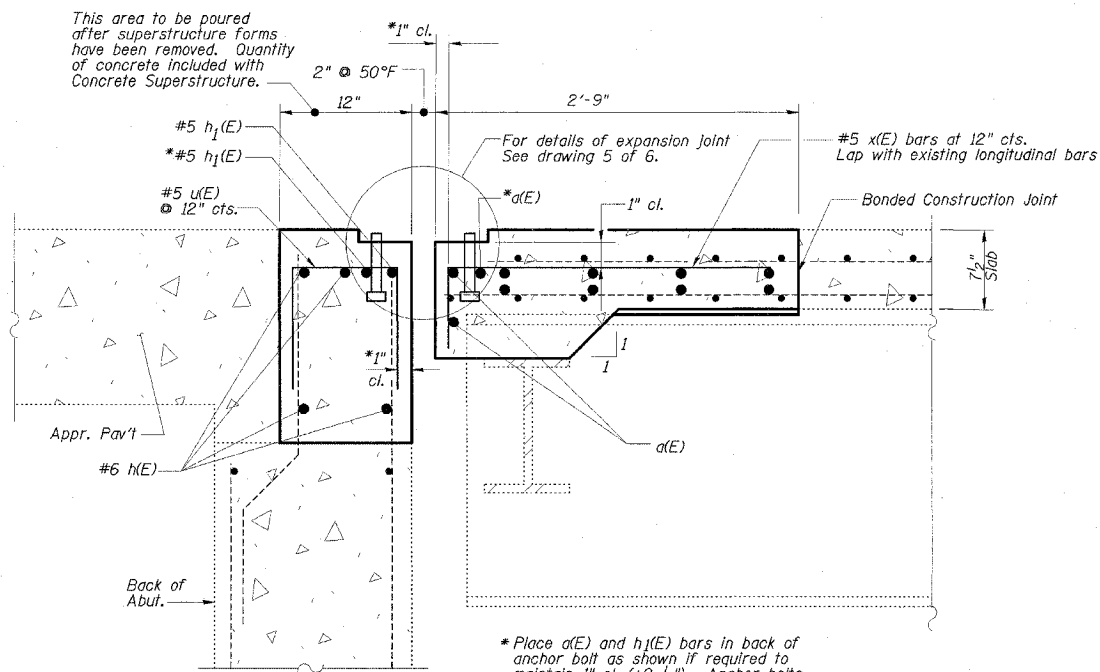
*D-7 JOINT REPAIRS 2006-3

ROUTE NO.	SECTION	COUNTY	TOTAL SHEETS	SHEET NO.
FAP 116	*	RICHLAND	31	22
STA.	TO STA.			
FED. ROAD DIST. NO.	ALIGNMENT	FED. AID PROJECT-		
DWG. NO. 4 OF 6				

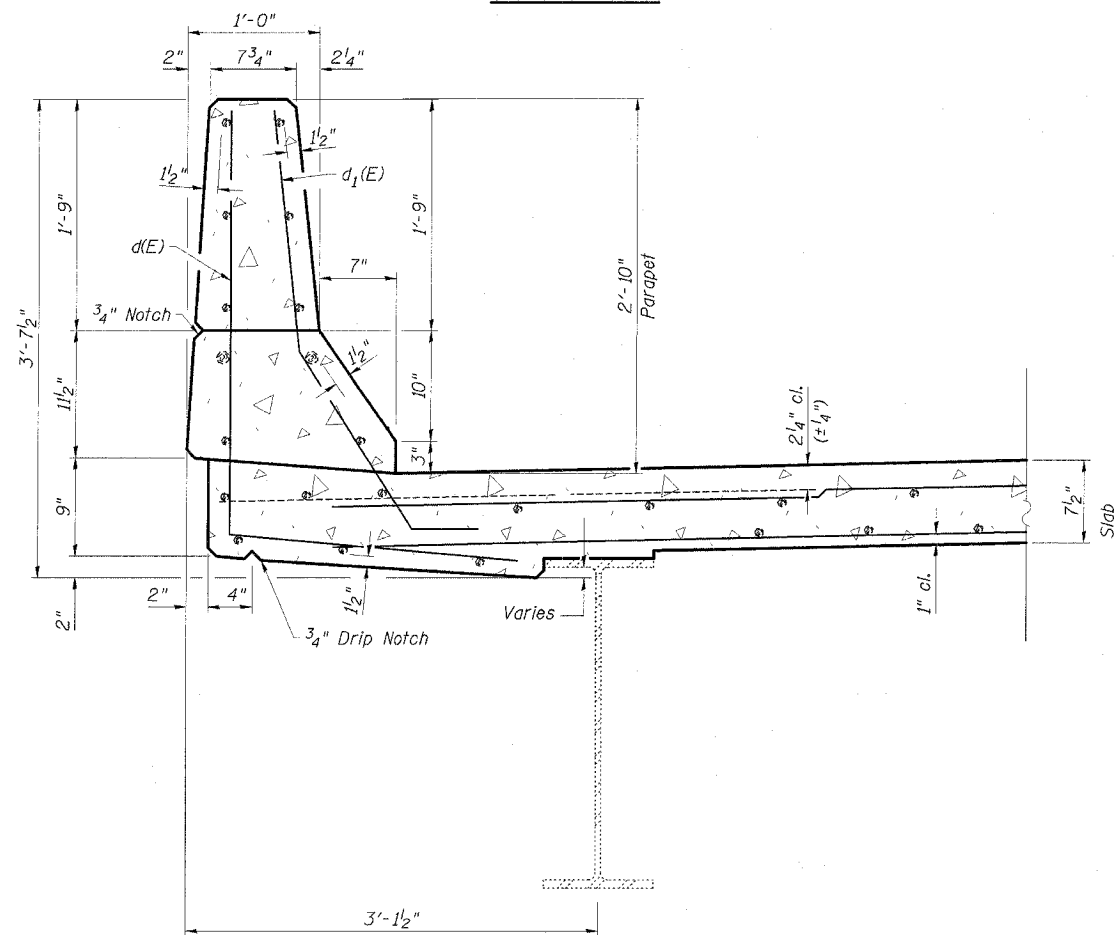
CONTRACT NO. 74120



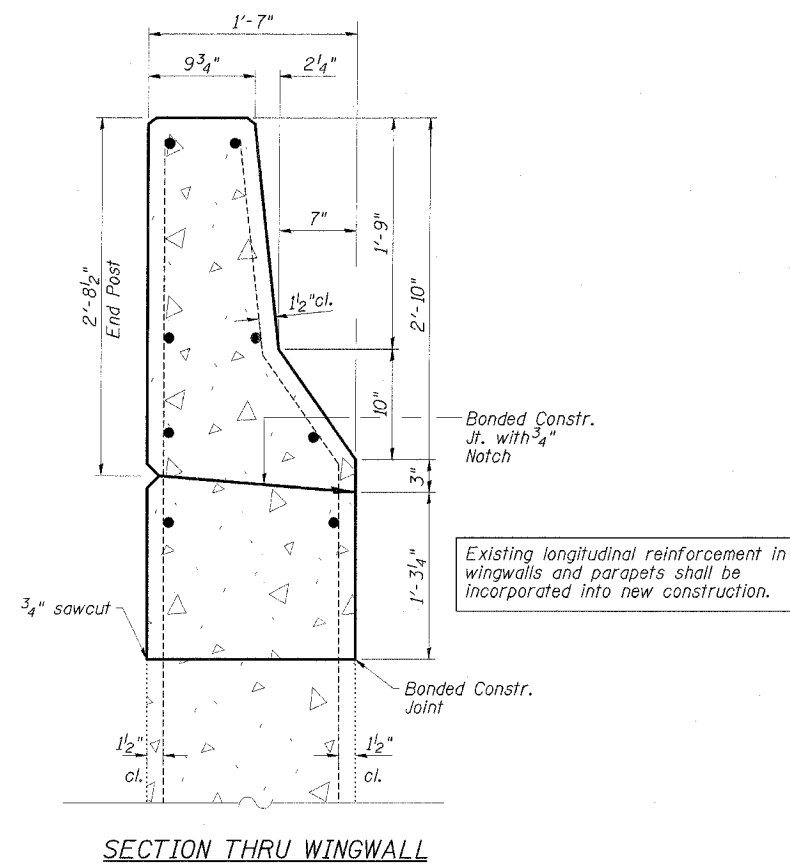
SECTION A-A



SECTION B-B



SECTION THRU PARAPET

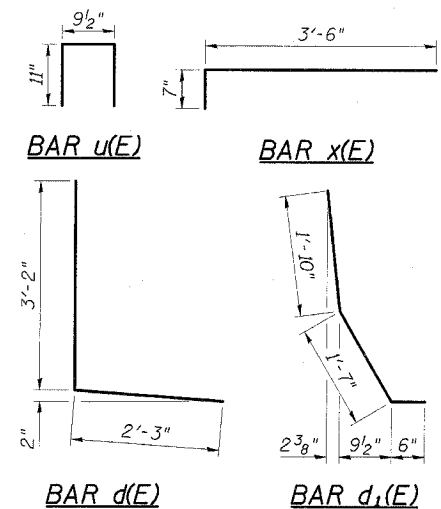


SECTION THRU WINGWALL

BILL OF MATERIAL

Bar	No.	Size	Length	Shape
d(E)	40	#5	25'-4"	—
d1(E)	16	#4	5'-5"	L
d1(E)	16	#5	3'-11"	L
h(E)	16	#6	25'-4"	—
h1(E)	4	#5	25'-4"	—
u(E)	100	#5	2'-7 1/2"	□
x(E)	72	#5	4'-1"	└
Reinforcement Bars, Epoxy Coated		Pound	2475	
Concrete Superstructure		Cu. Yds.	17.8	

Reinforcement bars designated (E) shall be epoxy coated.



EXPANSION JOINT REPLACEMENT DETAILS
IL 130 OVER LONG BRANCH CREEK
FAP RTE 116 (IL 130)
D-7 JOINT REPAIRS 2006-3
RICHLAND COUNTY
STATION 745+75.00
STRUCTURE NO. 080-0021

ESCA
CONSULTANTS, INC.
DESIGNED BY: MTD 11/05
DRAWN BY: HAG 11/05
CHECKED BY: MTD 11/05
APPROVED BY: RDP 1/06