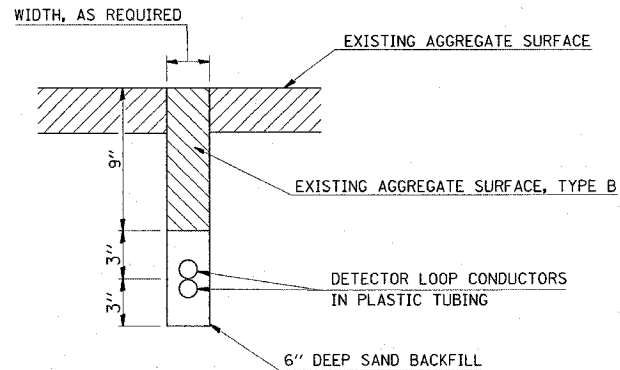


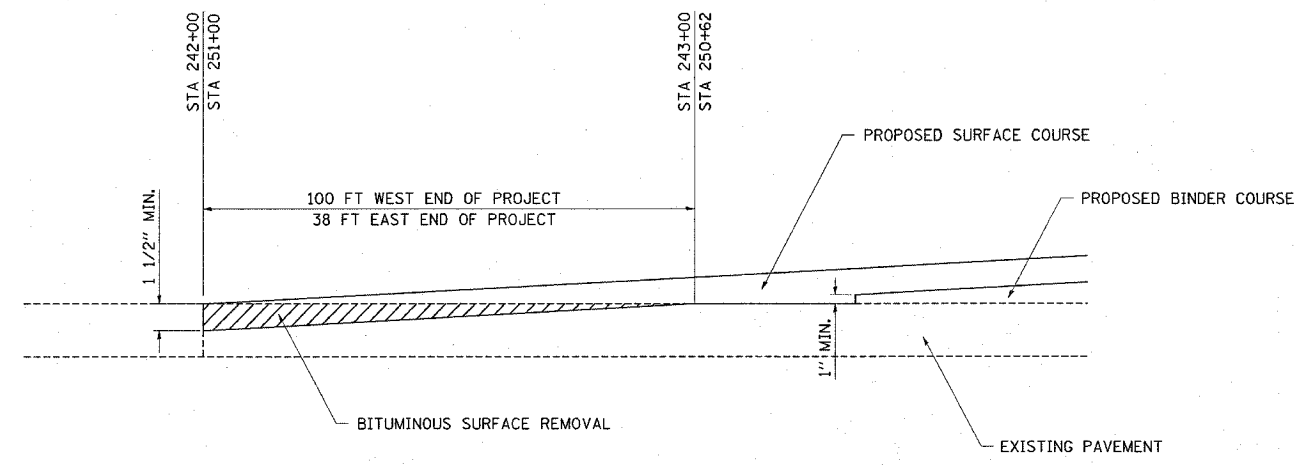
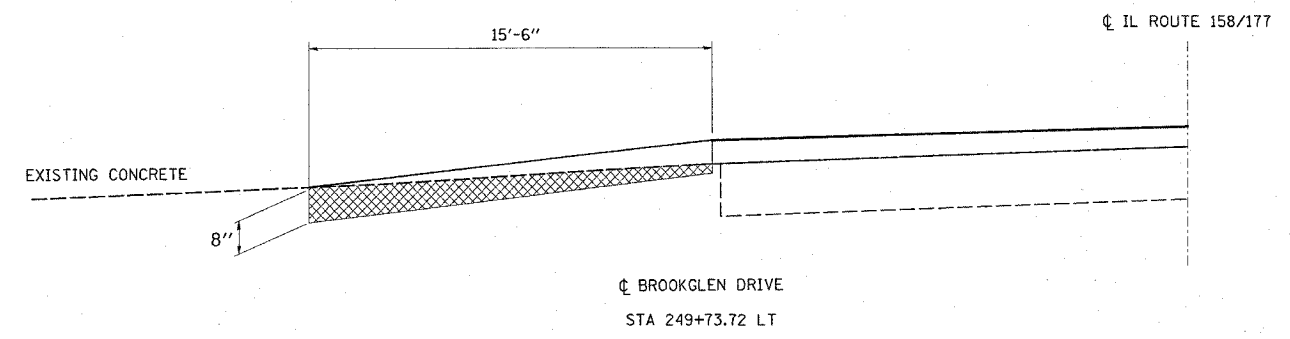
F.A.U. RTE.	SECTION	COUNTY	TOTAL SHEETS	SHEET NO.
9251	28-3BR-1	ST. CLAIR	101	20
STA.		TO STA.		
FED. ROAD DIST. NO.		ILLINOIS	FED. AID PROJECT	



DETAIL
DETECTOR LOOP INSTALLED IN TRENCH

INSTALLATION IS TO BE DONE IN CONFORMANCE WITH THE REQUIREMENTS OF THE PLANS AND SECTION 886 OF THE STANDARD SPECIFICATIONS WITH THE FOLLOWING EXCEPTIONS:

1. SLOTS ARE TO BE TRENCHED INSTEAD OF SAWED.
2. THIS WORK SHALL NOT BE PAID FOR SEPERATELY BUT SHALL BE INCLUDED IN THE COST OF TEMPORARY BRIDGE TRAFFIC SIGNALS - 1 EACH.



BUTT JOINT DETAIL
SN 082-0057(E) 0398(P)

PLOT DATE = 3/9/2006
FILE NAME = c:\projects\edl2408\plan\01n054.dgn
PLOT SCALE = 50.000 / IN.
REFERENCE = #REF#

REVISIONS	
NAME	DATE

ILLINOIS DEPARTMENT OF TRANSPORTATION
MISCELLANEOUS DETAILS
FAU ROUTE 9251
SECTION 28-3BR-1
ST. CLAIR COUNTY
SN 082-0057(E) 0398(P)