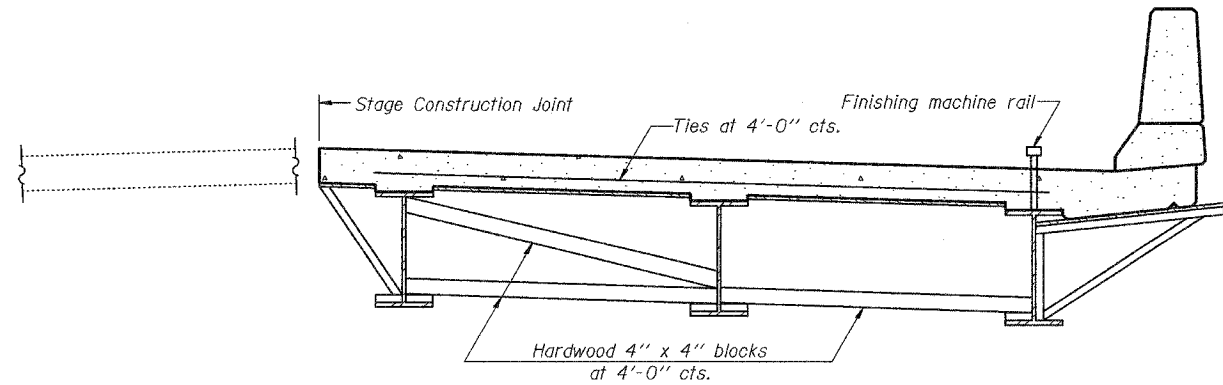


STATE OF ILLINOIS
DEPARTMENT OF TRANSPORTATION

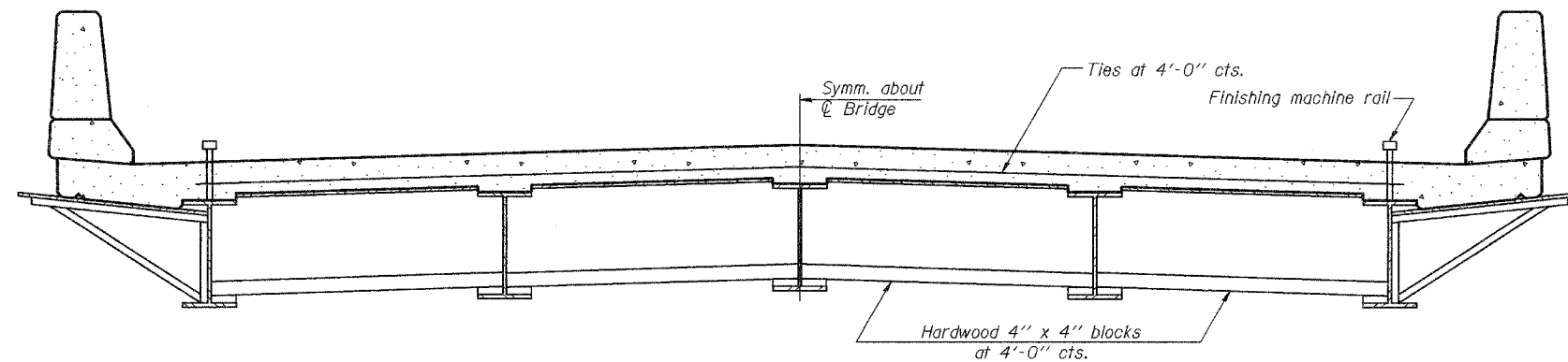
ROUTE NO.	SECTION	COUNTY	SHEET NO.	SHEET	SHEET NO. 17
F.A.U. 9251	28-3 BR-1	ST. CLAIR	101	40	18 SHEETS
FED. ROAD DIST. NO. 7	ILLINOIS	FED. AID PROJECT-			

Contract #76394



FORM BRACES FOR
STAGE CONSTRUCTION

When cantilever forming brackets are used, the work shall be done according to Article 503.06, except as modified below and in the details shown on this sheet.
The finishing machine rails shall be placed on the top flange of the exterior beams.
The beams, supporting cantilever forming brackets, shall be tied together at 4 foot intervals.
For Standard construction, or Stage Construction the Hardwood bracing materials shall be placed as shown between webs of beams in each bay.



FORM BRACES FOR
STANDARD CONSTRUCTION

DESIGNED	Rebecca Tharp
CHECKED	Curt Evoy
DRAWN	R. Sommer
CHECKED	RLT/CME

	March 16, 2006
EXAMINED	Thomas J. Domagalaki
PASSED	Ralph E. Anderson

SB-1 10-22-04

CANTILEVER FORMING BRACKETS
FOR SUPERSTRUCTURES WITH
W27 BEAMS AND SMALLER
F.A.U. ROUTE 9251 - SECTION 28-3BR-1
ST. CLAIR COUNTY
STATION 246+33.80
STRUCTURE NO. 082-0398