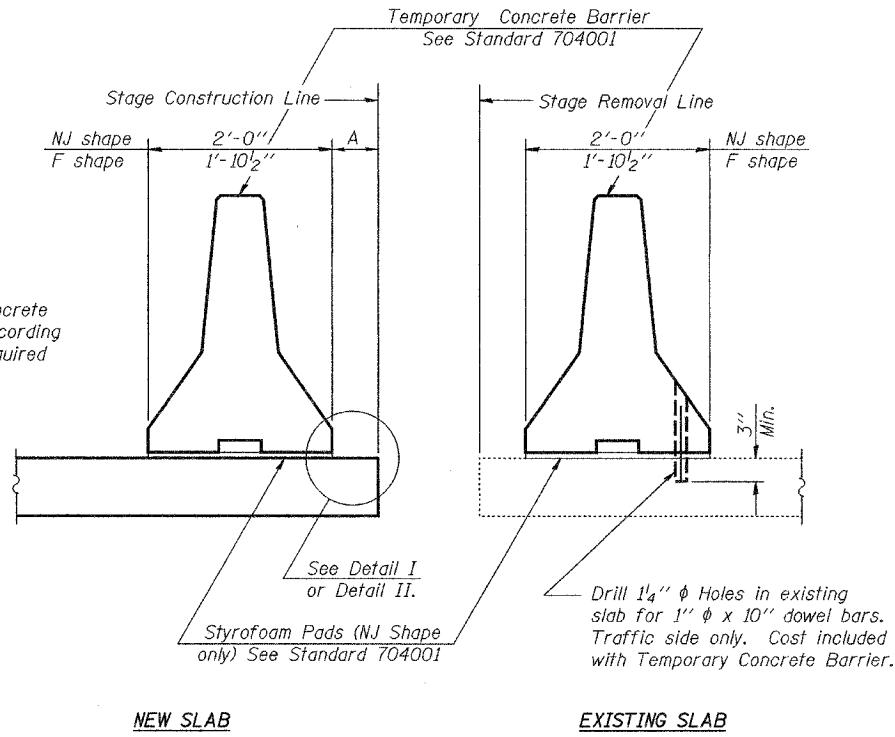


STATE OF ILLINOIS
DEPARTMENT OF TRANSPORTATION

ROUTE NO.	SECTION	COUNTY	TOTAL SHEETS	SHEET NO.
F.A.S. 1848	28-4BR	ST. CLAIR	101	71
FED. ROAD DIST. NO. 7	ILLINOIS	FED. AID PROJECT-		

Contract #76394

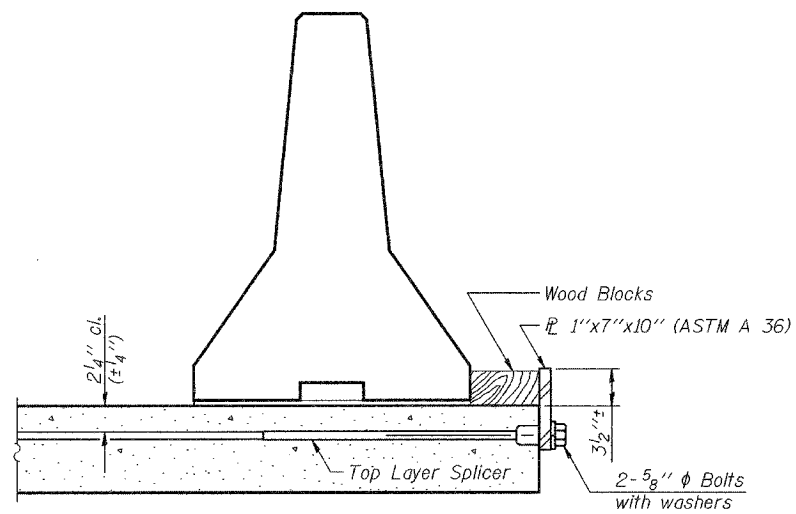
SHEET NO. 4
22 SHEETS



SECTION THRU SLAB

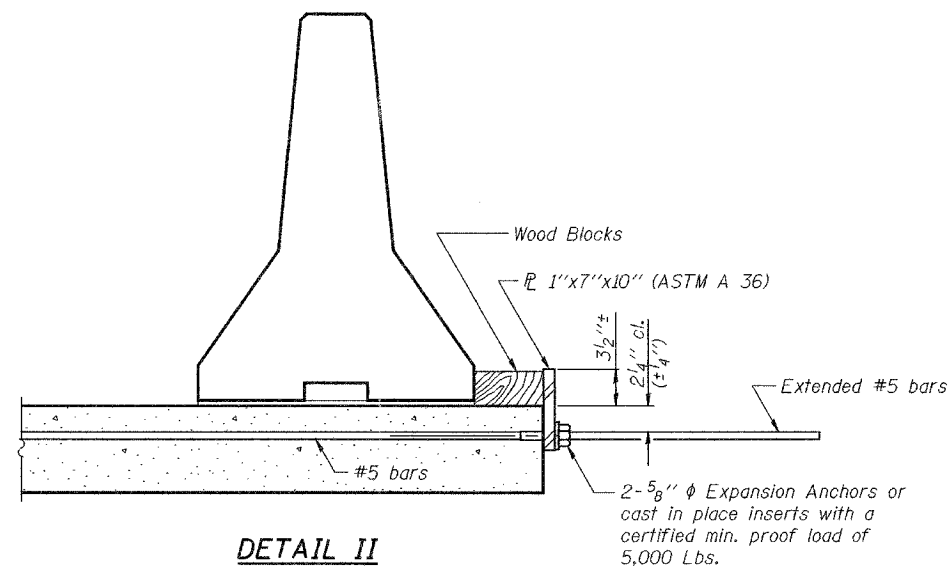
NOTES

- Detail I - With Bar Splicer or Couplers:
Connect one (1) 1"x7"x10" steel \bar{L} to the top layer of couplers with 2-5/8" ϕ bolts screwed to coupler at approximate \bar{C} of each barrier panel.
- Detail II - With Extended Reinforcement Bars:
Connect one (1) 1"x7"x10" steel \bar{L} to the concrete slab with 2-5/8" ϕ Expansion Anchors or cast in place inserts spaced between the top layer of reinforcement at approximate \bar{C} of each barrier panel.
- Cost of anchorage is included with Temporary Concrete Barrier.



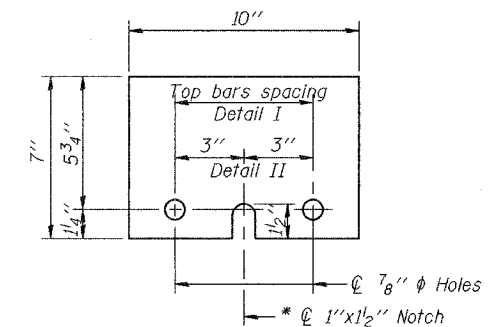
DETAIL I

The 1"x7"x10" Plate shall not be removed until Stage II Construction forms and reinforcement bars are in place.



DETAIL II

The 1"x7"x10" Plate shall not be removed until Stage II Construction forms and all reinforcement bars are in place and the concrete is ready to be placed.



1"x7"x10"

* Required only with Detail II

DESIGNED	M.D. Cima
CHECKED	R.J.C.
DRAWN	W.D. Collins
CHECKED	M.D.C. R.J.C.

EXAMINED	March 17, 2006	Thomas J. Damagalki
PASSED		Ralph E. Anderson

R-27

10-22-04

TEMPORARY CONCRETE BARRIER
FOR STAGE CONSTRUCTION
F.A.S. ROUTE 1848 - SECTION 28-4BR
ST. CLAIR COUNTY
STATION 356+18.50
STRUCTURE NO. 082-0272